



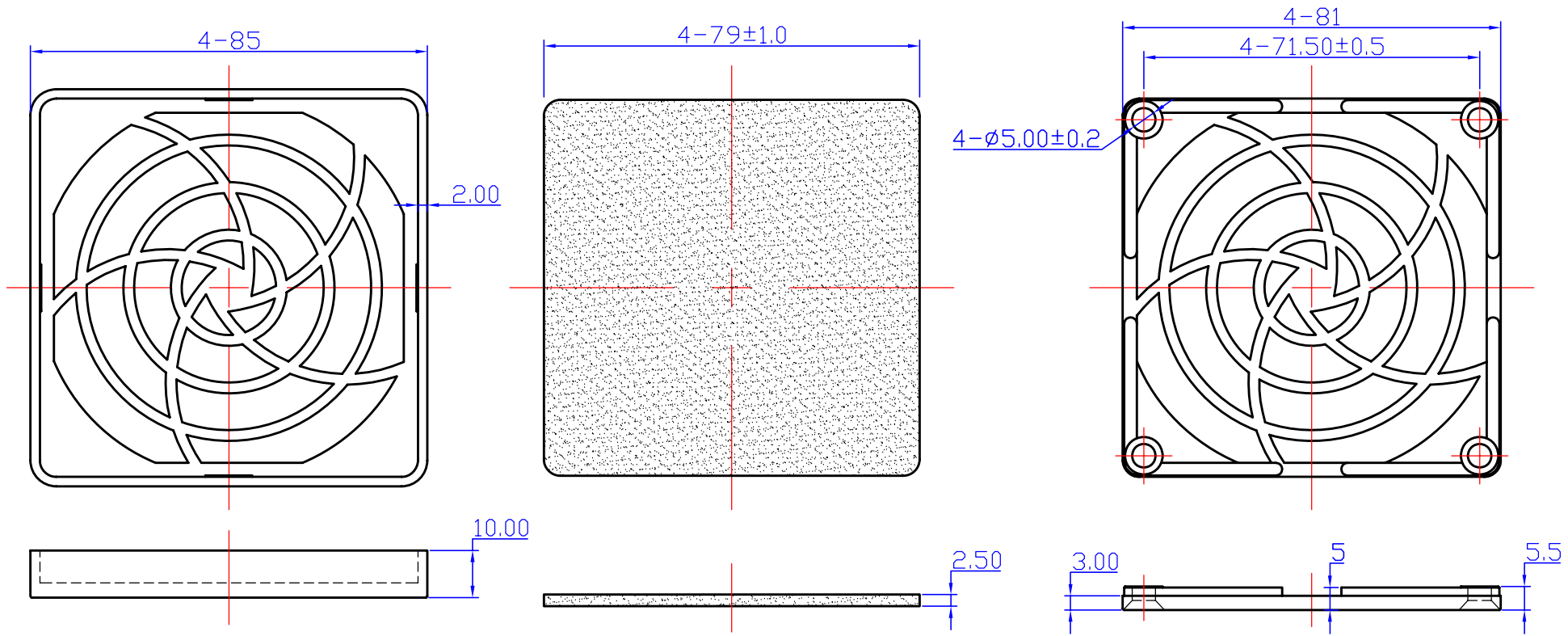
HESTORE.HU

elektronikai alkatrész áruház

EN: This Datasheet is presented by the manufacturer.

Please visit our website for pricing and availability at www.hestore.hu.

EDITION	DATE	REVISION RECORD	REVISION NO.	APPROVED



NOTES:

FAN GUARD MATERIAL : ABS-757.
 FILTER DENSITY : PPI 30、35、40、45.
 GENERAL TOLERANCE UNLESS NOTED : ±0.5
 UNIT : mm.

DO NOT SCALE DRAWING			⊕	≡	CUSTOMER PART NO.	
DRAWN BY	CHECKED	APPROVED	SCALE		TME PART NO.	FG-24
			DRAWING DATE		MATERIAL	SEE NOTES
			2007.8.15		FINISH	SEE NOTES