



HESTORE.HU

elektronikai alkatrész áruház

EN: This Datasheet is presented by the manufacturer.

Please visit our website for pricing and availability at www.hestore.hu.

VARISTOR



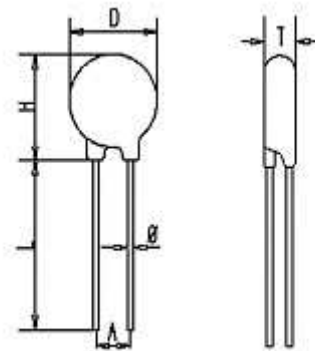
VAR7 Series

VAR7 Series varistors Size (mm)

Dmax	9
Hmax	11
Lmin	25
A±1	5
±0.02	0.6

VAR7 Series varistor thickness T_{max}(mm)

VAR7-14 – VAR7-130	5.0
VAR7-150	5.5
VAR7-250 – VAR7-300	6.0
VAR7-420	7.0



Part No.	Varistor Voltage	Max.Allowable Voltage		Max.Clamping Voltage (8/20μS)		Energy (J)		Peak Current (8/20μS)		Rated Wattage (W)	Capacitance 1kHz (pF)
	V1mA (v)	Acrms (v)	DC (v)	Vc (v)	Ip (A)	10/1000 μS	2ms	1time (kA)	2times (kA)		
VAR7-14	20-24	14	18	43	2.5	1.3	1.1	0.5	0.25	0.02	2,800
VAR7-20	30-36	20	26	65	2.5	2.0	1.6	0.5	0.25	0.02	1,800
VAR7-25	35-43	25	31	77	2.5	2.4	1.9	0.5	0.25	0.02	1,450
VAR7-30	42-52	30	38	93	2.5	2.8	2.3	0.5	0.25	0.02	1,150
VAR7-60	74-90	50	65	135	10	7.0	5.0	1.75	1.25	0.25	930
VAR7-130	185-225	130	170	340	10	18	13	1.75	1.25	0.25	240
VAR7-150	216-264	150	200	395	10	21	15	1.75	1.25	0.25	165
VAR7-250	351-429	250	320	650	10	35	25	1.75	1.25	0.25	105
VAR7-275	387-473	275	350	710	10	40	28	1.75	1.25	0.25	100
VAR7-300	423-517	300	385	775	10	42	30	1.75	1.25	0.25	90
VAR7-420	612-748	420	560	1120	10	53	40	1.75	1.25	0.25	60