

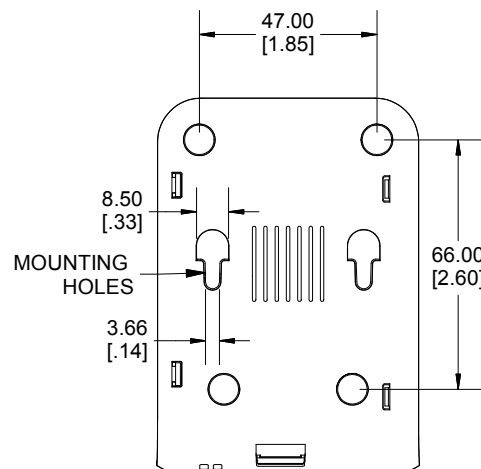
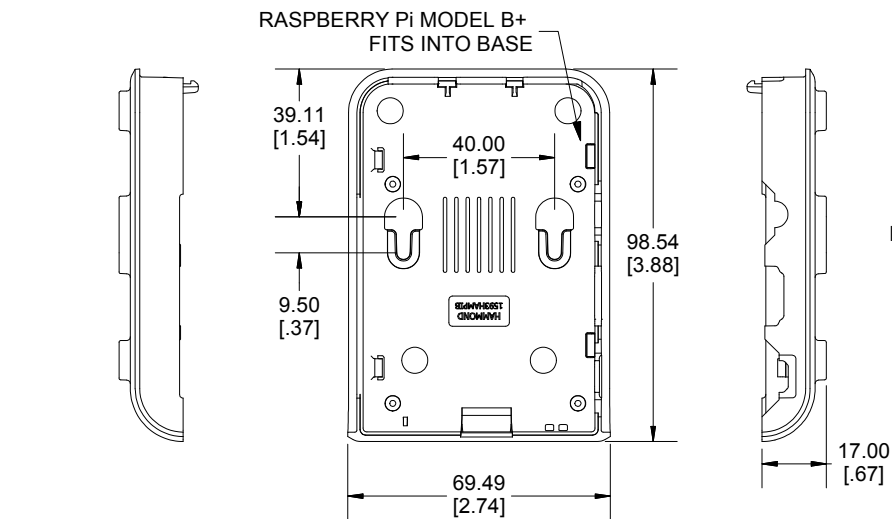
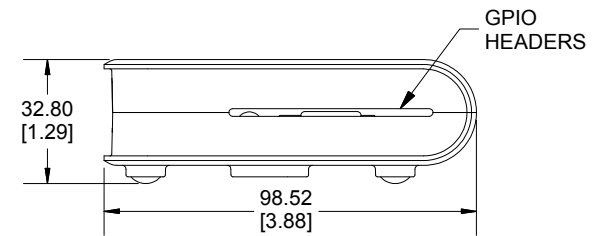
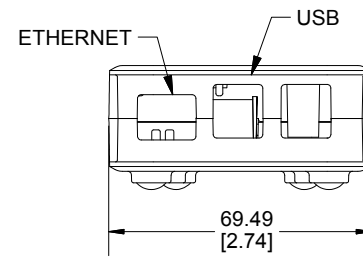
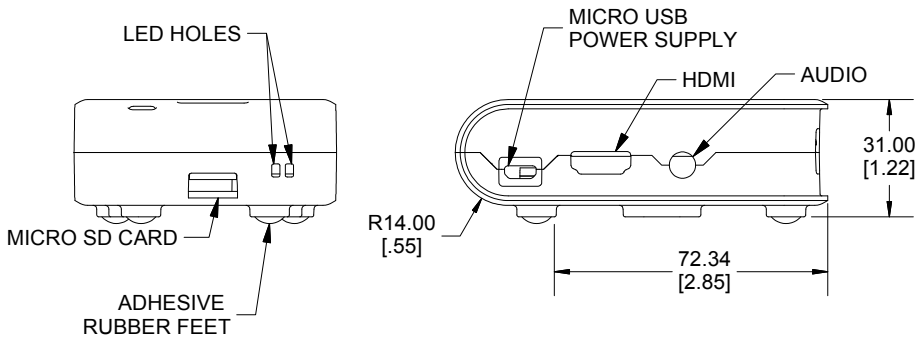
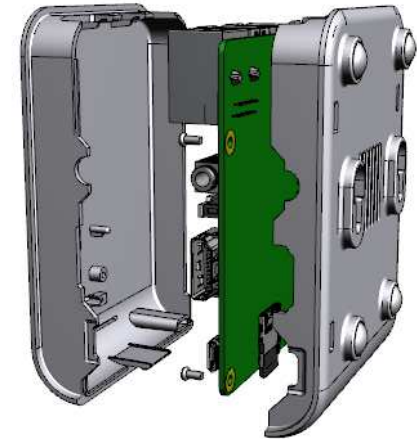
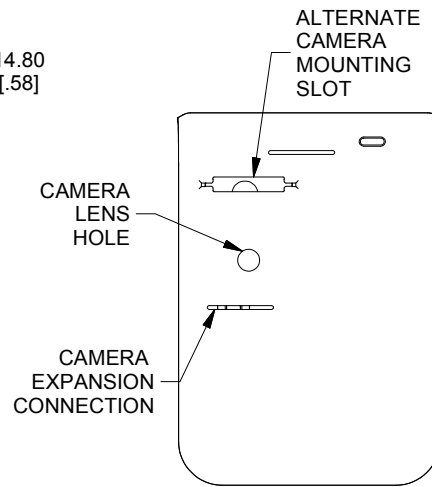
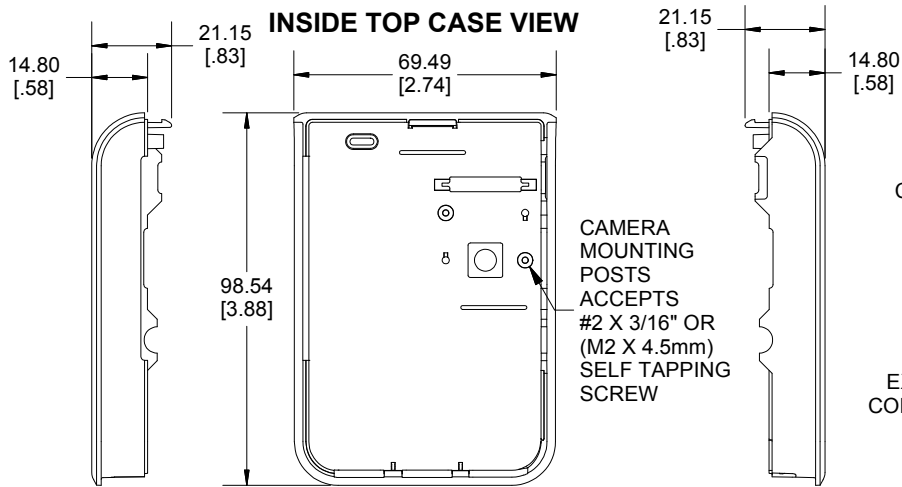


HESTORE.HU

elektronikai alkatrész áruház

EN: This Datasheet is presented by the manufacturer.

Please visit our website for pricing and availability at www.hestore.hu.



Enclosures can be Factory Modified (Milling, Drilling, Printing etc.)
 Contact Factory mjm@hammondmfg.com for quotes
 Solid models of this enclosure available in STEP or IGES.

NOTE
 Purchased assembly includes top and bottom, 6 screw, 4 rubber feet, (Development Board is not included)

PART NUMBERS	
1593HAMPI3 Enclosure	
Black Enclosure	1593HAMPI3BK
Grey Enclosure	1593HAMPI3GY
Transparent Blue Enclosure	1593HAMPI3TBU
Clear Enclosure	1593HAMPI3CLR

HAMMOND MANUFACTURING™

1593HAMPI3

www.hammondmfg.com

Dimensions:
 mm
 [inches]