



**HESTORE.HU**

elektronikai alkatrész áruház

**EN:** This Datasheet is presented by the manufacturer.

Please visit our website for pricing and availability at [www.hestore.hu](http://www.hestore.hu).

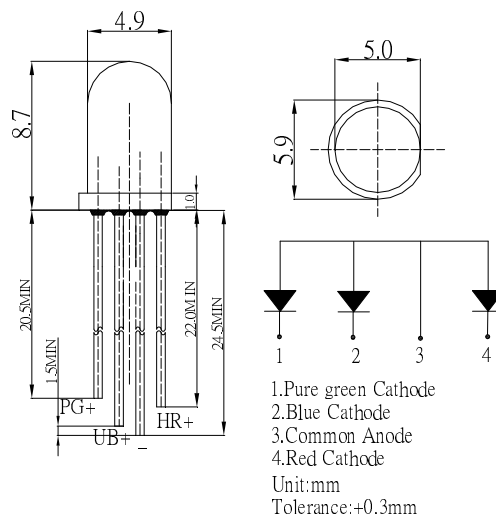
## ■Features

- High Luminous Output
- 5mm Standard Directivity
- Superior Weather-resistance
- Water Clear Type
- Common Anode Type

## ■Applications

- Toys
- Games
- Audio
- Other Lighting

## ■Outline Dimension



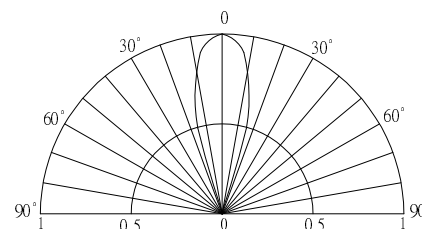
## ■Absolute Maximum Rating

(Ta=25°C)

Item	Symbol	Value		Unit
		Red	Green/Blue	
DC Forward Current	$I_F$	50	30	mA
Pulse Forward Current*	$I_{FP}$	120	100	mA
Reverse Voltage	$V_R$	5	5	V
Power Dissipation	$P_D$	120	108	mW
Operating Temperature	$T_{opr}$	-30 ~ +85		°C
Storage Temperature	$T_{stg}$	-40 ~ +100		°C
Lead Soldering Temperature	$T_{sol}$	260°C/5sec		-

\*Pulse width Max.10ms Duty ratio max 1/10

## ■Directivity



## ■Electrical -Optical Characteristics

(Ta=25°C)

Item	Symbol	Condition	Min.	Typ.	Max.	Unit
DC Forward Voltage	$V_F(R)$	$I_F=20mA$	1.8	2.1	2.4	V
	$V_F(B/G)$	$I_F=20mA$	2.9	3.1	3.6	V
DC Reverse Current	$I_R$	$V_R=5V$	-	-	10	μA
Domi. Wavelength	$\lambda_D(Red)$	$I_F=20mA$	619	624	629	nm
	$\lambda_D(Green)$	$I_F=20mA$	520	525	530	nm
	$\lambda_D(Blue)$	$I_F=20mA$	465	470	475	nm
Luminous Intensity	$I_v(Red)$	$I_F=20mA$	7000	8500	-	mcd
	$I_v(Green)$	$I_F=20mA$	12000	14400	-	mcd
	$I_v(Blue)$	$I_F=20mA$	3000	4000	-	mcd
50% Power Angle	$2\theta_{1/2}$	$I_F=20mA$	-	30	-	deg

\*1 Tolerance of dominant wavelength is ±1nm

\*2 Tolerance of luminous intensity is ±15%