



HESTORE.HU

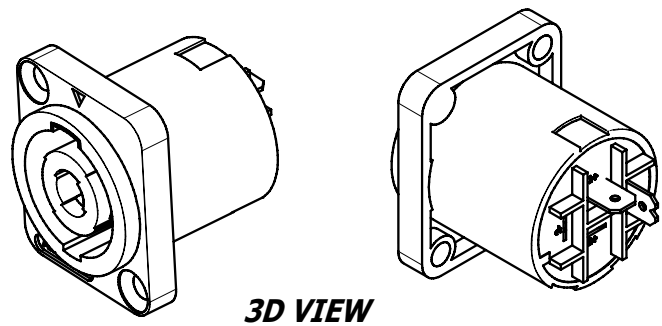
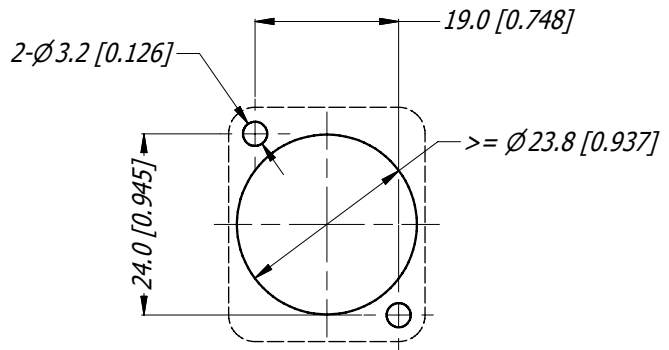
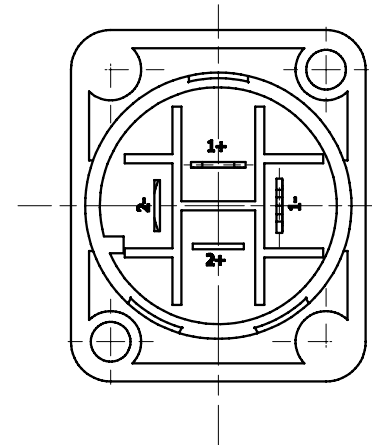
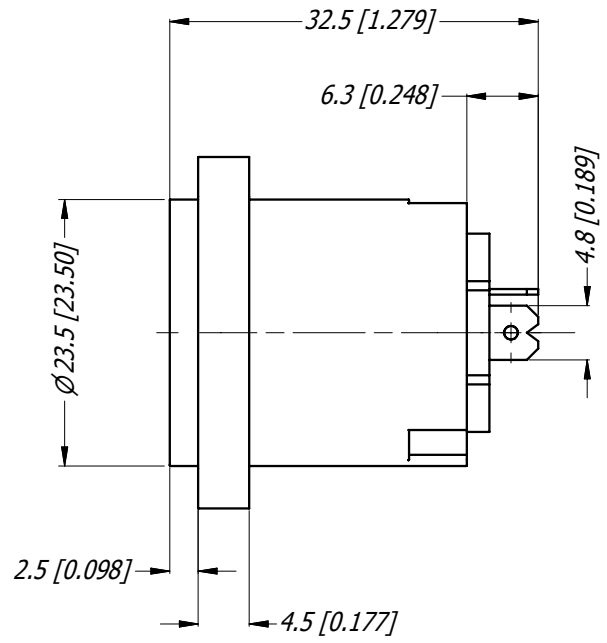
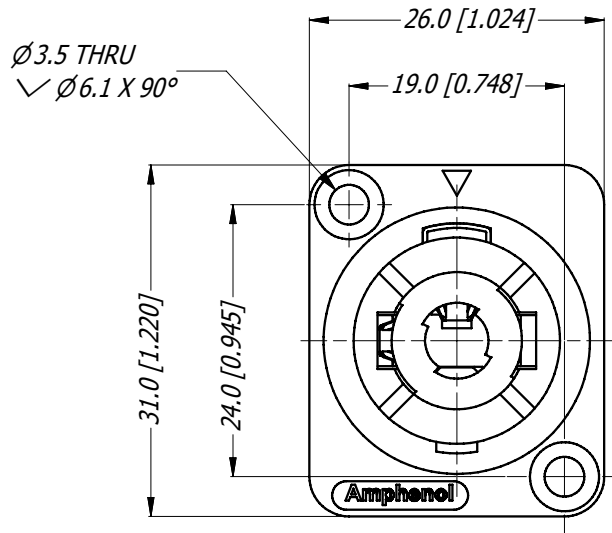
elektronikai alkatrész áruház

EN: This Datasheet is presented by the manufacturer.

Please visit our website for pricing and availability at www.hestore.hu.

LEGEND  = KEY PRODUCT CHARACTERISTICS

REVISION HISTORY				
REV	DESCRIPTION	BY	DATE	ECN
0	FIRST ISSUE	H.H	14/02/11	8990



3D VIEW



PANEL CUTOUT (1:1)

UNLESS OTHERWISE SPECIFIED TOLERANCE TO BE		THIS DOCUMENT IS THE PROPERTY OF AMPHENOL AUSTRALIA PTY. LTD. NO PART THEREOF MAY BE REPRODUCED AND USED WITHOUT THE PRIOR WRITTEN CONSENT OF THE OWNER				Amphenol Amphenol Australia Pty.Ltd, 2 Fiveways Blvd, Keysborough, VIC 3173	
LINEAR	ANGULAR	MATERIAL: REFER TO COMPONENTS	DRN: HH	DATE: 10/02/11	TITLE: SP SERIES CONNECTOR LOUDSPEAKER 2 POLE, SOLDER		PART No. SP-2-MD
X ± 0.5	X° ± 1	FINISH:	CKD: TN	DATE: 14/02/11	DRAWING No.		SHEET
X.X ± 0.1	X.X° ± 30°	DO NOT SCALE	APP'D: PM	DATE: 14/02/11	55010735-000-2		2/2
X.XX ± 0.05	X.XX° ± 15°	DIMENSIONS IN MILIMETRES	SCALE: 3:2	SIZE: A4	CAD FILE: 55010735000210		



THIRD ANGLE PROJECTION