



HESTORE.HU

elektronikai alkatrész áruház

EN: This Datasheet is presented by the manufacturer.

Please visit our website for pricing and availability at www.hestore.hu.

1550 & 1350 Hi-inrush Switches

150A to IEC65 and 16A 250Vac



Ratings Information

1550 Series

16(4)A 250Vac T125

UL CSA 16A 250Vac

UL CSA (2 position) 250Vac 1hp, 125Vac ½ hp

UL CSA (3 position) 250Vac ½ hp, 125Vac ¼ hp

Inrush 36A to EN61058-1 & 20A 28Vdc (In house tests)

1350 Series

Ⓢ 150A Inrush to IEC 65

16(4)A 250Vac T85 1E4 (10,000 Operations)

UL CSA 20A 250Vac 1hp, 125Vac ½ hp

UL 85°C, file E45221

CSA file LR10990

20A 28Vdc (In house test)

3mm contact gap except where marked μ

Examples



C1350AL

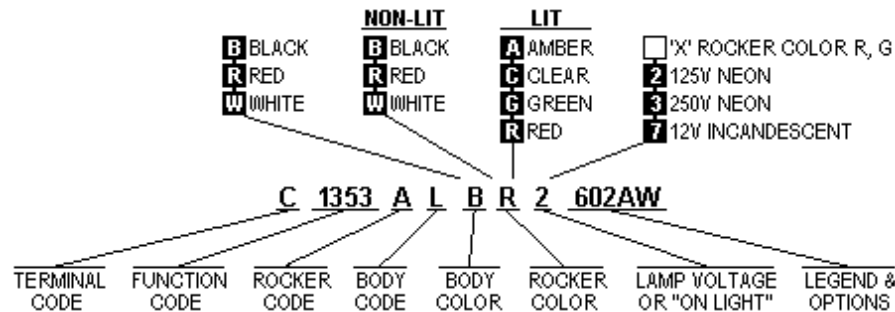


C1353AL

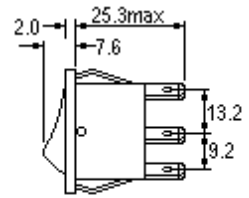


C1350XL

Order Format



Dimensions



Terminal spacing
Poles 10.2 between centers

Panel Thickness

A, Q	0.75 to 3.3 mm
L, B, T	0.75 to 2.5 mm
R	0.75 to 3.0 mm

*For cutout details on momentary switches contact the factory.



C1353PL



C1570AL

Examples Of Legend Printing () is legend color B-Black, W-White, R-Red



602A(W)



1091(W)



822(W)



722(W)



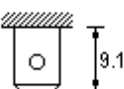
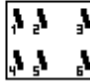


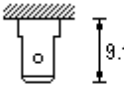
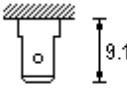


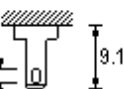
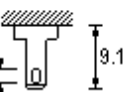
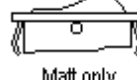
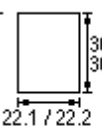
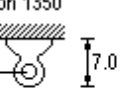


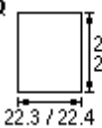
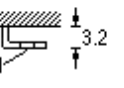



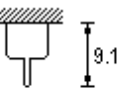
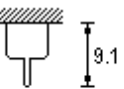
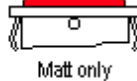


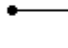
727(W)



730(W)



Optional M441
barrier

TERMINAL CODE	SWITCH FUNCTION CODE		ROCKER CODE	BODY CODE	OPTIONS
C  6.3 x 0.8	<p style="text-align: center;"><i>Approvals & ratings vary with function</i> <i>On Off Switches are ON when pressed over terminal 1</i></p> 		A Softline  Matt only Lit Matt only	Panel cut-outs * Flanges A 	Finish Matt finish is standard. For gloss consult factory and specify gloss when ordering. Color Consult factory for custom colors. A full range is available for large orders.
H N/A on 1350  4.8 x 0.8	1350 16(4)A 1E4 T85 Euro 16(6)A 5E4 T125 Euro on request	ON - OFF 	V Curved  Matt or gloss Lit Gloss only	Gloss or Matt B 	Legend printing Select from the examples or call factory for custom legends. Lamp voltage Consult factory for details of other available voltages
K N/A on 1350  2.8 x 0.8	1353	ON - OFF lit 	W Curved (moisture resistant)  Matt only	Matt only L 	Single pole options Most switches shown can have single pole switching in double pole bodies.
T N/A on 1350  Solder	1564 µ HP Rating N/A	ON - ON (momentary 1 side) 	P Lit window  Matt only	Matt only Q 	Moisture resistant covers (IP65) Will snap on to A, L, Q or T bodies (add G72 as a suffix) but will reduce panel thickness by 1.0mm.
U N/A on 1350  Solder	1571 µ HP Rating N/A H terminal is rated T100 only	ON - OFF - ON (momentary 1 side) 	X Softline 2 Color Rocker (not for momentary)  Matt only	Gloss or matt R 	
X N/A on 1350  PCB 0.85sq	5A only *1484 µ *Limited approvals	Further circuits available 3 position selective OFF - A - A+B 	A Softline Lens  Matt only	Matt only T 	Panel sealing washer W42 is available for the L body size but will reduce panel thickness by a further 0.8mm. Note Covers are not suitable for momentary switches.
	0480 X terminal N/A	Indicator 			

Technical Information

Most major technical information is shown on the page covering the specific product, other details are grouped here for easy reference.

The details shown apply to all Switches and Fuseholders. For electrical products, Indicators or IEC sockets see the individual product page.

Materials

Body and actuator (opaque)

Actuator (transparent)

Current carrying parts

Contact points

Most Products Expectations

Nylon 6.6 900 & 380 Vandal options are stainless steel

Polycarbonate

Copper Alloy

Silver Plated

Silver Alloy n/a for 55/56 & 2000, Gold plated for 1100

Properties - Electrical

Electrical Life (operations)

> 10k, many > 50k See relevant page for details

Contact Resistance (switches) new condition

< 100 (at 12Vdc, 1100, 2000 contact factory

(m ohms)

1A)

Contact Resistance (fuseholders) new condition

5 (average)

(m ohms)

Insulation Resistance (M ohms)

> 20

Dielectric Strength: (kV)

 across open contacts

> 1

 between poles

> 3

 between live parts and accessible metal

> 4

Comparative Tracking Index (CTI)

> 250

Properties - Physical

Humidity Resistance at 91-95% relative humidity

48

(to subsequently comply with requirements of dielectric strength test)(hrs)

Impact Resistance (Nm)

> 0.5

Storage term 5 year period (°C)

< 125

Some discoloration of terminals may occur

Flame Retardancy:

 Standard

UL94V2

Polycarbonate actuators - UL94V2 only

 On Request

UL94V0

Not all colors or variants

Solderability to BS 2011 pt.2.1T -

6 secs at 350°C

Angular movement ± 4° overall (where applicable)

38°

1250, 6000, 8500, 8550, 8600, 8650, 8800 - 26°

Force to operate (Kg). For details contact Sales office

0.2 - 2.0

Fixing nut torque (where applicable)

1.0Nm (8.91 lb/in)

General Information

All switches

Insulation Class II.
Heat and Fire resistance Category D.
Ingress Protection without cover IP40.
DC ratings are not approved.

All products

Panel holes must be punched in direction unit
is to be fitted

Illuminated rockers and indicator lights

Transparent lenses on indicator lights and
illuminated switches are moulded in polycarbonate,
a material which is attacked by organic chemicals
and animal or vegetable fats.

Please contact the factory for advice on these
products.

Weights of our most frequently supplied products

Product	gms	Product	gms	Product	gms
0055,0056	5.7/6.8	1350	11.2	5567	14.3
0305	32.9	1500	5.7	6050	13.6
0333	4.5	1520	6.6	6053	14.2
0345	8.9	1550	11.2	7000	10.4
0380 sw only	7.12	1553	11.8	7050	12.3
0383K/P	25.0	1570	12.7	7053	12.9
0392	10.7	1584-1589	11.1	8250	4.9
0430	5.5	1700H	8.4	8300	4.0
0589	3.5	1750H	13.2	8350	5.0
0692	51.8	1750O	25.6	8353	5.9
0711-1S	16.6	2000 2pos C SP	3.8	8500	3.8
0712-S	27.8	2000 2pos C DP	4.5	8550	4.8
0717-1S	22.4	2000 5pos A SP	6.3	8553	5.2
0900S/L	2.6/2.9	2000 5pos A DP	7.3	8600	3.5
1048	2.8	T2225B	5.0	8620	4.3
1100	2.0	2950	5.3	8650	6.3
1250SP	5.9	3111	11.8	8670	8.5
1250DP	7.0	5500	7.1	8800	2.9
1300	5.7	5503	7.8	9100	21.1