



HESTORE.HU

elektronikai alkatrész áruház

EN: This Datasheet is presented by the manufacturer.

Please visit our website for pricing and availability at www.hestore.hu.

Application example for RFM69CW replacing RFM12B

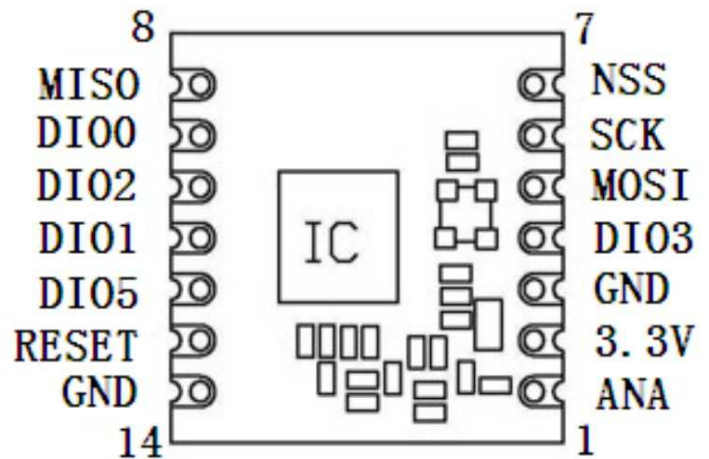
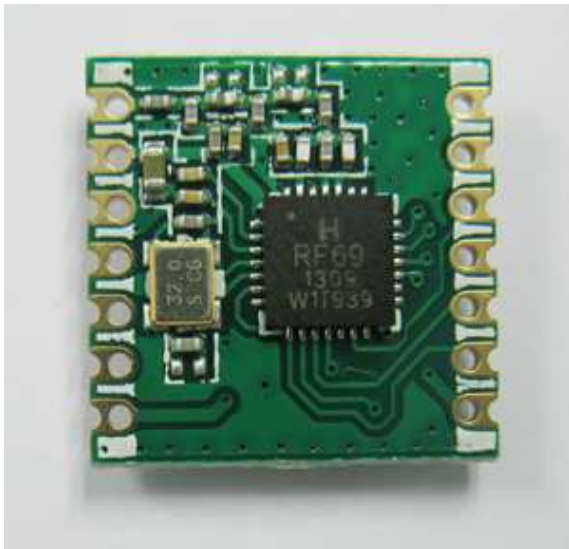
1. Introduction:

RFM69CW is a transceiver module based on our new generation RF IC, which is fully hardware compatible with RFM12B. This document detailed compare hardware and comprehensive application between RFM69CW and RFM12B, which will make it easier for customers to use RFM69CW instead in project based on RFM12B design.

2. module hardware compatible:

PCB size and pins position of RFM69CW and RFM12B are same. Customers can replace RFM12B with RFM69CW by changing the drive application software accordingly, no hardware change is needed.

Below is the physically and pin diagram of RFM69CW

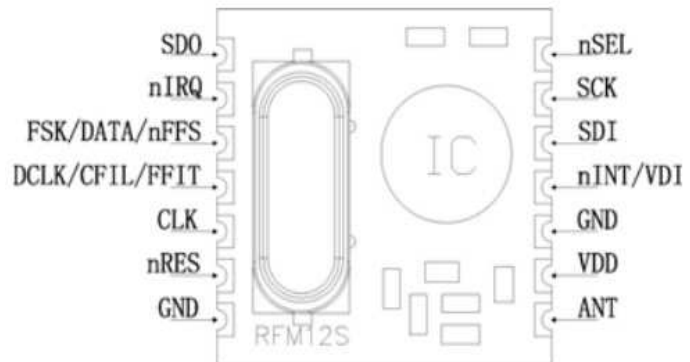


RFM69CW Pinouts

| Number | Name | Type | Description |
|--------|------|------|----------------------------------|
| 1 | ANA | O | Transmitter RF Output |
| 2 | 3.3V | I | Supply voltage |
| 4 | DIO3 | I/O | Digital I/O, software configured |
| 5 | MOSI | I | SPI Data input |
| 6 | SCK | I | SPI Clock input |
| 7 | NSS | I | SPI Chip select input |
| 8 | MISO | O | SPI Data output |
| 9 | DIO0 | I/O | Digital I/O, software configured |

| | | | |
|----|--------|-----|----------------------------------|
| 10 | DIO2 | I/O | Digital I/O, software configured |
| 11 | DIO1 | I/O | Digital I/O, software configured |
| 12 | DIO5 | I/O | Digital I/O, software configured |
| 13 | NRESET | I/O | Reset trigger input |

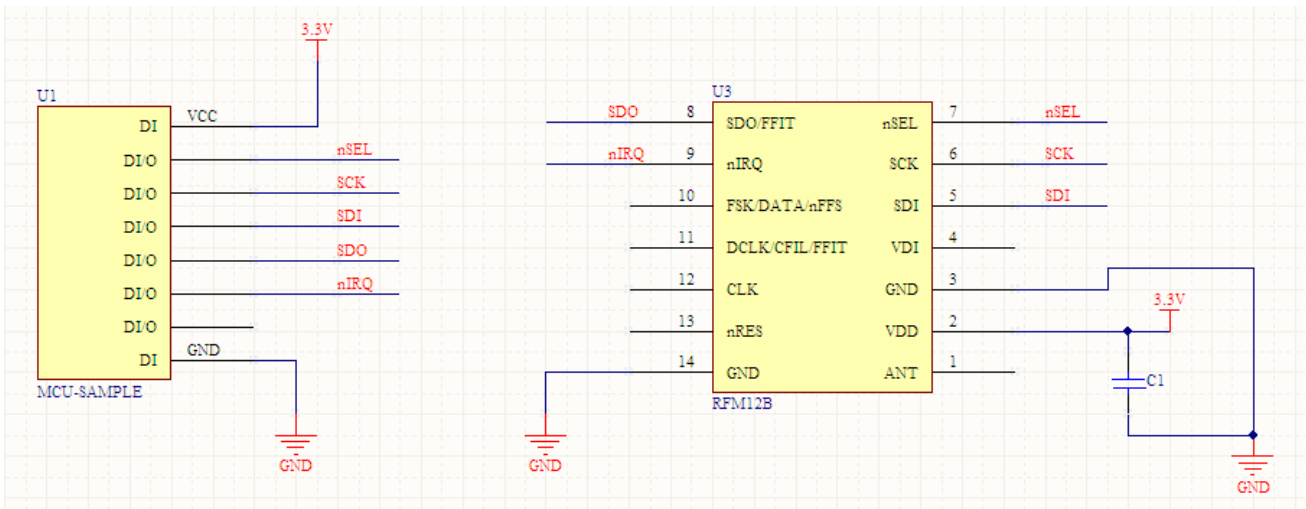
Below is the physically and pin diagrams of RFM12B



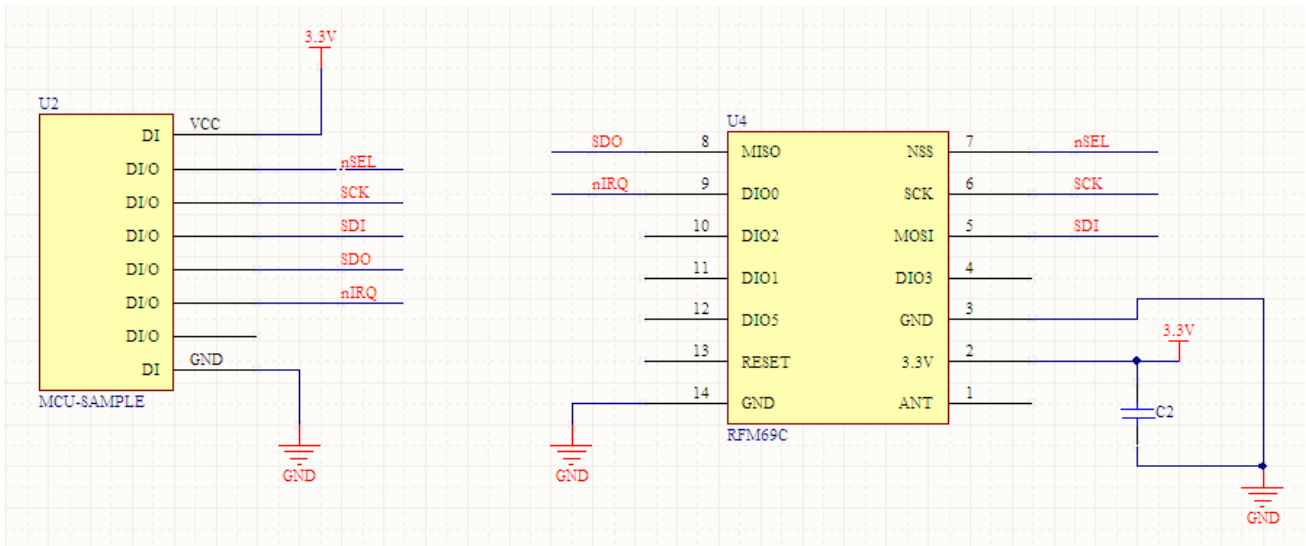
RFM12B Pinouts

| Number | Name | TYPE | Description |
|--------|----------------|----------|---|
| 1 | ANT | O | Transmitter RF Output |
| 2 | VDD | I | Positive power supply |
| 4 | nINT | I/O | Interrupt input (active low)/Valid data indicator |
| 5 | SDI | I | SPI data input |
| 6 | SCK | I | SPI clock input |
| 7 | nSEL | I | Chip select (active low) |
| 8 | SDO | O | SPI data output |
| 9 | nIRQ | O | Interrupts request output (active low) |
| 10 | FSK/DATA/nFFS | I/O/I | Transmit FSK data input/ Received data output (FIFO not used)/ FIFO select |
| 11 | DCLK/CFIL/FFIT | O/(AI/O) | Clock output (no FIFO)/ external filter capacitor (analog mode) / FIFO interrupts(active high) when FIFO level set to 1, FIFO empty interruption can be achieved |
| 12 | CLK | O | clock out for MCU (1 MHz-10 MHz) |
| 13 | nRES | I/O | Reset output (active low) |

Customers can directly use RFM69CW as replacement in the project designed with RFM12B. No hardware changes needed. Hardware connection diagram of RFM69CW and RFM12B is as follows:



RFM12B hardware connection diagram

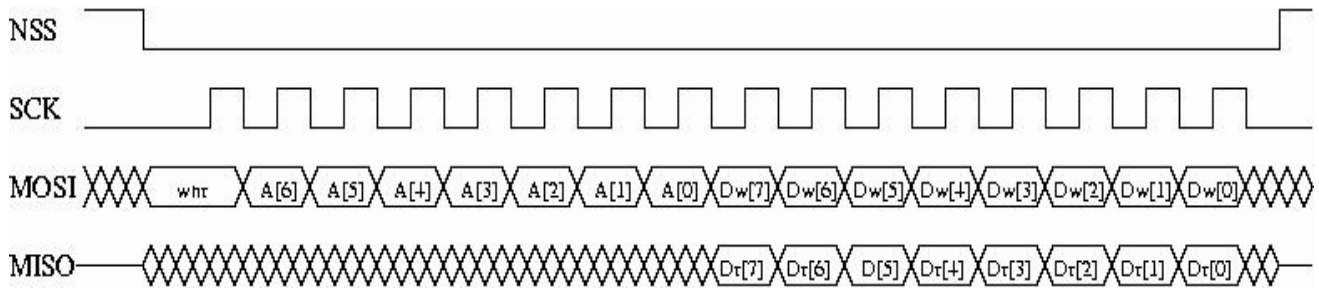


RFM69CW hardware connection diagram

3. Summary of module software application:

RFM69CW can fully replace RFM12B in hardware. Each module can be replaced with another by changing drive application software accordingly. Below is the modules software application instruction:

The configure pout of RFM69CW is standard SPI interface, MCU write and read the configuration of module register from SPI port. Time sequence is as below:



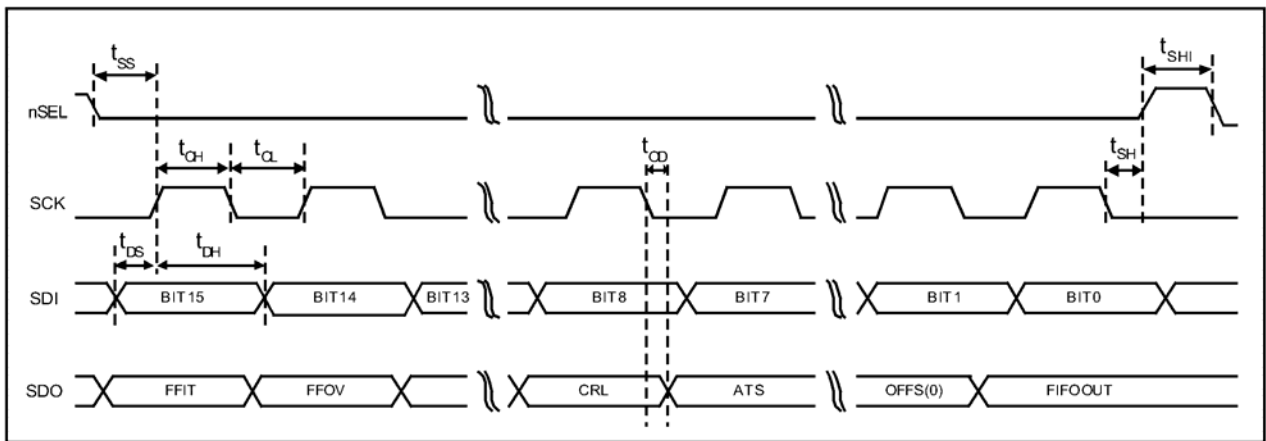
SPI time sequence

After RFM69CW initialized and configured, DIO0~4 as state mapping output pins, can be configured as state mapping output via configuring Reg DioMapping register, the function will be equal to NIRQ of RFM12B.

When the module in TX state, after writing transmitting data into data buffer FIFO, the data will be sent according the packet format and parameter already set.

When the module in RX state, after receiving valid data packet successfully, the data will be loaded into data buffer FIFO automatically and read via SPI. FIFO need be reset after valid data handled.

The configuration port of RFM12B is standard SPI interface. Module command is configured via SPI time sequence. SPI time sequence is as follows:



SPI time sequence

When RFM12B in TX state, it send data after hand packed via configuration data transmitting command.

When RFM12B in RX state, after receiving valid data, nIRQ will output low level interrupt signal and store the data into FIFO, then read the data via SPI interface.

4. Demo Code:

Please click below link to find FM69CW and RFM12B application demo code for your reference.

http://www.hoperf.com/rf/fsk_module/RFM69.htm

http://www.hoperf.com/rf/fsk_module/RFM12B.htm

5. Please visit www.hoperf.com to learn more info.**HOPE MICROELECTRONICS CO.,LTD**

Add: 2/F, Building 3, Pingshan Private Enterprise Science and Technology Park, Lishan Road, XiLi Town, Nanshan District, Shenzhen, Guangdong, China

Tel: 86-755-82973805

Fax: 86-755-82973550

Email: sales@hoperf.com

Website: <http://www.hoperf.com>

<http://www.hoperf.cn>

This document may contain preliminary information and is subject to change by Hope Microelectronics without notice. Hope Microelectronics assumes no responsibility or liability for any use of the information contained herein. Nothing in this document shall operate as an express or implied license or indemnity under the intellectual property rights of Hope Microelectronics or third parties. The products described in this document are not intended for use in implantation or other direct life support applications where malfunction may result in the direct physical harm or injury to persons. NO WARRANTIES OF ANY KIND, INCLUDING, BUT NOT LIMITED TO, THE IMPLIED WARRANTIES OF MERCHANTABILITY OR FITNESS FOR A PARTICULAR PURPOSE, ARE OFFERED IN THIS DOCUMENT.

©2006, HOPE MICROELECTRONICS CO.,LTD. All rights reserved.