

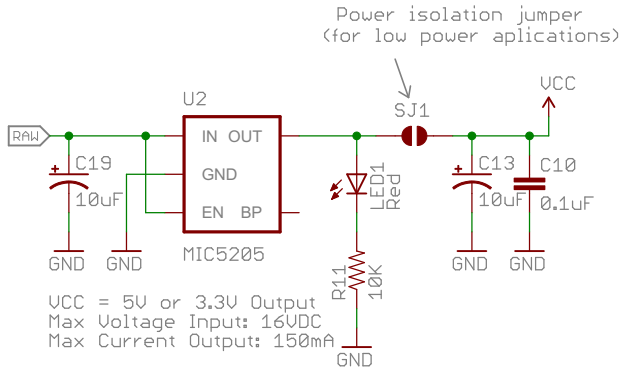


HESTORE.HU

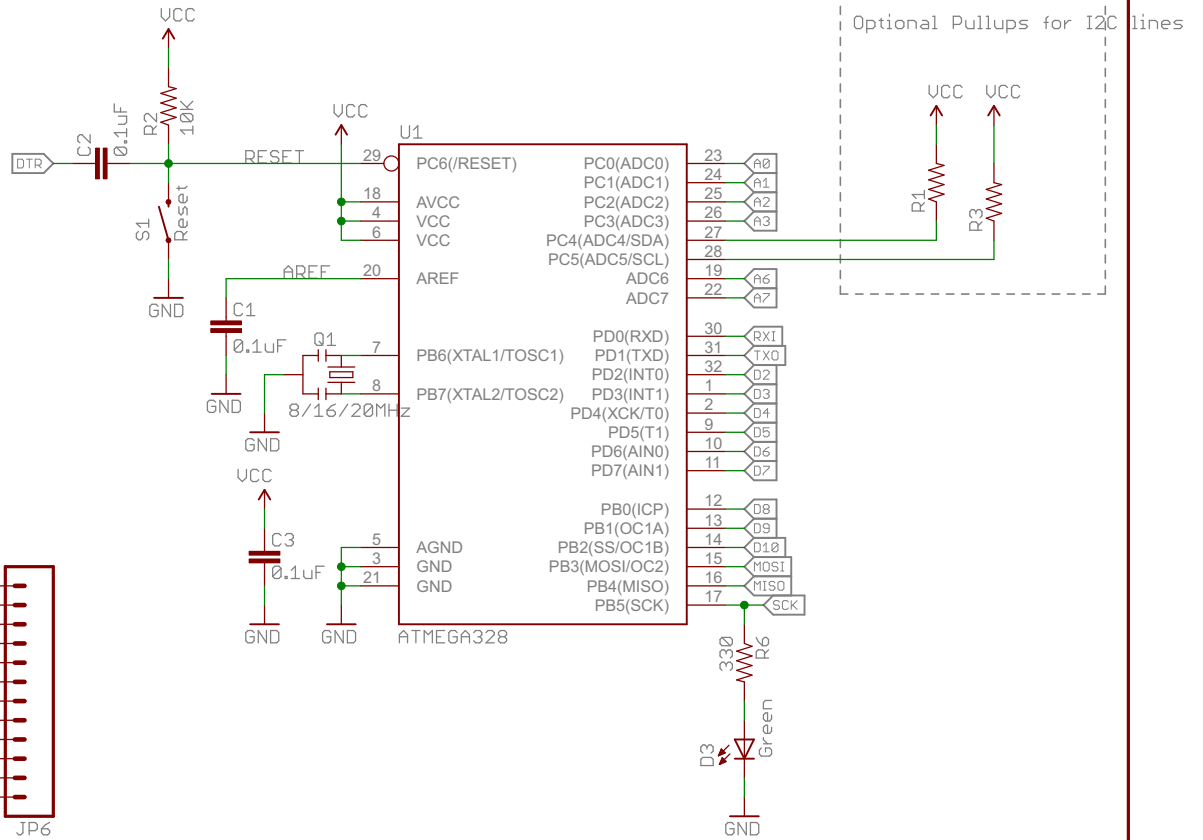
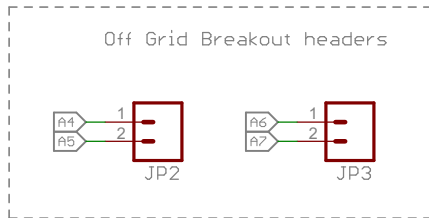
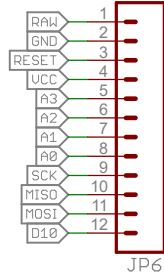
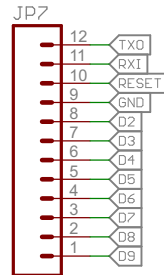
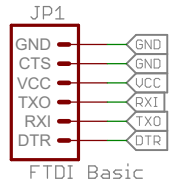
elektronikai alkatrész áruház

EN: This Datasheet is presented by the manufacturer.

Please visit our website for pricing and availability at www.hestore.hu.



Board is marked with combination of resonator frequency and regulator voltage.



open hardware

Released under the Creative Commons Attribution Share-Alike 3.0 License
<http://creativecommons.org/licenses/by-sa/3.0>

TITLE: Arduino-Pro-Mini SFE

Design by original Arduino Mini Design by Team Arduino REV: 14
 Arduino Pro Mini Design by Spark Fun Electronics

Date: 4/9/2014 9:19:34 AM Sheet: 1/1