



**HESTORE.HU**

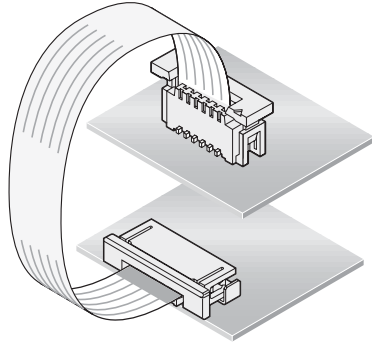
elektronikai alkatrész áruház

**EN:** This Datasheet is presented by the manufacturer.

Please visit our website for pricing and availability at [www.hestore.hu](http://www.hestore.hu).

# 1.00mm (.039") Pitch Premo-Flex™ Flat Flex Cable Jumpers

**98267**  
Standard



Molex introduces a complete line of 1.00mm (.039") pitch Flat Flex Cable jumpers. These jumpers are used to connect 2 PC boards and terminate to either ZIF or Non-ZIF FFC connectors.

Molex 1.00mm (.020") Flat Flex Cable jumpers are available in a wide variety of lengths and circuit sizes. These standard lengths are easy to order and feature shorter lead times.

We are also able to offer customized lengths and circuit sizes.

### Reference Information

Product Specification: PS-98267-001  
Packaging: Box  
UL Style No.: 20706  
Mates With: Any 1.00mm (.039") Pitch Molex FFC/FPC connector  
Designed In: Millimeters

**Electrical**  
Voltage: 60V  
Current: 1.2A

**Physical**  
Strip Length: 4.0mm (.157")  
Reinforcement Length: 8.0mm (.315")  
Width: (N + 1) 1.00mm  
Span: (N - 1) 1.00mm  
Margin: 0.65mm (.014")  
Conductor Width: 0.70mm (.012")  
Conductor Thickness: 0.10mm (.004")  
End Thickness: 0.30 ± 0.05mm (.012 ± .002")  
Temperature: -40 to +105°C

## Type A Jumpers—Contacts on same side (Preferred version in Europe)

Circuits	Order No.											Lead-free
	Overall Length											
	30mm (1.181")	51mm (2.00")	76mm (3.00")	102mm (4.00")	127mm (5.00")	152mm (6.00")	178mm (7.00")	203mm (8.00")	229mm (9.00")	254mm (10.00")	305mm (12.00")	
4	98267-0701	98267-0703	98267-0705	98267-0707	98267-0709	98267-0711	98267-0713	98267-0715	98267-0717	98267-0719	98267-0721	
5	98267-0723	98267-0725	98267-0727	98267-0729	98267-0731	98267-0733	98267-0735	98267-0737	98267-0739	98267-0741	98267-0743	
6	98267-0201	98267-0203	98267-0205	98267-0207	98267-0209	98267-0211	98267-0213	98267-0215	98267-0217	98267-0219	98267-0221	
7	98267-0745	98267-0747	98267-0749	98267-0751	98267-0753	98267-0755	98267-0757	98267-0759	98267-0761	98267-0763	98267-0765	
8	98267-0223	98267-0225	98267-0227	98267-0229	98267-0231	98267-0233	98267-0235	98267-0237	98267-0239	98267-0241	98267-0243	
9	98267-0767	98267-0769	98267-0771	98267-0773	98267-0775	98267-0777	98267-0779	98267-0781	98267-0783	98267-0785	98267-0787	
10	98267-0245	98267-0247	98267-0249	98267-0251	98267-0253	98267-0255	98267-0257	98267-0259	98267-0261	98267-0263	98267-0265	
11	98267-0789	98267-0791	98267-0793	98267-0795	98267-0797	98267-0799	98267-0801	98267-0803	98267-0805	98267-0807	98267-0809	
12	98267-0267	98267-0269	98267-0271	98267-0273	98267-0275	98267-0277	98267-0279	98267-0281	98267-0283	98267-0285	98267-0287	
13	98267-0811	98267-0813	98267-0815	98267-0817	98267-0819	98267-0821	98267-0823	98267-0825	98267-0827	98267-0829	98267-0831	
14	98267-0289	98267-0291	98267-0293	98267-0295	98267-0297	98267-0299	98267-0301	98267-0303	98267-0305	98267-0307	98267-0309	
15	98267-0833	98267-0835	98267-0837	98267-0839	98267-0841	98267-0843	98267-0845	98267-0847	98267-0849	98267-0851	98267-0853	
16	98267-0311	98267-0313	98267-0315	98267-0317	98267-0319	98267-0321	98267-0323	98267-0325	98267-0327	98267-0329	98267-0331	
17	98267-0855	98267-0857	98267-0859	98267-0861	98267-0863	98267-0865	98267-0867	98267-0869	98267-0871	98267-0873	98267-0875	
18	98267-0333	98267-0335	98267-0337	98267-0339	98267-0341	98267-0343	98267-0345	98267-0347	98267-0349	98267-0351	98267-0353	
19	98267-0877	98267-0879	98267-0881	98267-0883	98267-0885	98267-0887	98267-0889	98267-0891	98267-0893	98267-0895	98267-0897	
20	98267-0355	98267-0357	98267-0359	98267-0361	98267-0363	98267-0365	98267-0367	98267-0369	98267-0371	98267-0373	98267-0375	
21	98267-0899	98267-0901	98267-0903	98267-0905	98267-0907	98267-0909	98267-0911	98267-0913	98267-0915	98267-0917	98267-0919	
22	98267-0377	98267-0379	98267-0381	98267-0383	98267-0385	98267-0387	98267-0389	98267-0391	98267-0393	98267-0395	98267-0397	Yes
23	98267-0921	98267-0923	98267-0925	98267-0927	98267-0929	98267-0931	98267-0933	98267-0935	98267-0937	98267-0939	98267-0941	
24	98267-0399	98267-0401	98267-0403	98267-0405	98267-0407	98267-0409	98267-0411	98267-0413	98267-0415	98267-0417	98267-0419	
25	98267-0943	98267-0945	98267-0947	98267-0949	98267-0951	98267-0953	98267-0955	98267-0957	98267-0959	98267-0961	98267-0963	
26	98267-0421	98267-0423	98267-0425	98267-0427	98267-0429	98267-0431	98267-0433	98267-0435	98267-0437	98267-0439	98267-0441	
27	98267-0965	98267-0967	98267-0969	98267-0971	98267-0973	98267-0975	98267-0977	98267-0979	98267-0981	98267-0983	98267-0985	
28	98267-0443	98267-0445	98267-0447	98267-0449	98267-0451	98267-0453	98267-0455	98267-0457	98267-0459	98267-0461	98267-0463	
29	98267-0987	98267-0989	98267-0991	98267-0993	98267-0995	98267-0997	98267-0999	98267-1001	98267-1003	98267-1005	98267-1007	
30	98267-0465	98267-0467	98267-0469	98267-0471	98267-0473	98267-0475	98267-0477	98267-0479	98267-0481	98267-0483	98267-0485	
31	98267-1009	98267-1011	98267-1013	98267-1015	98267-1017	98267-1019	98267-1021	98267-1023	98267-1025	98267-1027	98267-1029	
32	98267-0487	98267-0489	98267-0491	98267-0493	98267-0495	98267-0497	98267-0499	98267-0501	98267-0503	98267-0505	98267-0507	
33	98267-1031	98267-1033	98267-1035	98267-1037	98267-1039	98267-1041	98267-1043	98267-1045	98267-1047	98267-1049	98267-1051	
34	98267-0509	98267-0511	98267-0513	98267-0515	98267-0517	98267-0519	98267-0521	98267-0523	98267-0525	98267-0527	98267-0529	
35	98267-1053	98267-1055	98267-1057	98267-1059	98267-1061	98267-1063	98267-1065	98267-1067	98267-1069	98267-1071	98267-1073	
36	98267-0531	98267-0533	98267-0535	98267-0537	98267-0539	98267-0541	98267-0543	98267-0545	98267-0547	98267-0549	98267-0551	
37	98267-1075	98267-1077	98267-1079	98267-1081	98267-1083	98267-1085	98267-1087	98267-1089	98267-1091	98267-1093	98267-1095	
38	98267-0553	98267-0555	98267-0557	98267-0559	98267-0561	98267-0563	98267-0565	98267-0567	98267-0569	98267-0571	98267-0573	
39	98267-1097	98267-1099	98267-1101	98267-1103	98267-1105	98267-1107	98267-1109	98267-1111	98267-1113	98267-1115	98267-1117	
40	98267-0575	98267-0577	98267-0579	98267-0581	98267-0583	98267-0585	98267-0587	98267-0589	98267-0591	98267-0593	98267-0595	