

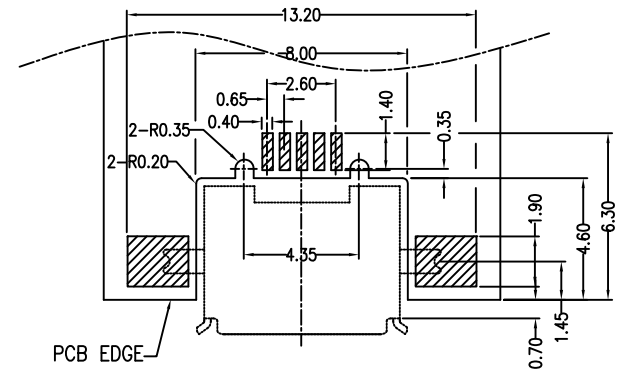
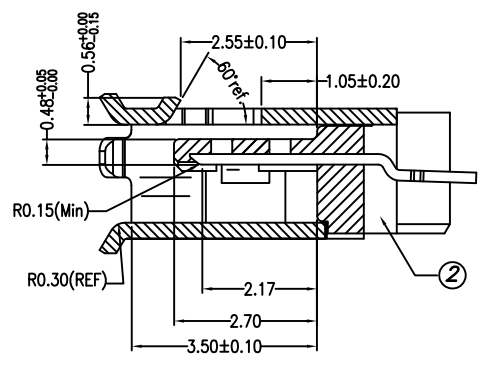
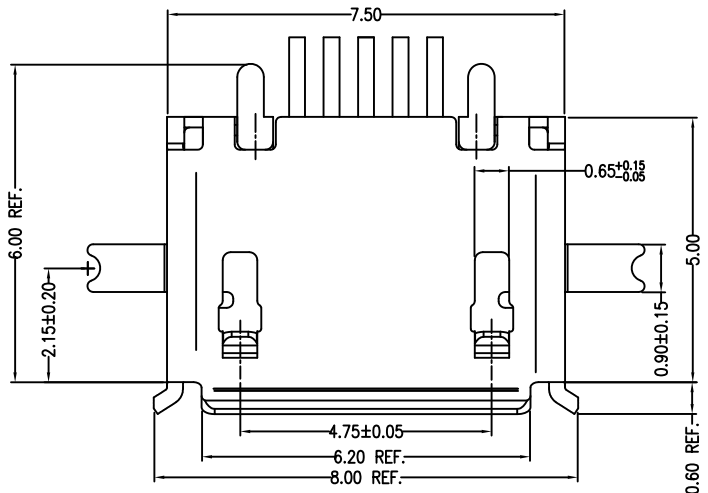


HESTORE.HU

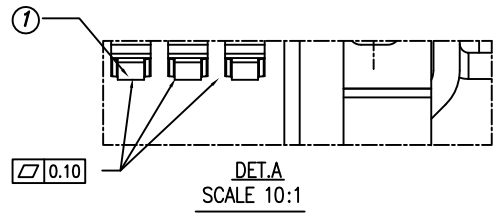
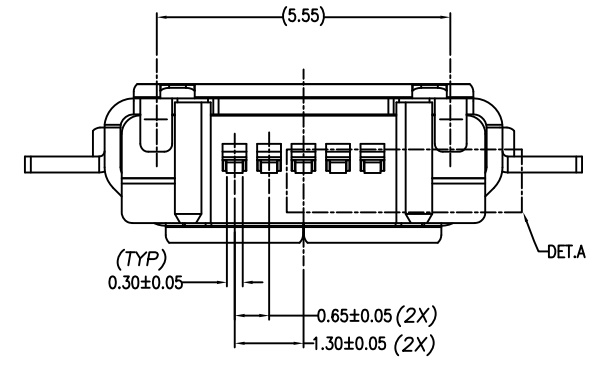
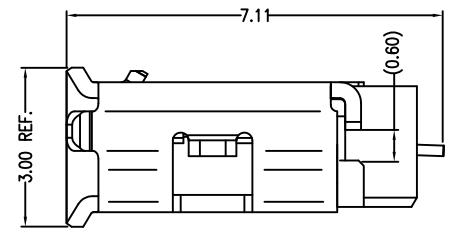
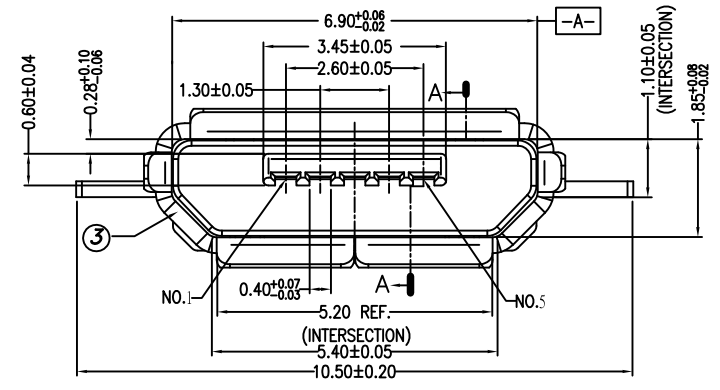
elektronikai alkatrész áruház

EN: This Datasheet is presented by the manufacturer.

Please visit our website for pricing and availability at www.hestore.hu.



PCB LAYOUT
COMPONENT SIDE TOLERANCE:±0.05 T=0.80



3	SHELL	STAINLESS STEEL, T=0.30	30u" NICKEL OVER PLATED	
2	HOUSING	HIGH TEMPERATURE	COLOR:BLACK	
1	CONTACT	COPPER ALLOY,T=0.20	CONTACT AREA: Au30u" SOLDER AREA: Au 3u"	
ITEM	DESC.	MATERIAL	REMARKS	PART REMARKS

UNLESS OTHERWISE SPECIFIED TOLERANCE		
ANGLES	ANG.	±5°
LINEAR	0.	±0.3
	0.0	±0.25
	0.00	±0.20
SCALE	AS SHOWN	UNIT: mm
DRAWN	Willis	2012/08/03
CHECKED	Angel	2012/08/03
APPROVED	Ken	2012/08/03



www.attend.com.tw

DRAWN NAME:
Micro USB B Receptacle
Middle Board Mount SMD Type

PRODUCT NO. 207E-BG00-R

REV.	DESCRIPTION	DATE	REV.	DESCRIPTION	DATE
1			4		
2			5		
3			6		
4			7		
5			8		
6			9		
7			10		

SIZE A4 REV. 1.0 FILE NAME 207E-BG00-R_B_2

- △ Revise:
- △ Revise:
- △ Revise: