



HESTORE.HU

elektronikai alkatrész áruház

EN: This Datasheet is presented by the manufacturer.

Please visit our website for pricing and availability at www.hestore.hu.

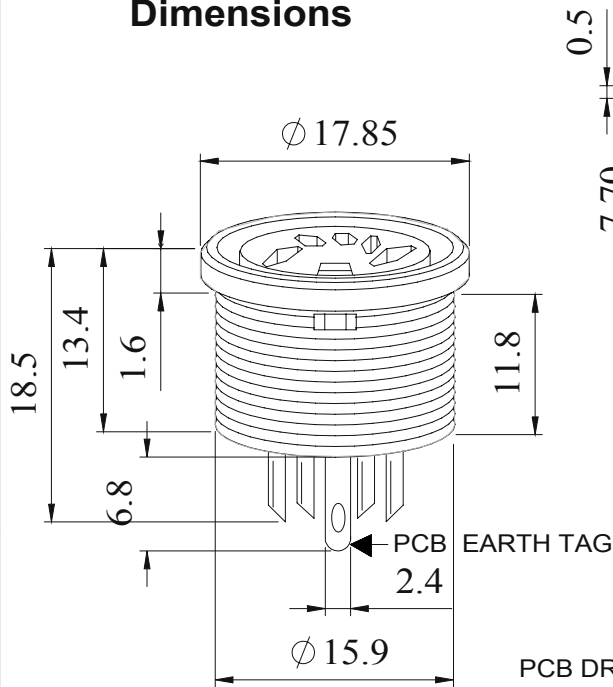
A fully screened robust range of DIN connectors for use in instrumentation and audio applications. Available in two finishes; bright nickel and non-reflective electrically conductive matt black. Robust construction incorporating cable grip and strain relief.

The line socket mates with all standard and lockable plugs
Manufactured to DIN 41524,45322,45326,45327,and45329.

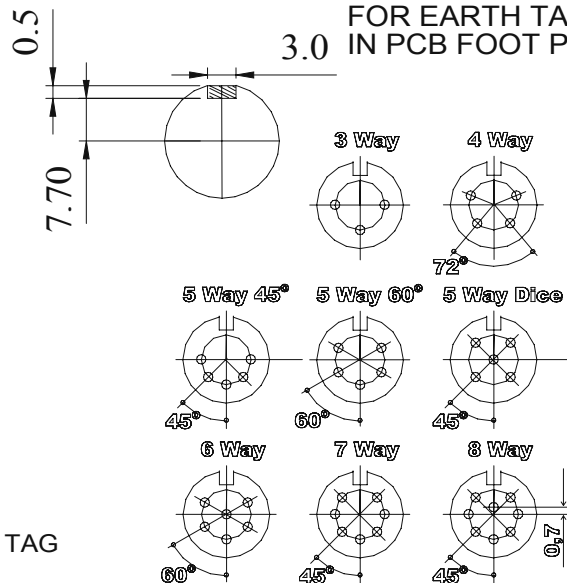
TYPE	NUMBER
3 Way	690-0300
4 Way	690-0400
5 Way 45°	690-0500
5 Way 60°	690-0510
5 Way Dice	690-0520
6 Way	690-0600
7 Way	690-0700
8 Way	690-0800
Hex Nut	650-003-3

RoHS
2002/95/EC
Compliant

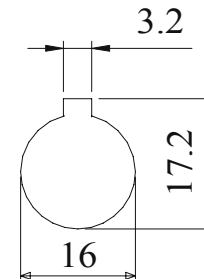
Dimensions



PLEASE ALLOW FOR EARTH TAG IN PCB FOOT PRINT



PCB DRILLING - ALL PIN HOLES ϕ 1.20mm ON A 7 P.C.D



PANEL CUTOUT

Materials	
Housing	Brass
	Sprayed With Black Paint
Moulding	Lexan 500R
Contacts	Brass Silver Plated
Electrical	
Rated Voltage	34 V a.c. or d.c.
Current Rating	2.A
Test Voltage	500 V r.m.s.
Insulation Resistance	103 M Ω min at 100 V d.c
Contact Resistance	10 m Ω max
Capacitance (mated)	3pF
Climatic	
Climatic category	25/070/21
Temperature Range	-25°C to +70°C
Damp heat, steady state	21 days

Tel No.+44(0)1724273200 Website www.dem-uk.com



PROPRIETARY AND CONFIDENTIAL
THE INFORMATION CONTAINED IN THIS DRAWING IS THE SOLE PROPERTY OF ALPHA 3 MANUFACTURING.
ANY REPRODUCTION IN PART OR AS A WHOLE WITHOUT THE WRITTEN PERMISSION OF ALPHA 3 MANUFACTURING IS PROHIBITED.



DEM Manufacturing, Deltron Emcon House
Hargreaves Way, Sawcliffe Ind. Park,
Scunthorpe, North Lincolnshire, DN15 8RF, UK

UNLESS OTHERWISE SPECIFIED:
DIMENSIONS ARE IN MILLIMETRES
LINEAR TOLERANCE:
NO DECIMAL PLACES $\pm 0.5\text{mm}$
1 DECIMAL PLACE $\pm 0.25\text{mm}$
2 DECIMAL PLACES $\pm 0.125\text{mm}$
ANGULAR TOLERANCE: $\pm 1^\circ$

FINISH

DEBURR AND
BREAK SHARP
EDGES

DRAWN BY
APPROVED BY

SPB
WC

TITLE
**PROFESSIONAL CIRCULAR
PCB MOUNTING
SOCKET**

IF IN DOUBT ASK
DO NOT SCALE DRAWING



SHEET 1 OF 1

DRAWING NO.
690 SERIES

ISSUE
07

MATERIAL
SEE SPEC TOP RIGHT

A3

Development