



**HESTORE.HU**

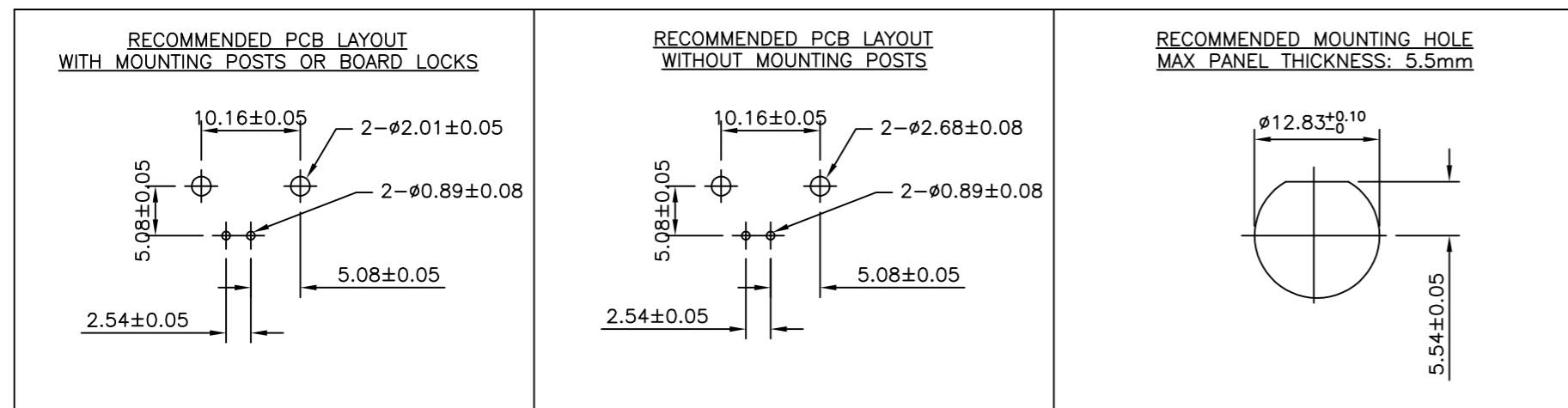
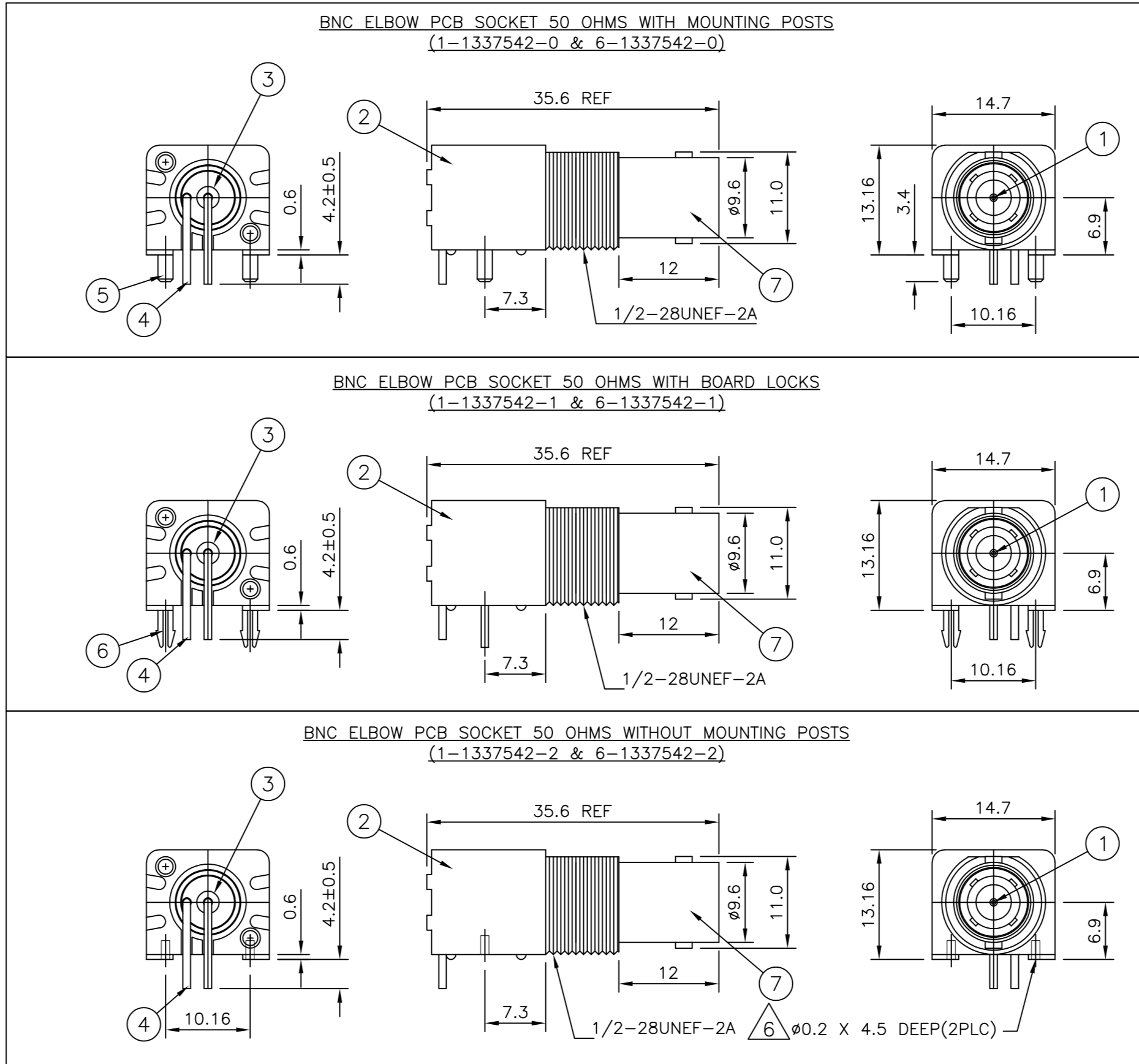
elektronikai alkatrész áruház

**EN:** This Datasheet is presented by the manufacturer.

Please visit our website for pricing and availability at [www.hestore.hu](http://www.hestore.hu).

LOC		DIST		REVISIONS			
P	LTR	DESCRIPTION	DATE	DWN	APVD		
	D1	REVISED PER ECO-11-005033	31MAR11	RK	HMR		
	E	ECO-12-014680	20Aug2012	TITAN	MARTIN		
	F	ECO-12-018113	27DEC12	TITAN	MARTIN		

- NOTES:**
- 1 SINGLE PACK IN ACCORDANCE WITH AMP SPEC 107-3275
  - 2 50 TRAY PACK IN ACCORDANCE WITH AMP SPEC 107-3275
  - 3 Au PLATING OVER Ni PLATING OVER Cu PLATING
  - 4 Ni PLATING OVER Cu PLATING
  - 5 TIN PLATING
  - 6 RECOMMENDED SELF-TAPPING SCREW 221108-4
  - 7 RECOMMENDED MOUNT NUT 1-1634816-0
  - 8 RECOMMENDED LOCKWASHER 1-1634817-0
  - 9 FOR TECHNICAL DATA REFER TO YOUR LOCAL TE CONNECTIVITY SALES OFFICE
  - 10. ALL DIMENSIONS ARE NOMINAL FOR REFERENCE ONLY UNLESS OTHERWISE STATED



Obsolete	Obsolete	Obsolete	Obsolete	Obsolete	Quantity	Material	Description	Item
1	1	1	1	1	1	ZINC DIECAST	BOARD LOCK	7
-	-	2	2	-	-	BRASS	MOUNTING POST	6
-	-	-	-	2	2	BRASS	SOLDER TAIL	5
1	1	1	1	1	1	BRASS	INSULATOR	4
1	1	1	1	1	1	PE-606	HOUSING	3
1	1	1	1	1	1	PBT WHITE	CONTACT	2
1	1	1	1	1	1	BRASS		1
6--2	1--2	6--1	1--1	6--0	1--0	MATERIAL	DESCRIPTION	ITEM

THIS DRAWING IS A CONTROLLED DOCUMENT.

DWN: RITA ZUO 14 Feb 09  
 CHK: ANSON MA 14 Feb 09  
 APVD: BOB ZHAO 14 Feb 09

TE Connectivity  
 BNC LOW PROFILE R/A INSULATED PCB SOCKET  
 50 OHM WHITE

108-112000  
 APPLICATION SPEC

SIZE: A2 CAGE CODE: 00779 DRAWING NO: 1337542 RESTRICTED TO: -

MATERIAL: SEE TABLE FINISH: SEE TABLE WEIGHT: - SCALE: NTS SHEET: 1 OF 1 REV: F