



HESTORE.HU

elektronikai alkatrész áruház

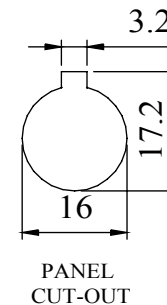
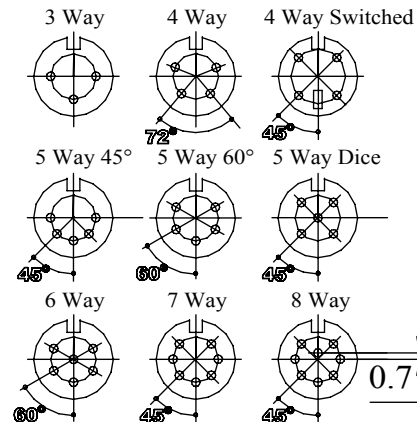
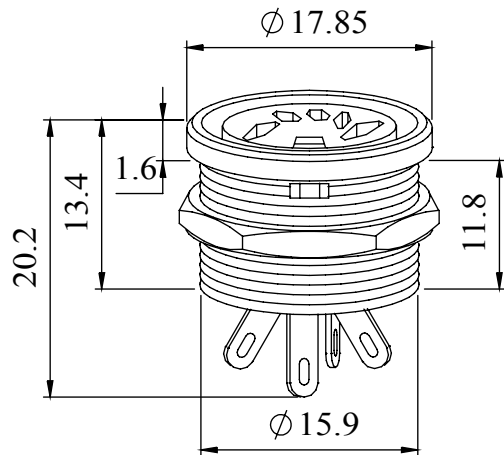
EN: This Datasheet is presented by the manufacturer.

Please visit our website for pricing and availability at www.hestore.hu.

A range of professional chassis mounting sockets, designed for panel mounting via a single hexagonal turned brass nut. These sockets incorporate an anti-rotational locating spigot, and mate with all standard lockable plugs.

Materials	
Housing	Brass
	Nickel Plated
Moulding	Lexan 500R
Contacts	Brass Silver Plated
Nut	Brass Nickel Plated
Electrical	
Rated Voltage	34 V a.c. or d.c.
Current Rating	2.A
Test Voltage	500 V r. m. s.
Insulation Resistance	103 MΩ min at 100 V d.c
Contact Resistance	10 mΩ max
Capacitance (mated)	3pF
Climatic	
Climatic category	25/070/21
Temperature Range	-25°C to +70°C
Damp heat, steady state	21 days

Dimensions



Type	Deltron No
3 Way	650-0300
4 Way	650-0400
4 Way Switched	650-0410
5 Way 45°	650-0500
5 Way 60°	650-0510
5 Way Dice	650-0520
6 Way	650-0600
7 Way	650-0700
8 Way	650-0800

RoHS
2002/95/EC
Compliant

Tel No. +44(0)1724 273200 Website www.dem-uk.com

PROPRIETARY AND CONFIDENTIAL

THE INFORMATION CONTAINED IN THIS DRAWING IS THE SOLE PROPERTY OF ALPHA 3 MANUFACTURING. ANY REPRODUCTION IN PART OR AS A WHOLE WITHOUT THE WRITTEN PERMISSION OF ALPHA 3 MANUFACTURING IS PROHIBITED.

UNLESS OTHERWISE SPECIFIED: DIMENSIONS ARE IN MILLIMETRES LINEAR TOLERANCE: NO DECIMAL PLACES ±0.5mm 1 DECIMAL PLACE ±0.25mm 2 DECIMAL PLACES ±0.125mm ANGULAR TOLERANCE: ±1°

DEM Manufacturing, Deltron Emcon House Hargreaves Way, Sawcliffe Ind. Park, Scunthorpe, North Lincolnshire, DN15 8RF, UK

FINISH

PROFESSIONAL CIRCULAR CHASSIS SOCKET BLACK

IF IN DOUBT ASK DO NOT SCALE DRAWING

MATERIAL

SEE NOTE

DEBURR AND BREAK SHARP EDGES

DRAWN BY SPB APPROVED BY WC

THIRD ANGLE PROJECTION



SHEET 1 OF 1

SCALE 1:1

A4

TITLE GENERAL SPECIFICATION 650 SERIES CHASSIS SOCKET

DRAWING NO. 650 SERIES

ISSUE 06 Release

