



HESTORE.HU

elektronikai alkatrész áruház

EN: This Datasheet is presented by the manufacturer.

Please visit our website for pricing and availability at www.hestore.hu.

Metal Film Resistors

WIREWOUND TECHNOLOGY



MOLDED RESISTORS							
REF.	DATASHEET	POWER RATING	RESISTANCE RANGE	TOL.	TEMP. LIMITS	TYP. TCR	DIMENSIONS L x l x H
	NO.		Ω	%	$^{\circ}\text{C}$	ppm/ $^{\circ}\text{C}$	mm
MSP 1B	50003	25 $^{\circ}\text{C}$ 1 W	0.04 to 2.2K	± 0.1 to ± 5	- 55 + 200	± 25 ± 50 ± 100	6.9 x 3.8 x 3.8
MSP 2B		2 W	0.04 to 4.7K				11.4 x 7 x 5
MSP 3B		2.5 W	0.04 to 13K				14.8 x 7 x 6.6

THICK FILM TECHNOLOGY

MODEL	DATASHEET	POWER RATING	RESISTANCE RANGE STANDARD MODEL	TOL.	TEMP. LIMITS	TYP. TCR	DIMENSIONS
	NO.		Ω	%	$^{\circ}\text{C}$	ppm/ $^{\circ}\text{C}$	mm



TO-220 CASE							
RTO 20	50005	25 $^{\circ}\text{C}$ 20 W	0.012 to 1M	± 1 to ± 10	- 55 + 155	± 150 $\geq 0.5 \Omega$	10.1 x 15 x 4.5
RTO 50	50035	25 $^{\circ}\text{C}$ 50 W					± 250 $\geq 0.1 \Omega$



FOR MOUNTING ONTO A HEATSINK 5 W TO 50 W							
RCH 5	50006	25 $^{\circ}\text{C}$ 5 W	0.24 to 1M	± 1 to ± 10	- 55 + 125	± 150 $R > 1 \Omega$ ± 250 $R < 1 \Omega$	16.6 x 9 x 15
RCH 10		10 W					19 x 11 x 15
RCH 25		25 W					28 x 14 x 15
RCH 50		50 W					47.8 x 15.5 x 15



MODEL	DATASHEET	POWER RATING	RESISTANCE RANGE	TOL.	TEMP. LIMITS	TYP. TCR	DIMENSIONS
	NO.		STANDARD MODEL				
			Ω	%	$^{\circ}\text{C}$	ppm/ $^{\circ}\text{C}$	mm



100 W							
RPH 100	50046	25 $^{\circ}\text{C}$ 100 W	0.092 to 1M	± 1 to ± 10	- 55 + 125	± 300 < 1 Ω ± 150 > 1 Ω	65.5 x 46.7 x 21.6

WIRE THICK FILM TECHNOLOGY

SOT-227 B CASE - 20 W TO 200 W



MODEL	DATASHEET	POWER RATING AT 25 $^{\circ}\text{C}$	RES. RANGE	TOL. PER RES.	ELEC. DIAGRAMS	TEMP. LIMITS	TYP. TCR	DIMENSIONS
	NO.		STD. MODEL					
			Ω	%		$^{\circ}\text{C}$	ppm/ $^{\circ}\text{C}$	mm
RTOP 200	50045	200 W	0.046 to 1M	± 1 to ± 10		- 55 + 125	± 300 $R < 1 \Omega$ ± 150 $R > 1 \Omega$	38 x 25 x 10
RTOP 100		100 W						
DRTOP 100		100 W	0.092 to 1M					
DRTOP 50		50 W						
TRTOP 40		40 W	0.046 to 1M					
TRTOP 30		30 W						
QRTOP 35		35 W						
QRTOP 20		20 W						

HIGH POWER FOR MOUNTING ONTO A HEATSINK - 250 W AND 500 W



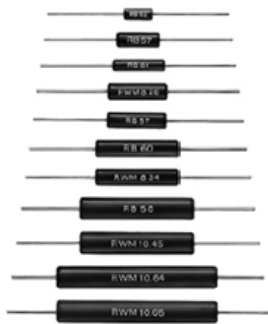
MODEL	DATASHEET	POWER RATING	RES. RANGE	TOL.	TEMP. LIMITS	TYP. TCR	DIMENSIONS
	NO.		STD. MODEL				
			Ω	%	$^{\circ}\text{C}$	ppm/ $^{\circ}\text{C}$	mm
RPS 250D	50007	70 $^{\circ}\text{C}$ 250 W	0.24 to 1M	± 1 to ± 10	- 55 + 125	± 300 < 1 Ω ± 150 > 1 Ω	73 x 60 x 24.5
RPS 500D	50047	70 $^{\circ}\text{C}$ 500 W					



MEDIUM DISSIPATION WIREWOUND RESISTORS

REFERENCES			DATASHEET	POWER RATING	RES. RANGE STD. MODEL	TOL.	TEMP. LIMITS	TYP. TCR	DIMENSIONS	
VISHAY SFERNICE	CECC								NO.	Ω
	NF	BS						mm		mm

ENAMELLED-POWER (E24)



	RWM 4 x 10	RB 59	JB	50008	25 °C 3 W	(1) 5.5 W	0.1 to 10K	± 5 std. ± 1 to ± 10 on req.	- 55 + 350	+ 75	5.5	12
	RWM 4 x 22	RB 61	HB		5 W	7 W	0.1 to 16K				5.5	22.1
	RWM 5 x 26	RB 57	-		7 W	10 W	0.1 to 27K				7.4	24.7
	RWM 6 x 22	RB 57	KB		7 W	10 W	0.1 to 39K				6.5	18
	RWM 8 x 26	RB 60	-		8 W	10 W	0.1 to 27K				7.4	24.7
	RWM 6 x 34	RB 60	LB		8 W	12 W	0.33 to 36K				7.4	33.7
	RWM 8 x 34	RB 58	-		11 W	14 W	0.33 to 36K				7.4	33.7
	RWM 8 x 45	RB 58	MB		11 W	20 W	0.47 to 62K				9.4	44.8
	RWM 10 x 45	-	-		25 W	25 W	0.47 to 62K				9.4	44.8
	RWM 10 x 64	-	-		25 W	25 W	0.68 to 100K				9.4	63.8
	RWM 10 x 65	-	-		30 W	30 W	0.68 to 100K				9.4	63.8

Note

(1) With surface temperature 450 °C

MOLDED-INSULATED-PRECISION (E24-E48-E96)



	RLP 1 molded	RP 8	50009	25 °C 1 W	0.05 to 2.2K	± 0.1 to ± 5	- 55 + 275	± 20 ± 50	2.5	6.5
	RLP 2 molded	RP 7		2 W	0.025 to 6.8K				4	10.2
	RLP 3 insulated	RP 4		3 W	0.01 to 15K				5.54	14
	RLP 6 insulated	-		6 W	0.02 to 59K				8.7	23.8
	RLP 10 insulated	-		10 W	0.06 to 150K				10.3	46.8

MOLDED-INSULATED-PRECISION (E24-E48-E96)



	58 BSI molded	-	50011	25 °C 1 W	0.1 to 2K	± 0.5 to ± 5	- 55 + 200	± 100 ± 300	2.4	6.5
	63 BSI molded	-		2 W	0.025 to 4K				3.7	10
	68 BSI molded	-		3 W	0.01 to 15K				5.6	15
	516 BSI insulated	-		4 W	0.01 to 20K				5	16
	523 BSI insulated	-		5 W	0.015 to 40K				5	23
	923 BSI insulated	-		6 W	0.02 to 60K				9	23
	932 BSI insulated	-		8 W	0.035 to 100K				9	32
	947 BSI insulated	-		10 W	0.06 to 150K				9	47

MEDIUM DISSIPATION WIREWOUND RESISTORS

REFERENCES		DATASHEET	POWER RATING	RES. RANGE STD. MODEL	TOL.	TEMP. LIMITS	TYP. TCR	DIMENSIONS	
VISHAY SFERNICE	CECC							NO.	Ω
	NF BS							mm	mm

MOLDED-PRECISION (E24-E48-E96)



RMB 075	-	-	50010	25 °C 0.75 W	0.1 to 2K	± 0.1 to ± 5	- 55 + 275 + 200	± 20 ± 50	2.5	6.5
RMB 1.5	-	-		1.50 W	0.1 to 6.81K				4	10.2
RMB 3	-	-		3 W	0.051 to 13K				6.4	16.2
RMBS 0.5	RP 1	-		0.50 W	0.1 to 2K				2.5	6.5
RMBS 1	RP 2	-		1 W	0.1 to 6.81K				4	10.2
RMBS 2	RP 3	-		2 W	0.015 to 13K				6.4	16.2

Note

- RMBS spare parts

CEMENTED



SG 3		50012	40 °C 3 W	0.01 to 3.3K	± 1 to ± 10	- 55 + 200	± 150	4.8	13
SG 4			4 W	0.1 to 3.9K				5.5	15.8

Note

- Undergoes European Quality Insurance System (CECC)

HIGH DISSIPATION WIREWOUND RESISTORS

REFERENCES		DATASHEET	POWER RATING	RES. RANGE STD. MODEL	TOL.	TEMP. LIMITS	TYP. TCR	DIMENSIONS	
VISHAY SFERNICE	CECC CONF.							NO.	Ω
								mm	mm

VITREOUS EXTERNAL RINGS OR COLLARS (E12)



RW 8 x 34	-	50016	25 °C 13 W	1 to 10K	± 5	- 55 + 450	+ 75	11.5	34
RW 10 x 50	-		20 W	1 to 27K				13	50
RW 13 x 70	RB 13.70		32 W	2.2 to 56K				16	70
RW 16 x 94	-		50 W	2.2 to 56K				19.5	94
RW 20 x 117	RB 20.117		80 W	2.7 to 68K				23	117

VITREOUS EXTERNAL COLLARS ELECTRICAL TRACTION (E12)



RWST 25 x 138	-	50017	25 °C 110 W	2.7 to 82K	± 5	- 55 + 450	+ 75	28	138
RWST 25 x 168	RB 25 x 168		180 W	2.7 to 100K				28	168
RWST 30 x 250	RB 30 x 250		320 W	4.7 to 220K				33	250
RWST 40 x 370	-		600 W	8.2 to 360K				45	370
RWST 50 x 373	-		800 W	12 to 430K				53	373

REFERENCES		DATASHEET NO.	POWER RATING	RES. RANGE	TOL.	TEMP. LIMITS	TYP. TCR	DIMENSIONS	
VISHAY SFERNICE	CECC CONF.			STD. MODEL				Ω	%

VITREOUS ADJUSTABLE (E6)

RA Model
B Collars



RA 13 x 70	RBA 13.70	50019	25 °C 21 W	33 to 3.9K	± 10	- 55 + 350	+ 75	16	70
RA 16 x 94	-		35 W	68 to 3.9K				19.5	94
RA 20 x 117	RBA 20.117		50 W	100 to 4.7K				23	117
RA 25 x 138	-		75 W	150 to 6.8K				28	138
RA 25 x 168	RBA 25.168		120 W	220 to 10K				28	168
RA 30 x 250	-		180 W	330 to 22K				33	250

VITREOUS UNDULATED WIREWOUND (E12)



RSO 25 x 138	-	50018	25 °C 160 W	0.068 to 12	± 5 to ± 10	- 55 + 450	+ 75	39	138
RSO 25 x 168	-		200 W	0.1 to 18				39	168
RSO 30 x 250	-		350 W	0.22 to 33				44	250
RSO 40 x 370	-		700 W	0.33 to 56				54.5	370
RSO 50 x 373	-		1000 W	0.39 to 68				65	373

FIXED OR ADJUSTABLE SEMI-VITREOUS (E12)



RSSD 8 x 34	50020	25 °C 16 W	0.12 to 10	± 5 to ± 20	- 55 + 450	± 75	10	34
RSSD 10 x 50		25 W	0.12 to 22				11.5	50
RSSD 13 x 70		42 W	0.12 to 43				14.5	70
RSSD 16 x 94		70 W	0.33 to 75				18	94
RSSD 20 x 117		100 W	0.22 to 100				22	117
RSSD 25 x 138		140 W	0.1 to 150				27	138
RSSD 25 x 168		200 W	0.12 to 220				27	168
RSSD 30 x 250		280 W	0.22 to 360				32	250
RSSD 40 x 370		450 W	0.47 to 470				43	370
RSSD 50 x 373		600 W	0.68 to 560				53	373



HEATSINK ENCASED-PRECISION (E24-E48-E96)									
REFERENCES		DATASHEET NO.	POWER RATING ⁽¹⁾	RES. RANGE STD. MODEL Ω	TOL. %	TEMP. LIMITS °C	TYP. TCR ppm/°C	DIMENSIONS	
VISHAY SFERNICE	CECC CONF.							Ø NOM. mm	L NOM. mm
RH 5	RE 4	50013	25 °C 100 W	0.01 to 12K	± 0.1 to ± 10	- 55 + 200	± 20	8.9	16.3
RH 10	RE 1		12.5 W	0.006 to 20K				11	19
RH 25	RE 2		25 W	0.006 to 62K				15	28
RH 50	RE 3		50 W	0.006 to 130K				15	50

Notes

- Undergoes European Quality Insurance System (CECC)
- (1) Chassis mounted

MEDIUM DISSIPATION WIREWOUND RESISTORS



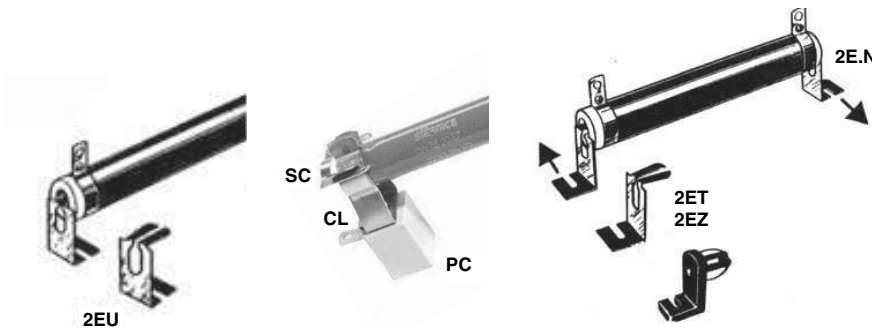
HEATSINK INDUSTRIAL APPLICATIONS									
REFERENCES		DATASHEET NO.	POWER RATING ⁽¹⁾	RES. RANGE STD. MODEL Ω	TOL. %	TEMP. LIMITS °C	TYP. TCR ppm/°C	DIMENSIONS	
								Ø NOM. mm	L NOM. mm
SH 5		50014	25 °C 10 W	0.1 to 3.3K	± 5	- 55 + 200	± 50 R > 5 Ω	8.9	16.3
SH 10			12.5 W	0.1 to 15K				11	19
SH 25			25 W	0.1 to 33K				15	28
SH 50			50 W					15	50

Notes

- (1) Chassis mounted

MOUNTING DEVICES

See datasheets 2E, SAT and CL-SC PC



WIREWOUND RHEOSTATS


VITREOUS - RT... L MODEL (RT E6 RTE)						
REFERENCES		DATASHEET	POWER RATING	RESISTANCE RANGE STANDARD MODEL	TOL.	TEMP. LIMITS
VISHAY SFERNICE	CCTU	NO.		Ω	%	°C
RT 12L/ RTE 12	PA 9	50025	25 °C 12 W	1 to 2.2K/4.7K	± 10	RT - 55 + 320 RTE - 55 + 220
RT 25L/ RTE 25	PA 1	50026	25 W	1 to 4.7K/13.5K		
RT 55L/ RTE 55	PA 3	50027	55 W	1 to 10K/28K		
RT 100L/ RTE 100	PA 5	50028	100 W	1 to 15K/54K		
RT 230 L/ RTE 230	PA 7	50029	250 W	1 to 22K/95K		
RT 500L	-	50030	500 W	1 to 22K/95K 1 to 33K		

Note

- Special features, sectorial winding, ganging