



HESTORE.HU

elektronikai alkatrész áruház

EN: This Datasheet is presented by the manufacturer.

Please visit our website for pricing and availability at www.hestore.hu.

General purpose crocodile clip, manufactured from nickel plated steel. This product has been engineered to allow fine wires to be held securely by an undercut turned brass clamping screw. There is a rear entry that will accept 4mm plugs.

MATERIAL

CLIP

Mild Steel,
Nickel plated

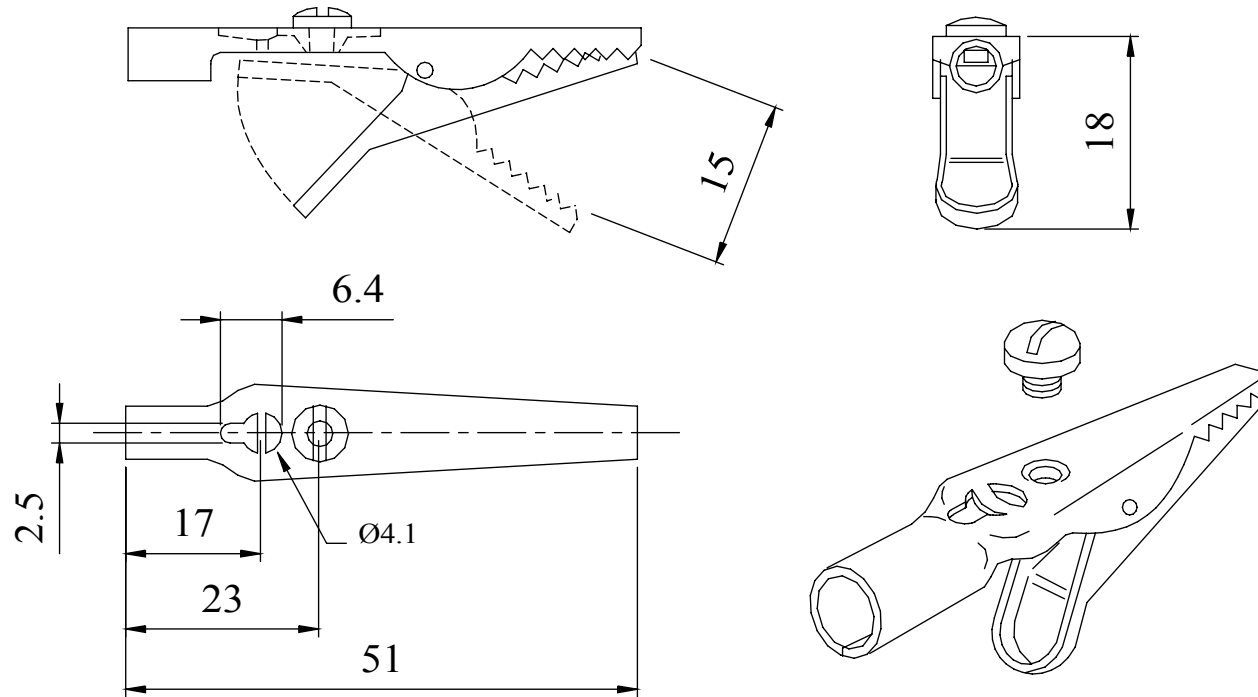
SCREW

Brass,
BS 2874 CZ121

Current Rating: 5 Amps

RATED VOLTAGE: 50V

Dimensions



Tel No. +44(0)1724 273200 Website www.dem-uk.com

PROPRIETARY AND CONFIDENTIAL
THE INFORMATION CONTAINED IN THIS DRAWING IS THE SOLE PROPERTY OF
ALPHA 3 MANUFACTURING.
ANY REPRODUCTION IN PART OR AS A WHOLE WITHOUT THE WRITTEN PERMISSION OF
ALPHA 3 MANUFACTURING IS PROHIBITED.

UNLESS OTHERWISE SPECIFIED:
DIMENSIONS ARE IN MILLIMETRES
LINEAR TOLERANCE:
NO DECIMAL PLACES ±0.5mm
1 DECIMAL PLACE ±0.25mm
2 DECIMAL PLACES ±0.125mm
ANGULAR TOLERANCE: ±1°



DEM Manufacturing, Deltron Emcon House
Hargreaves Way, Sawcliffe Ind. Park,
Scunthorpe, North Lincolnshire, DN15 8RF, UK

FINISH SEE NOTE

DEBURR AND BREAK
SHARP EDGES

DRAWN BY
APPROVED BY

SPB
WC

TITLE GENERAL SPECIFICATION
CROCODILE CLIP
303-0000

IF IN DOUBT ASK
DO NOT SCALE DRAWING

THIRD ANGLE PROJECTION

SHEET 1 OF 1

DRAWING NO.
303-0000

ISSUE **04**

MATERIAL SEE NOTE



SCALE 1:1
A4

Release