



**HESTORE.HU**

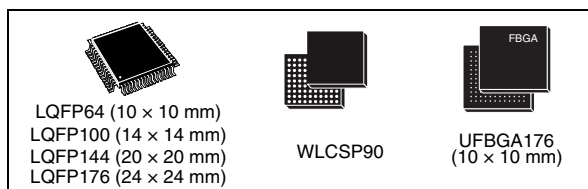
elektronikai alkatrész áruház

**EN:** This Datasheet is presented by the manufacturer.

Please visit our website for pricing and availability at [www.hestore.hu](http://www.hestore.hu).

ARM Cortex-M4 32b MCU+FPU, 210DMIPS, up to 1MB Flash/192+4KB RAM, USB OTG HS/FS, Ethernet, 17 TIMs, 3 ADCs, 15 comm. interfaces & camera

Datasheet - production data



## Features

- Core: ARM 32-bit Cortex™-M4 CPU with FPU, Adaptive real-time accelerator (ART Accelerator™) allowing 0-wait state execution from Flash memory, frequency up to 168 MHz, memory protection unit, 210 DMIPS/1.25 DMIPS/MHz (Dhrystone 2.1), and DSP instructions
- Memories
  - Up to 1 Mbyte of Flash memory
  - Up to 192+4 Kbytes of SRAM including 64-Kbyte of CCM (core coupled memory) data RAM
  - Flexible static memory controller supporting Compact Flash, SRAM, PSRAM, NOR and NAND memories
- LCD parallel interface, 8080/6800 modes
- Clock, reset and supply management
  - 1.8 V to 3.6 V application supply and I/Os
  - POR, PDR, PVD and BOR
  - 4-to-26 MHz crystal oscillator
  - Internal 16 MHz factory-trimmed RC (1% accuracy)
  - 32 kHz oscillator for RTC with calibration
  - Internal 32 kHz RC with calibration
- Low power
  - Sleep, Stop and Standby modes
  - V<sub>BAT</sub> supply for RTC, 20×32 bit backup registers + optional 4 KB backup SRAM
- 3×12-bit, 2.4 MSPS A/D converters: up to 24 channels and 7.2 MSPS in triple interleaved mode
- 2×12-bit D/A converters
- General-purpose DMA: 16-stream DMA controller with FIFOs and burst support
- Up to 17 timers: up to twelve 16-bit and two 32-bit timers up to 168 MHz, each with up to 4 IC/OC/PWM or pulse counter and quadrature (incremental) encoder input
- Debug mode
  - Serial wire debug (SWD) & JTAG interfaces
  - Cortex-M4 Embedded Trace Macrocell™
- Up to 140 I/O ports with interrupt capability
  - Up to 136 fast I/Os up to 84 MHz
  - Up to 138 5 V-tolerant I/Os
- Up to 15 communication interfaces
  - Up to 3 × I<sup>2</sup>C interfaces (SMBus/PMBus)
  - Up to 4 USARTs/2 UARTs (10.5 Mbit/s, ISO 7816 interface, LIN, IrDA, modem control)
  - Up to 3 SPIs (42 Mbits/s), 2 with muxed full-duplex I<sup>2</sup>S to achieve audio class accuracy via internal audio PLL or external clock
  - 2 × CAN interfaces (2.0B Active)
  - SDIO interface
- Advanced connectivity
  - USB 2.0 full-speed device/host/OTG controller with on-chip PHY
  - USB 2.0 high-speed/full-speed device/host/OTG controller with dedicated DMA, on-chip full-speed PHY and ULPI
  - 10/100 Ethernet MAC with dedicated DMA: supports IEEE 1588v2 hardware, MII/RMII
- 8- to 14-bit parallel camera interface up to 54 Mbytes/s
- True random number generator
- CRC calculation unit
- 96-bit unique ID
- RTC: subsecond accuracy, hardware calendar

Table 1. Device summary

| Reference   | Part number  |
|-------------|--|
| STM32F405xx | STM32F405RG, STM32F405VG, STM32F405ZG, STM32F405OG, STM32F405OE              |
| STM32F407xx | STM32F407VG, STM32F407IG, STM32F407ZG, STM32F407VE, STM32F407ZE, STM32F407IE |

# Contents

- 1 Introduction ..... 11**
- 2 Description ..... 12**
  - 2.1 Full compatibility throughout the family ..... 15
  - 2.2 Device overview ..... 18
    - 2.2.1 ARM® Cortex™-M4F core with embedded Flash and SRAM ..... 19
    - 2.2.2 Adaptive real-time memory accelerator (ART Accelerator™) ..... 19
    - 2.2.3 Memory protection unit ..... 19
    - 2.2.4 Embedded Flash memory ..... 19
    - 2.2.5 CRC (cyclic redundancy check) calculation unit ..... 20
    - 2.2.6 Embedded SRAM ..... 20
    - 2.2.7 Multi-AHB bus matrix ..... 20
    - 2.2.8 DMA controller (DMA) ..... 21
    - 2.2.9 Flexible static memory controller (FSMC) ..... 22
    - 2.2.10 Nested vectored interrupt controller (NVIC) ..... 22
    - 2.2.11 External interrupt/event controller (EXTI) ..... 22
    - 2.2.12 Clocks and startup ..... 22
    - 2.2.13 Boot modes ..... 23
    - 2.2.14 Power supply schemes ..... 23
    - 2.2.15 Power supply supervisor ..... 23
    - 2.2.16 Voltage regulator ..... 25
    - 2.2.17 Regulator ON/OFF and internal reset ON/OFF availability ..... 28
    - 2.2.18 Real-time clock (RTC), backup SRAM and backup registers ..... 28
    - 2.2.19 Low-power modes ..... 29
    - 2.2.20 V<sub>BAT</sub> operation ..... 30
    - 2.2.21 Timers and watchdogs ..... 30
    - 2.2.22 Inter-integrated circuit interface (I<sup>2</sup>C) ..... 33
    - 2.2.23 Universal synchronous/asynchronous receiver transmitters (USART) . 33
    - 2.2.24 Serial peripheral interface (SPI) ..... 34
    - 2.2.25 Inter-integrated sound (I2S) ..... 34
    - 2.2.26 Audio PLL (PLLI2S) ..... 34
    - 2.2.27 Secure digital input/output interface (SDIO) ..... 35
    - 2.2.28 Ethernet MAC interface with dedicated DMA and IEEE 1588 support . 35
    - 2.2.29 Controller area network (bxCAN) ..... 36

|          |   |           |
|----------|---|-----------|
| 2.2.30   | Universal serial bus on-the-go full-speed (OTG_FS) . . . . .            | 36        |
| 2.2.31   | Universal serial bus on-the-go high-speed (OTG_HS) . . . . .            | 36        |
| 2.2.32   | Digital camera interface (DCMI) . . . . .                               | 37        |
| 2.2.33   | Random number generator (RNG) . . . . .                                 | 37        |
| 2.2.34   | General-purpose input/outputs (GPIOs) . . . . .                         | 37        |
| 2.2.35   | Analog-to-digital converters (ADCs) . . . . .                           | 37        |
| 2.2.36   | Temperature sensor . . . . .  | 37        |
| 2.2.37   | Digital-to-analog converter (DAC) . . . . .                             | 38        |
| 2.2.38   | Serial wire JTAG debug port (SWJ-DP) . . . . .                          | 38        |
| 2.2.39   | Embedded Trace Macrocell™ . . . . .                                     | 38        |
| <b>3</b> | <b>Pinouts and pin description . . . . .</b>                            | <b>39</b> |
| <b>4</b> | <b>Memory mapping . . . . .</b>   | <b>69</b> |
| <b>5</b> | <b>Electrical characteristics . . . . .</b>                             | <b>74</b> |
| 5.1      | Parameter conditions . . . . .  | 74        |
| 5.1.1    | Minimum and maximum values . . . . .                                    | 74        |
| 5.1.2    | Typical values . . . . .  | 74        |
| 5.1.3    | Typical curves . . . . .  | 74        |
| 5.1.4    | Loading capacitor . . . . .   | 74        |
| 5.1.5    | Pin input voltage . . . . .   | 74        |
| 5.1.6    | Power supply scheme . . . . .   | 75        |
| 5.1.7    | Current consumption measurement . . . . .                               | 76        |
| 5.2      | Absolute maximum ratings . . . . .                                      | 76        |
| 5.3      | Operating conditions . . . . .  | 77        |
| 5.3.1    | General operating conditions . . . . .                                  | 77        |
| 5.3.2    | VCAP_1/VCAP_2 external capacitor . . . . .                              | 79        |
| 5.3.3    | Operating conditions at power-up / power-down (regulator ON) . . . . .  | 80        |
| 5.3.4    | Operating conditions at power-up / power-down (regulator OFF) . . . . . | 80        |
| 5.3.5    | Embedded reset and power control block characteristics . . . . .        | 80        |
| 5.3.6    | Supply current characteristics . . . . .                                | 82        |
| 5.3.7    | Wakeup time from low-power mode . . . . .                               | 95        |
| 5.3.8    | External clock source characteristics . . . . .                         | 96        |
| 5.3.9    | Internal clock source characteristics . . . . .                         | 99        |
| 5.3.10   | PLL characteristics . . . . .   | 100       |
| 5.3.11   | PLL spread spectrum clock generation (SSCG) characteristics . . . . .   | 102       |

|                   |  |            |
|-------------------|--|------------|
| 5.3.12            | Memory characteristics                                 | 104        |
| 5.3.13            | EMC characteristics                                    | 106        |
| 5.3.14            | Absolute maximum ratings (electrical sensitivity)      | 108        |
| 5.3.15            | I/O current injection characteristics                  | 109        |
| 5.3.16            | I/O port characteristics                               | 109        |
| 5.3.17            | NRST pin characteristics                               | 113        |
| 5.3.18            | TIM timer characteristics                              | 114        |
| 5.3.19            | Communications interfaces                              | 116        |
| 5.3.20            | 12-bit ADC characteristics                             | 129        |
| 5.3.21            | Temperature sensor characteristics                     | 134        |
| 5.3.22            | V <sub>BAT</sub> monitoring characteristics            | 134        |
| 5.3.23            | Embedded reference voltage                             | 135        |
| 5.3.24            | DAC electrical characteristics                         | 135        |
| 5.3.25            | FSMC characteristics                                   | 137        |
| 5.3.26            | Camera interface (DCMI) timing specifications          | 155        |
| 5.3.27            | SD/SDIO MMC card host interface (SDIO) characteristics | 156        |
| 5.3.28            | RTC characteristics                                    | 157        |
| <b>6</b>          | <b>Package characteristics</b>                         | <b>158</b> |
| 6.1               | Package mechanical data                                | 158        |
| 6.2               | Thermal characteristics                                | 169        |
| <b>7</b>          | <b>Part numbering</b>                                  | <b>170</b> |
| <b>Appendix A</b> | <b>Application block diagrams</b>                      | <b>171</b> |
| A.1               | USB OTG full speed (FS) interface solutions            | 171        |
| A.2               | USB OTG high speed (HS) interface solutions            | 173        |
| A.3               | Ethernet interface solutions                           | 174        |
| <b>8</b>          | <b>Revision history</b>                                | <b>176</b> |

## List of tables

|           |   |     |
|-----------|---|-----|
| Table 1.  | Device summary  | 1   |
| Table 2.  | STM32F405xx and STM32F407xx: features and peripheral counts   | 13  |
| Table 3.  | Regulator ON/OFF and internal reset ON/OFF availability   | 28  |
| Table 4.  | Timer feature comparison  | 30  |
| Table 5.  | USART feature comparison  | 34  |
| Table 6.  | Legend/abbreviations used in the pinout table   | 44  |
| Table 7.  | STM32F40x pin and ball definitions  | 45  |
| Table 8.  | FSMC pin definition   | 57  |
| Table 9.  | Alternate function mapping  | 60  |
| Table 10. | STM32F40x register boundary addresses   | 70  |
| Table 11. | Voltage characteristics   | 76  |
| Table 12. | Current characteristics   | 77  |
| Table 13. | Thermal characteristics   | 77  |
| Table 14. | General operating conditions  | 77  |
| Table 15. | Limitations depending on the operating power supply range   | 79  |
| Table 16. | VCAP_1/VCAP_2 operating conditions  | 80  |
| Table 17. | Operating conditions at power-up / power-down (regulator ON)  | 80  |
| Table 18. | Operating conditions at power-up / power-down (regulator OFF)   | 80  |
| Table 19. | Embedded reset and power control block characteristics  | 81  |
| Table 20. | Typical and maximum current consumption in Run mode, code with data processing running from Flash memory (ART accelerator enabled) or RAM | 83  |
| Table 21. | Typical and maximum current consumption in Run mode, code with data processing running from Flash memory (ART accelerator disabled)       | 84  |
| Table 22. | Typical and maximum current consumption in Sleep mode   | 87  |
| Table 23. | Typical and maximum current consumptions in Stop mode   | 88  |
| Table 24. | Typical and maximum current consumptions in Standby mode  | 88  |
| Table 25. | Typical and maximum current consumptions in V <sub>BAT</sub> mode   | 89  |
| Table 26. | Switching output I/O current consumption  | 92  |
| Table 27. | Peripheral current consumption  | 93  |
| Table 28. | Low-power mode wakeup timings   | 95  |
| Table 29. | High-speed external user clock characteristics  | 96  |
| Table 30. | Low-speed external user clock characteristics   | 96  |
| Table 31. | HSE 4-26 MHz oscillator characteristics   | 98  |
| Table 32. | LSE oscillator characteristics (f <sub>LSE</sub> = 32.768 kHz)  | 99  |
| Table 33. | HSI oscillator characteristics  | 99  |
| Table 34. | LSI oscillator characteristics  | 100 |
| Table 35. | Main PLL characteristics  | 101 |
| Table 36. | PLLI2S (audio PLL) characteristics  | 101 |
| Table 37. | SSCG parameters constraint  | 102 |
| Table 38. | Flash memory characteristics  | 104 |
| Table 39. | Flash memory programming  | 104 |
| Table 40. | Flash memory programming with V <sub>PP</sub>   | 106 |
| Table 41. | Flash memory endurance and data retention   | 106 |
| Table 42. | EMS characteristics   | 107 |
| Table 43. | EMI characteristics   | 108 |
| Table 44. | ESD absolute maximum ratings  | 108 |
| Table 45. | Electrical sensitivities  | 109 |
| Table 46. | I/O current injection susceptibility  | 109 |

|           |   |     |
|-----------|---|-----|
| Table 47. | I/O static characteristics . . . . .  | 110 |
| Table 48. | Output voltage characteristics . . . . .  | 111 |
| Table 49. | I/O AC characteristics . . . . .  | 112 |
| Table 50. | NRST pin characteristics . . . . .  | 114 |
| Table 51. | Characteristics of TIMx connected to the APB1 domain . . . . .  | 115 |
| Table 52. | Characteristics of TIMx connected to the APB2 domain . . . . .  | 116 |
| Table 53. | I <sup>2</sup> C characteristics . . . . .  | 116 |
| Table 54. | SCL frequency ( $f_{PCLK1} = 42 \text{ MHz}, V_{DD} = 3.3 \text{ V}$ ) . . . . .                      | 118 |
| Table 55. | SPI dynamic characteristics . . . . .   | 118 |
| Table 56. | I2S dynamic characteristics . . . . .   | 122 |
| Table 57. | USB OTG FS startup time . . . . .   | 124 |
| Table 58. | USB OTG FS DC electrical characteristics . . . . .  | 124 |
| Table 59. | USB OTG FS electrical characteristics . . . . .   | 125 |
| Table 60. | USB HS DC electrical characteristics . . . . .  | 125 |
| Table 61. | USB HS clock timing parameters . . . . .  | 125 |
| Table 62. | ULPI timing . . . . .   | 126 |
| Table 63. | Ethernet DC electrical characteristics . . . . .  | 127 |
| Table 64. | Dynamic characteristics: Ethernet MAC signals for SMI . . . . .                                       | 127 |
| Table 65. | Dynamic characteristics: Ethernet MAC signals for RMII . . . . .                                      | 128 |
| Table 66. | Dynamic characteristics: Ethernet MAC signals for MII . . . . .                                       | 128 |
| Table 67. | ADC characteristics . . . . .   | 129 |
| Table 68. | ADC accuracy at $f_{ADC} = 30 \text{ MHz}$ . . . . .  | 131 |
| Table 69. | Temperature sensor characteristics . . . . .  | 134 |
| Table 70. | Temperature sensor calibration values . . . . .   | 134 |
| Table 71. | $V_{BAT}$ monitoring characteristics . . . . .  | 134 |
| Table 72. | Embedded internal reference voltage . . . . .   | 135 |
| Table 73. | Internal reference voltage calibration values . . . . .   | 135 |
| Table 74. | DAC characteristics . . . . .   | 135 |
| Table 75. | Asynchronous non-multiplexed SRAM/PSRAM/NOR read timings . . . . .                                    | 138 |
| Table 76. | Asynchronous non-multiplexed SRAM/PSRAM/NOR write timings . . . . .                                   | 139 |
| Table 77. | Asynchronous multiplexed PSRAM/NOR read timings . . . . .   | 140 |
| Table 78. | Asynchronous multiplexed PSRAM/NOR write timings . . . . .  | 141 |
| Table 79. | Synchronous multiplexed NOR/PSRAM read timings . . . . .  | 143 |
| Table 80. | Synchronous multiplexed PSRAM write timings . . . . .   | 144 |
| Table 81. | Synchronous non-multiplexed NOR/PSRAM read timings . . . . .  | 145 |
| Table 82. | Synchronous non-multiplexed PSRAM write timings . . . . .   | 147 |
| Table 83. | Switching characteristics for PC Card/CF read and write cycles<br>in attribute/common space . . . . . | 151 |
| Table 84. | Switching characteristics for PC Card/CF read and write cycles<br>in I/O space . . . . .              | 152 |
| Table 85. | Switching characteristics for NAND Flash read cycles . . . . .  | 154 |
| Table 86. | Switching characteristics for NAND Flash write cycles . . . . .                                       | 155 |
| Table 87. | DCMI characteristics . . . . .  | 155 |
| Table 88. | Dynamic characteristics: SD / MMC characteristics . . . . .   | 157 |
| Table 89. | RTC characteristics . . . . .   | 157 |
| Table 90. | WLCSP90 - 0.400 mm pitch wafer level chip size package mechanical data . . . . .                      | 159 |
| Table 91. | LQFP64 – 10 x 10 mm 64 pin low-profile quad flat package mechanical data . . . . .                    | 160 |
| Table 92. | LQFP100 – 14 x 14 mm 100-pin low-profile quad flat package mechanical data . . . . .                  | 162 |
| Table 93. | LQFP144, 20 x 20 mm, 144-pin low-profile quad flat package mechanical data . . . . .                  | 164 |
| Table 94. | UFBGA176+25 - ultra thin fine pitch ball grid array 10 × 10 × 0.6 mm<br>mechanical data . . . . .     | 166 |
| Table 95. | LQFP176, 24 x 24 mm, 176-pin low-profile quad flat package mechanical data . . . . .                  | 167 |

|           |   |     |
|-----------|---|-----|
| Table 96. | Package thermal characteristics . . . . . | 169 |
| Table 97. | Ordering information scheme . . . . .     | 170 |
| Table 98. | Document revision history . . . . .       | 176 |



## List of figures

|            |   |     |
|------------|---|-----|
| Figure 1.  | Compatible board design between STM32F10xx/STM32F4xx for LQFP64 . . . . .   | 15  |
| Figure 2.  | Compatible board design STM32F10xx/STM32F2xx/STM32F4xx<br>for LQFP100 package. . . . .  | 16  |
| Figure 3.  | Compatible board design between STM32F10xx/STM32F2xx/STM32F4xx<br>for LQFP144 package. . . . .  | 16  |
| Figure 4.  | Compatible board design between STM32F2xx and STM32F4xx<br>for LQFP176 and BGA176 packages . . . . .  | 17  |
| Figure 5.  | STM32F40x block diagram. . . . .  | 18  |
| Figure 6.  | Multi-AHB matrix . . . . .  | 21  |
| Figure 7.  | Power supply supervisor interconnection with internal reset OFF . . . . .   | 24  |
| Figure 8.  | PDR_ON and NRST control with internal reset OFF . . . . .   | 25  |
| Figure 9.  | Regulator OFF . . . . .   | 26  |
| Figure 10. | Startup in regulator OFF mode: slow $V_{DD}$ slope<br>- power-down reset risen after $V_{CAP\_1}/V_{CAP\_2}$ stabilization . . . . .                                  | 27  |
| Figure 11. | Startup in regulator OFF mode: fast $V_{DD}$ slope<br>- power-down reset risen before $V_{CAP\_1}/V_{CAP\_2}$ stabilization . . . . .                                 | 28  |
| Figure 12. | STM32F40x LQFP64 pinout . . . . .   | 39  |
| Figure 13. | STM32F40x LQFP100 pinout . . . . .  | 40  |
| Figure 14. | STM32F40x LQFP144 pinout . . . . .  | 41  |
| Figure 15. | STM32F40x LQFP176 pinout . . . . .  | 42  |
| Figure 16. | STM32F40x UFBGA176 ballout . . . . .  | 43  |
| Figure 17. | STM32F40x WLCSP90 ballout . . . . .   | 44  |
| Figure 18. | STM32F40x memory map . . . . .  | 69  |
| Figure 19. | Pin loading conditions . . . . .  | 74  |
| Figure 20. | Pin input voltage . . . . .   | 74  |
| Figure 21. | Power supply scheme . . . . .   | 75  |
| Figure 22. | Current consumption measurement scheme . . . . .  | 76  |
| Figure 23. | External capacitor $C_{EXT}$ . . . . .  | 80  |
| Figure 24. | Typical current consumption versus temperature, Run mode, code with data<br>processing running from Flash (ART accelerator ON) or RAM, and peripherals OFF . . . . .  | 85  |
| Figure 25. | Typical current consumption versus temperature, Run mode, code with data<br>processing running from Flash (ART accelerator ON) or RAM, and peripherals ON . . . . .   | 85  |
| Figure 26. | Typical current consumption versus temperature, Run mode, code with data<br>processing running from Flash (ART accelerator OFF) or RAM, and peripherals OFF . . . . . | 86  |
| Figure 27. | Typical current consumption versus temperature, Run mode, code with data<br>processing running from Flash (ART accelerator OFF) or RAM, and peripherals ON . . . . .  | 86  |
| Figure 28. | Typical $V_{BAT}$ current consumption (LSE and RTC ON/backup RAM OFF) . . . . .   | 89  |
| Figure 29. | Typical $V_{BAT}$ current consumption (LSE and RTC ON/backup RAM ON) . . . . .  | 90  |
| Figure 30. | High-speed external clock source AC timing diagram . . . . .  | 97  |
| Figure 31. | Low-speed external clock source AC timing diagram . . . . .   | 97  |
| Figure 32. | Typical application with an 8 MHz crystal . . . . .   | 98  |
| Figure 33. | Typical application with a 32.768 kHz crystal . . . . .   | 99  |
| Figure 34. | $ACC_{LSI}$ versus temperature . . . . .  | 100 |
| Figure 35. | PLL output clock waveforms in center spread mode . . . . .  | 103 |
| Figure 36. | PLL output clock waveforms in down spread mode . . . . .  | 104 |
| Figure 37. | I/O AC characteristics definition . . . . .   | 113 |
| Figure 38. | Recommended NRST pin protection . . . . .   | 114 |
| Figure 39. | I <sup>2</sup> C bus AC waveforms and measurement circuit . . . . .   | 117 |

|            |   |     |
|------------|---|-----|
| Figure 40. | SPI timing diagram - slave mode and CPHA = 0  | 120 |
| Figure 41. | SPI timing diagram - slave mode and CPHA = 1  | 120 |
| Figure 42. | SPI timing diagram - master mode  | 121 |
| Figure 43. | I2S slave timing diagram (Philips protocol)   | 123 |
| Figure 44. | I2S master timing diagram (Philips protocol) <sup>(1)</sup>                           | 123 |
| Figure 45. | USB OTG FS timings: definition of data signal rise and fall time                      | 124 |
| Figure 46. | ULPI timing diagram   | 126 |
| Figure 47. | Ethernet SMI timing diagram   | 127 |
| Figure 48. | Ethernet RMII timing diagram  | 127 |
| Figure 49. | Ethernet MII timing diagram   | 128 |
| Figure 50. | ADC accuracy characteristics  | 131 |
| Figure 51. | Typical connection diagram using the ADC  | 132 |
| Figure 52. | Power supply and reference decoupling ( $V_{REF+}$ not connected to $V_{DDA}$ )       | 133 |
| Figure 53. | Power supply and reference decoupling ( $V_{REF+}$ connected to $V_{DDA}$ )           | 133 |
| Figure 54. | 12-bit buffered /non-buffered DAC   | 137 |
| Figure 55. | Asynchronous non-multiplexed SRAM/PSRAM/NOR read waveforms                            | 138 |
| Figure 56. | Asynchronous non-multiplexed SRAM/PSRAM/NOR write waveforms                           | 139 |
| Figure 57. | Asynchronous multiplexed PSRAM/NOR read waveforms                                     | 140 |
| Figure 58. | Asynchronous multiplexed PSRAM/NOR write waveforms                                    | 141 |
| Figure 59. | Synchronous multiplexed NOR/PSRAM read timings  | 143 |
| Figure 60. | Synchronous multiplexed PSRAM write timings   | 144 |
| Figure 61. | Synchronous non-multiplexed NOR/PSRAM read timings                                    | 145 |
| Figure 62. | Synchronous non-multiplexed PSRAM write timings                                       | 146 |
| Figure 63. | PC Card/CompactFlash controller waveforms for common memory read access               | 148 |
| Figure 64. | PC Card/CompactFlash controller waveforms for common memory write access              | 148 |
| Figure 65. | PC Card/CompactFlash controller waveforms for attribute memory read access            | 149 |
| Figure 66. | PC Card/CompactFlash controller waveforms for attribute memory write access           | 150 |
| Figure 67. | PC Card/CompactFlash controller waveforms for I/O space read access                   | 150 |
| Figure 68. | PC Card/CompactFlash controller waveforms for I/O space write access                  | 151 |
| Figure 69. | NAND controller waveforms for read access   | 153 |
| Figure 70. | NAND controller waveforms for write access  | 153 |
| Figure 71. | NAND controller waveforms for common memory read access                               | 154 |
| Figure 72. | NAND controller waveforms for common memory write access                              | 154 |
| Figure 73. | DCMI timing diagram   | 155 |
| Figure 74. | SDIO high-speed mode  | 156 |
| Figure 75. | SD default mode   | 157 |
| Figure 76. | WLCSP90 - 0.400 mm pitch wafer level chip size package outline                        | 159 |
| Figure 77. | LQFP64 – 10 x 10 mm 64 pin low-profile quad flat package outline                      | 160 |
| Figure 78. | LQFP64 recommended footprint  | 161 |
| Figure 79. | LQFP100, 14 x 14 mm 100-pin low-profile quad flat package outline                     | 162 |
| Figure 80. | LQFP100 recommended footprint   | 163 |
| Figure 81. | LQFP144, 20 x 20 mm, 144-pin low-profile quad flat package outline                    | 164 |
| Figure 82. | LQFP144 recommended footprint   | 165 |
| Figure 83. | UFPGA176+25 - ultra thin fine pitch ball grid array 10 × 10 × 0.6 mm, package outline | 166 |
| Figure 84. | LQFP176 24 x 24 mm, 176-pin low-profile quad flat package outline                     | 167 |
| Figure 85. | LQFP176 recommended footprint   | 168 |
| Figure 86. | USB controller configured as peripheral-only and used in Full speed mode              | 171 |
| Figure 87. | USB controller configured as host-only and used in full speed mode                    | 171 |

|            |   |     |
|------------|---|-----|
| Figure 88. | USB controller configured in dual mode and used in full speed mode . . . . .                        | 172 |
| Figure 89. | USB controller configured as peripheral, host, or dual-mode<br>and used in high speed mode. . . . . | 173 |
| Figure 90. | MII mode using a 25 MHz crystal . . . . .   | 174 |
| Figure 91. | RMII with a 50 MHz oscillator . . . . .   | 174 |
| Figure 92. | RMII with a 25 MHz crystal and PHY with PLL. . . . .  | 175 |

# 1 Introduction

This datasheet provides the description of the STM32F405xx and STM32F407xx lines of microcontrollers. For more details on the whole STMicroelectronics STM32™ family, please refer to [Section 2.1: Full compatibility throughout the family](#).

The STM32F405xx and STM32F407xx datasheet should be read in conjunction with the STM32F4xx reference manual.

The reference and Flash programming manuals are both available from the STMicroelectronics website [www.st.com](http://www.st.com).

For information on the Cortex™-M4 core, please refer to the Cortex™-M4 programming manual (PM0214) available from [www.st.com](http://www.st.com).

## 2 Description

The STM32F405xx and STM32F407xx family is based on the high-performance ARM<sup>®</sup> Cortex™-M4 32-bit RISC core operating at a frequency of up to 168 MHz. The Cortex-M4 core features a Floating point unit (FPU) single precision which supports all ARM single-precision data-processing instructions and data types. It also implements a full set of DSP instructions and a memory protection unit (MPU) which enhances application security. The Cortex-M4 core with FPU will be referred to as Cortex-M4F throughout this document.

The STM32F405xx and STM32F407xx family incorporates high-speed embedded memories (Flash memory up to 1 Mbyte, up to 192 Kbytes of SRAM), up to 4 Kbytes of backup SRAM, and an extensive range of enhanced I/Os and peripherals connected to two APB buses, three AHB buses and a 32-bit multi-AHB bus matrix.

All devices offer three 12-bit ADCs, two DACs, a low-power RTC, twelve general-purpose 16-bit timers including two PWM timers for motor control, two general-purpose 32-bit timers, a true random number generator (RNG). They also feature standard and advanced communication interfaces.

- Up to three I<sup>2</sup>Cs
- Three SPIs, two I<sup>2</sup>Ss full duplex. To achieve audio class accuracy, the I2S peripherals can be clocked via a dedicated internal audio PLL or via an external clock to allow synchronization.
- Four USARTs plus two UARTs
- An USB OTG full-speed and a USB OTG high-speed with full-speed capability (with the ULPI),
- Two CANs
- An SDIO/MMC interface
- Ethernet and the camera interface available on STM32F407xx devices only.

New advanced peripherals include an SDIO, an enhanced flexible static memory control (FSMC) interface (for devices offered in packages of 100 pins and more), a camera interface for CMOS sensors. Refer to [Table 2: STM32F405xx and STM32F407xx: features and peripheral counts](#) for the list of peripherals available on each part number.

The STM32F405xx and STM32F407xx family operates in the –40 to +105 °C temperature range from a 1.8 to 3.6 V power supply. The supply voltage can drop to 1.7 V when the device operates in the 0 to 70 °C temperature range using an external power supply supervisor: refer to [Section : Internal reset OFF](#). A comprehensive set of power-saving mode allows the design of low-power applications.

The STM32F405xx and STM32F407xx family offers devices in various packages ranging from 64 pins to 176 pins. The set of included peripherals changes with the device chosen.

These features make the STM32F405xx and STM32F407xx microcontroller family suitable for a wide range of applications:

- Motor drive and application control
- Medical equipment
- Industrial applications: PLC, inverters, circuit breakers
- Printers, and scanners
- Alarm systems, video intercom, and HVAC
- Home audio appliances



Figure 5 shows the general block diagram of the device family.

**Table 2. STM32F405xx and STM32F407xx: features and peripheral counts**

| Peripherals             |                  | STM32F405RG    | STM32F405OG        | STM32F405VG | STM32F405ZG | STM32F405OE | STM32F407Vx | STM32F407Zx | STM32F407Ix |      |     |      |
|-------------------------|------------------|----------------|--------------------|-------------|-------------|-------------|-------------|-------------|-------------|------|-----|------|
| Flash memory in Kbytes  |                  | 1024           |                    |             |             | 512         | 512         | 1024        | 512         | 1024 | 512 | 1024 |
| SRAM in Kbytes          | System           | 192(112+16+64) |                    |             |             |             |             |             |             |      |     |      |
|                         | Backup           | 4              |                    |             |             |             |             |             |             |      |     |      |
| FSMC memory controller  |                  | No             | Yes <sup>(1)</sup> |             |             |             |             |             |             |      |     |      |
| Ethernet                |                  | No             |                    |             |             |             | Yes         |             |             |      |     |      |
| Timers                  | General-purpose  | 10             |                    |             |             |             |             |             |             |      |     |      |
|                         | Advanced-control | 2              |                    |             |             |             |             |             |             |      |     |      |
|                         | Basic            | 2              |                    |             |             |             |             |             |             |      |     |      |
|                         | IWDG             | Yes            |                    |             |             |             |             |             |             |      |     |      |
|                         | WWDG             | Yes            |                    |             |             |             |             |             |             |      |     |      |
|                         | RTC              | Yes            |                    |             |             |             |             |             |             |      |     |      |
| Random number generator |                  | Yes            |                    |             |             |             |             |             |             |      |     |      |



Table 2. STM32F405xx and STM32F407xx: features and peripheral counts

| Peripherals              |  | STM32F405RG                      | STM32F405OG | STM32F405VG | STM32F405ZG | STM32F405OE | STM32F407Vx | STM32F407Zx         | STM32F407Ix |
|--------------------------|--|----------------------------------|-------------|-------------|-------------|-------------|-------------|---------------------|-------------|
| Communication interfaces | SPI / I2S  | 3/2 (full duplex) <sup>(2)</sup> |             |             |             |             |             |                     |             |
|                          | I <sup>2</sup> C                                     | 3                                |             |             |             |             |             |                     |             |
|                          | USART/ UART  | 4/2                              |             |             |             |             |             |                     |             |
|                          | USB OTG FS   | Yes                              |             |             |             |             |             |                     |             |
|                          | USB OTG HS   | Yes                              |             |             |             |             |             |                     |             |
|                          | CAN  | 2                                |             |             |             |             |             |                     |             |
|                          | SDIO   | Yes                              |             |             |             |             |             |                     |             |
| Camera interface         | No   |                                  |             |             |             | Yes         |             |                     |             |
| GPIOs                    | 51   | 72                               | 82          | 114         | 72          | 82          | 114         | 140                 |             |
| 12-bit ADC               | 3  |                                  |             |             |             |             |             |                     |             |
| Number of channels       | 16   | 13                               | 16          | 24          | 13          | 16          | 24          | 24                  |             |
| 12-bit DAC               | Yes  |                                  |             |             |             |             |             |                     |             |
| Number of channels       | 2  |                                  |             |             |             |             |             |                     |             |
| Maximum CPU frequency    | 168 MHz  |                                  |             |             |             |             |             |                     |             |
| Operating voltage        | 1.8 to 3.6 V <sup>(3)</sup>                          |                                  |             |             |             |             |             |                     |             |
| Operating temperatures   | Ambient temperatures: -40 to +85 °C / -40 to +105 °C |                                  |             |             |             |             |             |                     |             |
|                          | Junction temperature: -40 to + 125 °C                |                                  |             |             |             |             |             |                     |             |
| Package                  | LQFP64   | WLCSP90                          | LQFP100     | LQFP144     | WLCSP90     | LQFP100     | LQFP144     | UFBGA176<br>LQFP176 |             |

1. For the LQFP100 and WLCSP90 packages, only FSMC Bank1 or Bank2 are available. Bank1 can only support a multiplexed NOR/PSRAM memory using the NE1 Chip Select. Bank2 can only support a 16- or 8-bit NAND Flash memory using the NCE2 Chip Select. The interrupt line cannot be used since Port G is not available in this package.
2. The SPI2 and SPI3 interfaces give the flexibility to work in an exclusive way in either the SPI mode or the I<sup>2</sup>S audio mode.
3. V<sub>DD</sub>/V<sub>DDA</sub> minimum value of 1.7 V is obtained when the device operates in reduced temperature range, and with the use of an external power supply supervisor (refer to [Section : Internal reset OFF](#)).

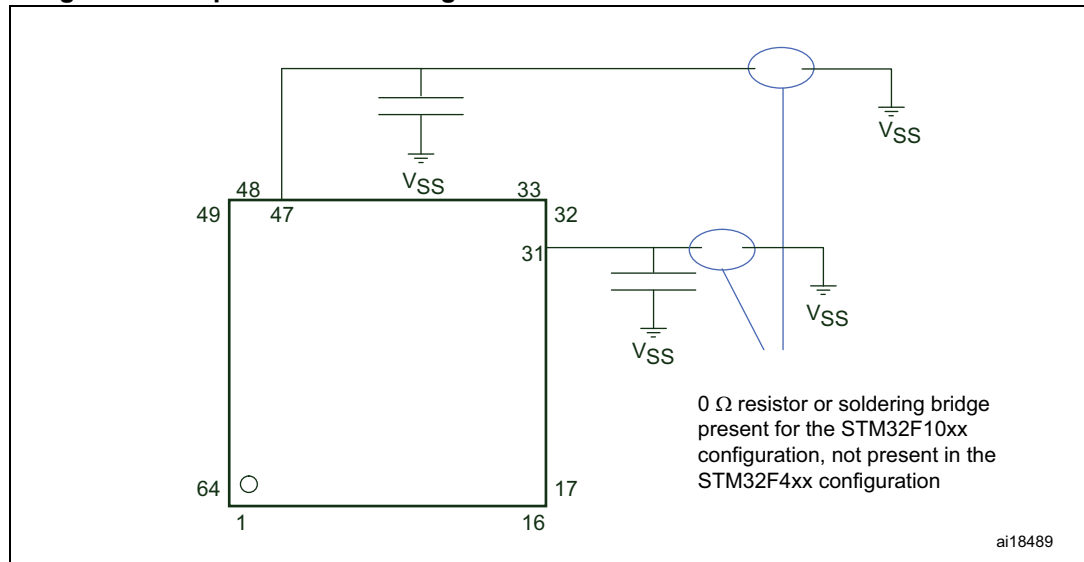
## 2.1 Full compatibility throughout the family

The STM32F405xx and STM32F407xx are part of the STM32F4 family. They are fully pin-to-pin, software and feature compatible with the STM32F2xx devices, allowing the user to try different memory densities, peripherals, and performances (FPU, higher frequency) for a greater degree of freedom during the development cycle.

The STM32F405xx and STM32F407xx devices maintain a close compatibility with the whole STM32F10xxx family. All functional pins are pin-to-pin compatible. The STM32F405xx and STM32F407xx, however, are not drop-in replacements for the STM32F10xxx devices: the two families do not have the same power scheme, and so their power pins are different. Nonetheless, transition from the STM32F10xxx to the STM32F40x family remains simple as only a few pins are impacted.

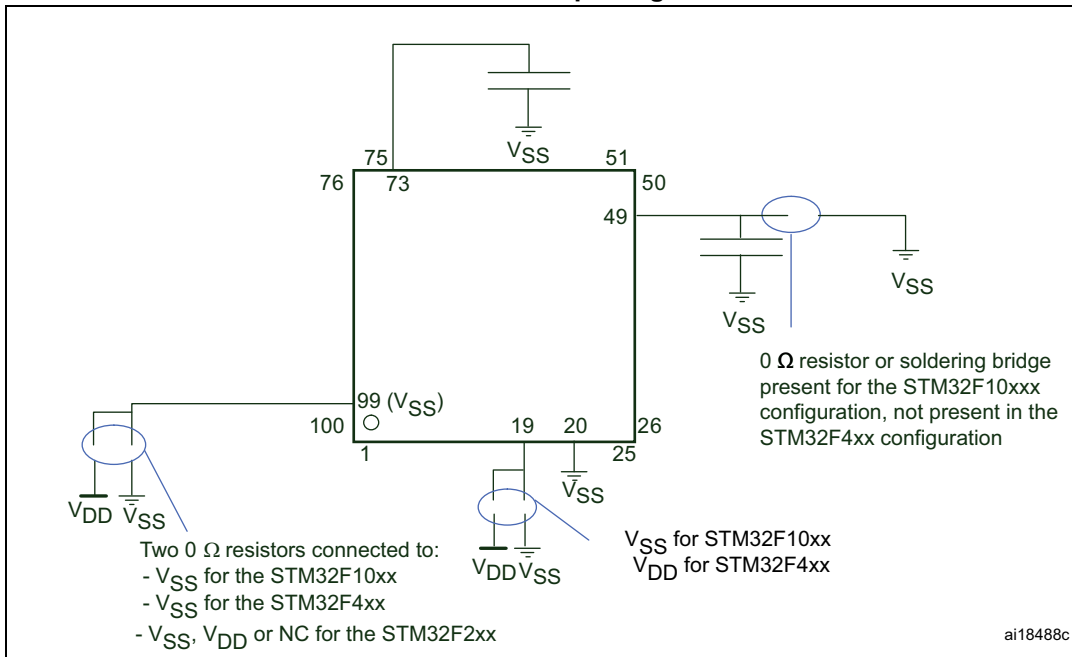
Figure 4, Figure 3, Figure 2, and Figure 1 give compatible board designs between the STM32F40x, STM32F2xxx, and STM32F10xxx families.

Figure 1. Compatible board design between STM32F10xx/STM32F4xx for LQFP64

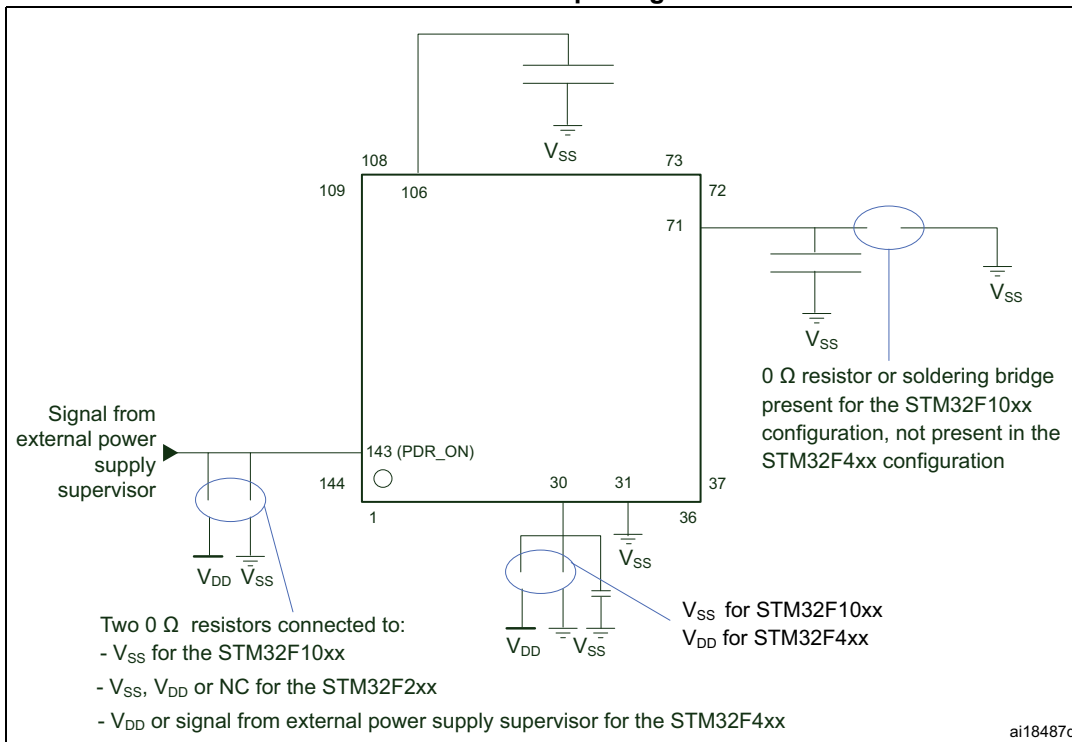




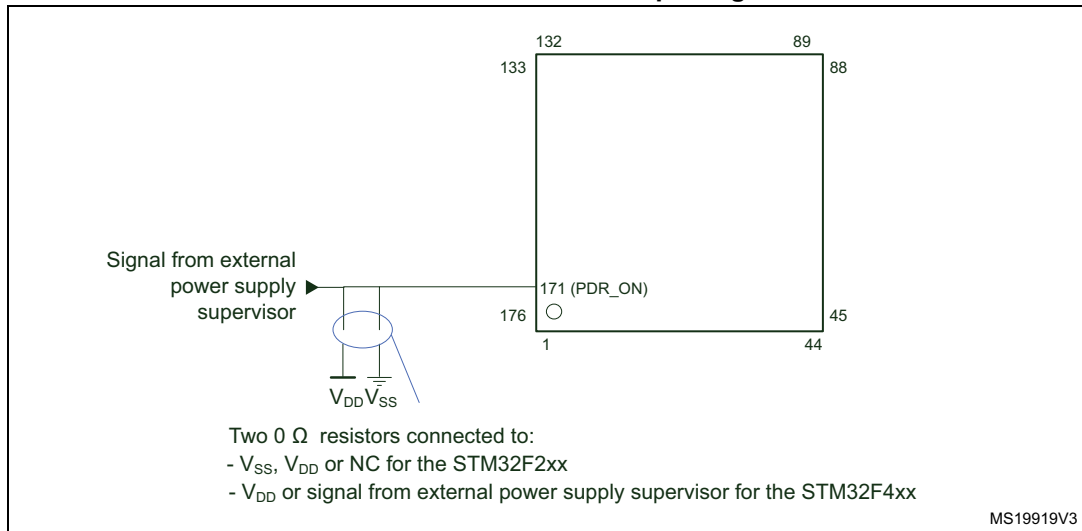
**Figure 2. Compatible board design STM32F10xx/STM32F2xx/STM32F4xx for LQFP100 package**



**Figure 3. Compatible board design between STM32F10xx/STM32F2xx/STM32F4xx for LQFP144 package**

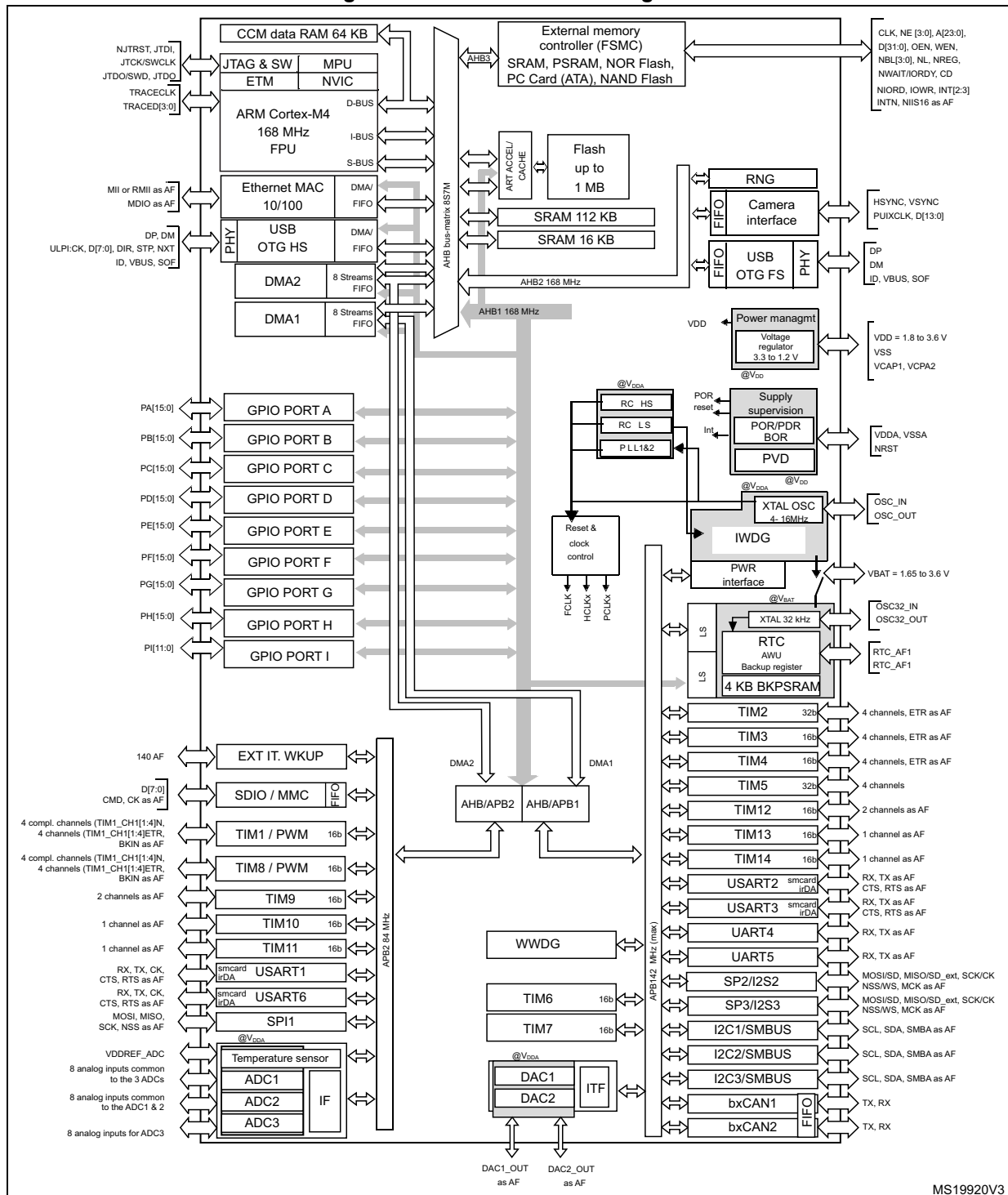


**Figure 4. Compatible board design between STM32F2xx and STM32F4xx for LQFP176 and BGA176 packages**



## 2.2 Device overview

Figure 5. STM32F40x block diagram



1. The timers connected to APB2 are clocked from TIMxCLK up to 168 MHz, while the timers connected to APB1 are clocked from TIMxCLK either up to 84 MHz or 168 MHz, depending on TIMPRE bit configuration in the RCC\_DCKCFGR register.
2. The camera interface and ethernet are available only on STM32F407xx devices.



### 2.2.1 ARM® Cortex™-M4F core with embedded Flash and SRAM

The ARM Cortex-M4F processor is the latest generation of ARM processors for embedded systems. It was developed to provide a low-cost platform that meets the needs of MCU implementation, with a reduced pin count and low-power consumption, while delivering outstanding computational performance and an advanced response to interrupts.

The ARM Cortex-M4F 32-bit RISC processor features exceptional code-efficiency, delivering the high-performance expected from an ARM core in the memory size usually associated with 8- and 16-bit devices.

The processor supports a set of DSP instructions which allow efficient signal processing and complex algorithm execution.

Its single precision FPU (floating point unit) speeds up software development by using metalanguage development tools, while avoiding saturation.

The STM32F405xx and STM32F407xx family is compatible with all ARM tools and software.

[Figure 5](#) shows the general block diagram of the STM32F40x family.

*Note:* Cortex-M4F is binary compatible with Cortex-M3.

### 2.2.2 Adaptive real-time memory accelerator (ART Accelerator™)

The ART Accelerator™ is a memory accelerator which is optimized for STM32 industry-standard ARM® Cortex™-M4F processors. It balances the inherent performance advantage of the ARM Cortex-M4F over Flash memory technologies, which normally requires the processor to wait for the Flash memory at higher frequencies.

To release the processor full 210 DMIPS performance at this frequency, the accelerator implements an instruction prefetch queue and branch cache, which increases program execution speed from the 128-bit Flash memory. Based on CoreMark benchmark, the performance achieved thanks to the ART accelerator is equivalent to 0 wait state program execution from Flash memory at a CPU frequency up to 168 MHz.

### 2.2.3 Memory protection unit

The memory protection unit (MPU) is used to manage the CPU accesses to memory to prevent one task to accidentally corrupt the memory or resources used by any other active task. This memory area is organized into up to 8 protected areas that can in turn be divided up into 8 subareas. The protection area sizes are between 32 bytes and the whole 4 gigabytes of addressable memory.

The MPU is especially helpful for applications where some critical or certified code has to be protected against the misbehavior of other tasks. It is usually managed by an RTOS (real-time operating system). If a program accesses a memory location that is prohibited by the MPU, the RTOS can detect it and take action. In an RTOS environment, the kernel can dynamically update the MPU area setting, based on the process to be executed.

The MPU is optional and can be bypassed for applications that do not need it.

### 2.2.4 Embedded Flash memory

The STM32F40x devices embed a Flash memory of 512 Kbytes or 1 Mbytes available for storing programs and data.

### 2.2.5 CRC (cyclic redundancy check) calculation unit

The CRC (cyclic redundancy check) calculation unit is used to get a CRC code from a 32-bit data word and a fixed generator polynomial.

Among other applications, CRC-based techniques are used to verify data transmission or storage integrity. In the scope of the EN/IEC 60335-1 standard, they offer a means of verifying the Flash memory integrity. The CRC calculation unit helps compute a software signature during runtime, to be compared with a reference signature generated at link-time and stored at a given memory location.

### 2.2.6 Embedded SRAM

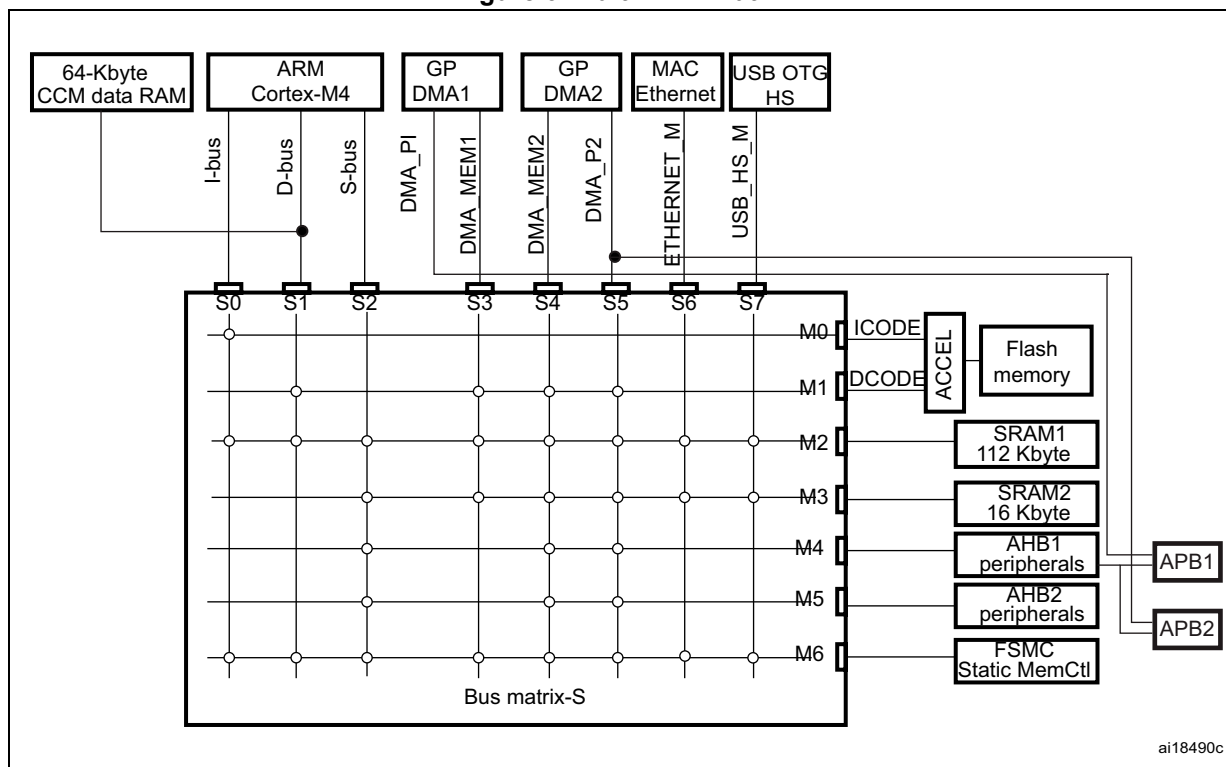
All STM32F40x products embed:

- Up to 192 Kbytes of system SRAM including 64 Kbytes of CCM (core coupled memory) data RAM  
RAM memory is accessed (read/write) at CPU clock speed with 0 wait states.
- 4 Kbytes of backup SRAM  
This area is accessible only from the CPU. Its content is protected against possible unwanted write accesses, and is retained in Standby or VBAT mode.

### 2.2.7 Multi-AHB bus matrix

The 32-bit multi-AHB bus matrix interconnects all the masters (CPU, DMAs, Ethernet, USB HS) and the slaves (Flash memory, RAM, FSMC, AHB and APB peripherals) and ensures a seamless and efficient operation even when several high-speed peripherals work simultaneously.

Figure 6. Multi-AHB matrix



### 2.2.8 DMA controller (DMA)

The devices feature two general-purpose dual-port DMAs (DMA1 and DMA2) with 8 streams each. They are able to manage memory-to-memory, peripheral-to-memory and memory-to-peripheral transfers. They feature dedicated FIFOs for APB/AHB peripherals, support burst transfer and are designed to provide the maximum peripheral bandwidth (AHB/APB).

The two DMA controllers support circular buffer management, so that no specific code is needed when the controller reaches the end of the buffer. The two DMA controllers also have a double buffering feature, which automates the use and switching of two memory buffers without requiring any special code.

Each stream is connected to dedicated hardware DMA requests, with support for software trigger on each stream. Configuration is made by software and transfer sizes between source and destination are independent.

The DMA can be used with the main peripherals:

- SPI and I<sup>2</sup>S
- I<sup>2</sup>C
- USART
- General-purpose, basic and advanced-control timers TIMx
- DAC
- SDIO
- Camera interface (DCMI)
- ADC.

### 2.2.9 Flexible static memory controller (FSMC)

The FSMC is embedded in the STM32F405xx and STM32F407xx family. It has four Chip Select outputs supporting the following modes: PCCard/Compact Flash, SRAM, PSRAM, NOR Flash and NAND Flash.

Functionality overview:

- Write FIFO
- Maximum FSMC\_CLK frequency for synchronous accesses is 60 MHz.

#### LCD parallel interface

The FSMC can be configured to interface seamlessly with most graphic LCD controllers. It supports the Intel 8080 and Motorola 6800 modes, and is flexible enough to adapt to specific LCD interfaces. This LCD parallel interface capability makes it easy to build cost-effective graphic applications using LCD modules with embedded controllers or high performance solutions using external controllers with dedicated acceleration.

### 2.2.10 Nested vectored interrupt controller (NVIC)

The STM32F405xx and STM32F407xx embed a nested vectored interrupt controller able to manage 16 priority levels, and handle up to 82 maskable interrupt channels plus the 16 interrupt lines of the Cortex™-M4F.

- Closely coupled NVIC gives low-latency interrupt processing
- Interrupt entry vector table address passed directly to the core
- Allows early processing of interrupts
- Processing of late arriving, higher-priority interrupts
- Support tail chaining
- Processor state automatically saved
- Interrupt entry restored on interrupt exit with no instruction overhead

This hardware block provides flexible interrupt management features with minimum interrupt latency.

### 2.2.11 External interrupt/event controller (EXTI)

The external interrupt/event controller consists of 23 edge-detector lines used to generate interrupt/event requests. Each line can be independently configured to select the trigger event (rising edge, falling edge, both) and can be masked independently. A pending register maintains the status of the interrupt requests. The EXTI can detect an external line with a pulse width shorter than the Internal APB2 clock period. Up to 140 GPIOs can be connected to the 16 external interrupt lines.

### 2.2.12 Clocks and startup

On reset the 16 MHz internal RC oscillator is selected as the default CPU clock. The 16 MHz internal RC oscillator is factory-trimmed to offer 1% accuracy over the full temperature range. The application can then select as system clock either the RC oscillator or an external 4-26 MHz clock source. This clock can be monitored for failure. If a failure is detected, the system automatically switches back to the internal RC oscillator and a software interrupt is generated (if enabled). This clock source is input to a PLL thus allowing to increase the frequency up to 168 MHz. Similarly, full interrupt management of the PLL

clock entry is available when necessary (for example if an indirectly used external oscillator fails).

Several prescalers allow the configuration of the three AHB buses, the high-speed APB (APB2) and the low-speed APB (APB1) domains. The maximum frequency of the three AHB buses is 168 MHz while the maximum frequency of the high-speed APB domains is 84 MHz. The maximum allowed frequency of the low-speed APB domain is 42 MHz.

The devices embed a dedicated PLL (PLL12S) which allows to achieve audio class performance. In this case, the I<sup>2</sup>S master clock can generate all standard sampling frequencies from 8 kHz to 192 kHz.

### 2.2.13 Boot modes

At startup, boot pins are used to select one out of three boot options:

- Boot from user Flash
- Boot from system memory
- Boot from embedded SRAM

The boot loader is located in system memory. It is used to reprogram the Flash memory by using USART1 (PA9/PA10), USART3 (PC10/PC11 or PB10/PB11), CAN2 (PB5/PB13), USB OTG FS in Device mode (PA11/PA12) through DFU (device firmware upgrade).

### 2.2.14 Power supply schemes

- $V_{DD} = 1.8$  to  $3.6$  V: external power supply for I/Os and the internal regulator (when enabled), provided externally through  $V_{DD}$  pins.
- $V_{SSA}$ ,  $V_{DDA} = 1.8$  to  $3.6$  V: external analog power supplies for ADC, DAC, Reset blocks, RCs and PLL.  $V_{DDA}$  and  $V_{SSA}$  must be connected to  $V_{DD}$  and  $V_{SS}$ , respectively.
- $V_{BAT} = 1.65$  to  $3.6$  V: power supply for RTC, external clock 32 kHz oscillator and backup registers (through power switch) when  $V_{DD}$  is not present.

Refer to [Figure 21: Power supply scheme](#) for more details.

*Note:*  $V_{DD}/V_{DDA}$  minimum value of 1.7 V is obtained when the device operates in reduced temperature range, and with the use of an external power supply supervisor (refer to [Section : Internal reset OFF](#)).

Refer to [Table 2](#) in order to identify the packages supporting this option.

### 2.2.15 Power supply supervisor

#### Internal reset ON

On packages embedding the PDR\_ON pin, the power supply supervisor is enabled by holding PDR\_ON high. On all other packages, the power supply supervisor is always enabled.

The device has an integrated power-on reset (POR) / power-down reset (PDR) circuitry coupled with a Brownout reset (BOR) circuitry. At power-on, POR/PDR is always active and ensures proper operation starting from 1.8 V. After the 1.8 V POR threshold level is reached, the option byte loading process starts, either to confirm or modify default BOR threshold levels, or to disable BOR permanently. Three BOR thresholds are available through option bytes. The device remains in reset mode when  $V_{DD}$  is below a specified threshold,  $V_{POR/PDR}$  or  $V_{BOR}$ , without the need for an external reset circuit.



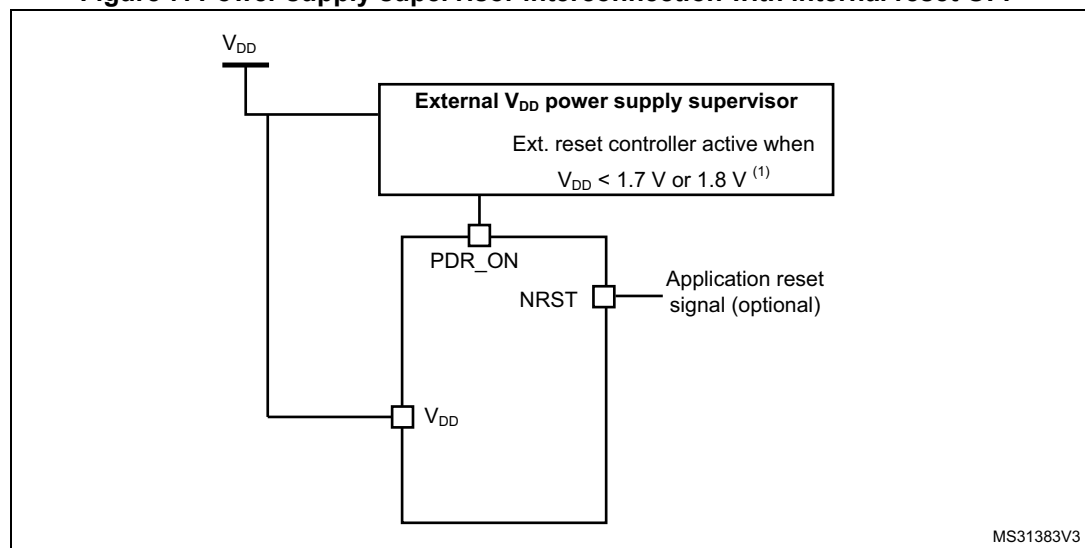
The device also features an embedded programmable voltage detector (PVD) that monitors the  $V_{DD}/V_{DDA}$  power supply and compares it to the  $V_{PVD}$  threshold. An interrupt can be generated when  $V_{DD}/V_{DDA}$  drops below the  $V_{PVD}$  threshold and/or when  $V_{DD}/V_{DDA}$  is higher than the  $V_{PVD}$  threshold. The interrupt service routine can then generate a warning message and/or put the MCU into a safe state. The PVD is enabled by software.

### Internal reset OFF

This feature is available only on packages featuring the PDR\_ON pin. The internal power-on reset (POR) / power-down reset (PDR) circuitry is disabled with the PDR\_ON pin.

An external power supply supervisor should monitor  $V_{DD}$  and should maintain the device in reset mode as long as  $V_{DD}$  is below a specified threshold. PDR\_ON should be connected to this external power supply supervisor. Refer to [Figure 7: Power supply supervisor interconnection with internal reset OFF](#).

**Figure 7. Power supply supervisor interconnection with internal reset OFF**



1. PDR = 1.7 V for reduce temperature range; PDR = 1.8 V for all temperature range.

The  $V_{DD}$  specified threshold, below which the device must be maintained under reset, is 1.8 V (see [Figure 7](#)). This supply voltage can drop to 1.7 V when the device operates in the 0 to 70 °C temperature range.

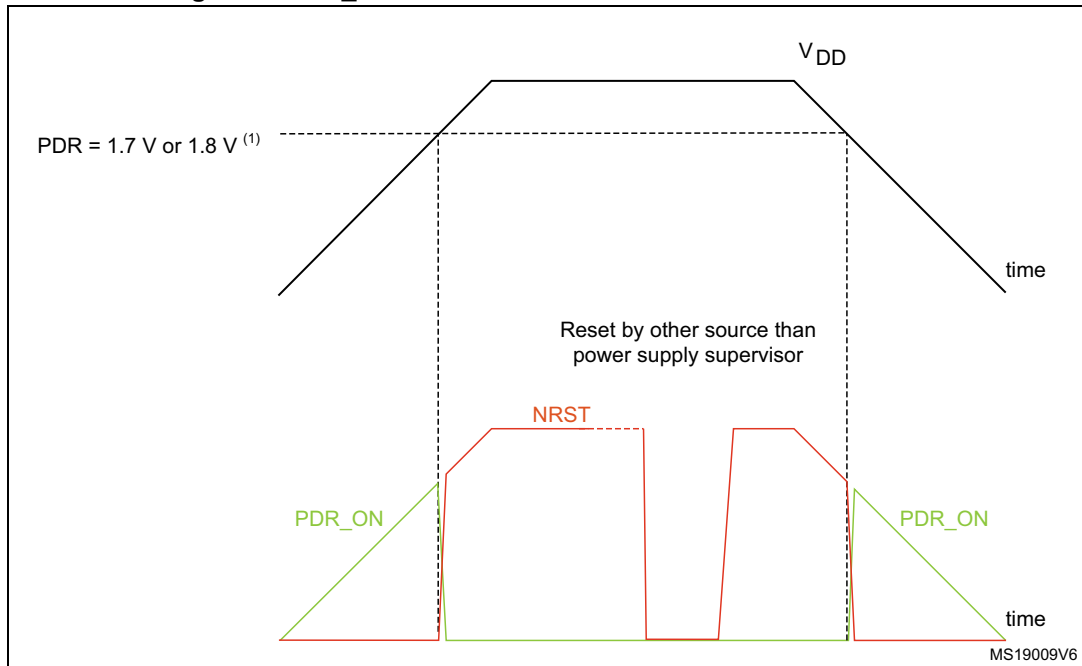
A comprehensive set of power-saving mode allows to design low-power applications.

When the internal reset is OFF, the following integrated features are no more supported:

- The integrated power-on reset (POR) / power-down reset (PDR) circuitry is disabled
- The brownout reset (BOR) circuitry is disabled
- The embedded programmable voltage detector (PVD) is disabled
- $V_{BAT}$  functionality is no more available and  $V_{BAT}$  pin should be connected to  $V_{DD}$

All packages, except for the LQFP64 and LQFP100, allow to disable the internal reset through the PDR\_ON signal.

Figure 8. PDR\_ON and NRST control with internal reset OFF



1. PDR = 1.7 V for reduce temperature range; PDR = 1.8 V for all temperature range.

## 2.2.16 Voltage regulator

The regulator has four operating modes:

- Regulator ON
  - Main regulator mode (MR)
  - Low power regulator (LPR)
  - Power-down
- Regulator OFF

### Regulator ON

On packages embedding the BYPASS\_REG pin, the regulator is enabled by holding BYPASS\_REG low. On all other packages, the regulator is always enabled.

There are three power modes configured by software when regulator is ON:

- MR is used in the nominal regulation mode (With different voltage scaling in Run)
 

In Main regulator mode (MR mode), different voltage scaling are provided to reach the best compromise between maximum frequency and dynamic power consumption. Refer to [Table 14: General operating conditions](#).
- LPR is used in the Stop modes
 

The LP regulator mode is configured by software when entering Stop mode.
- Power-down is used in Standby mode.
 

The Power-down mode is activated only when entering in Standby mode. The regulator output is in high impedance and the kernel circuitry is powered down, inducing zero consumption. The contents of the registers and SRAM are lost)

Two external ceramic capacitors should be connected on  $V_{CAP\_1}$  &  $V_{CAP\_2}$  pin. Refer to [Figure 21: Power supply scheme](#) and [Figure 16: VCAP\\_1/VCAP\\_2 operating conditions](#).

All packages have regulator ON feature.

### Regulator OFF

This feature is available only on packages featuring the BYPASS\_REG pin. The regulator is disabled by holding BYPASS\_REG high. The regulator OFF mode allows to supply externally a  $V_{12}$  voltage source through  $V_{CAP\_1}$  and  $V_{CAP\_2}$  pins.

Since the internal voltage scaling is not managed internally, the external voltage value must be aligned with the targetted maximum frequency. Refer to [Table 14: General operating conditions](#).

The two 2.2  $\mu\text{F}$  ceramic capacitors should be replaced by two 100 nF decoupling capacitors.

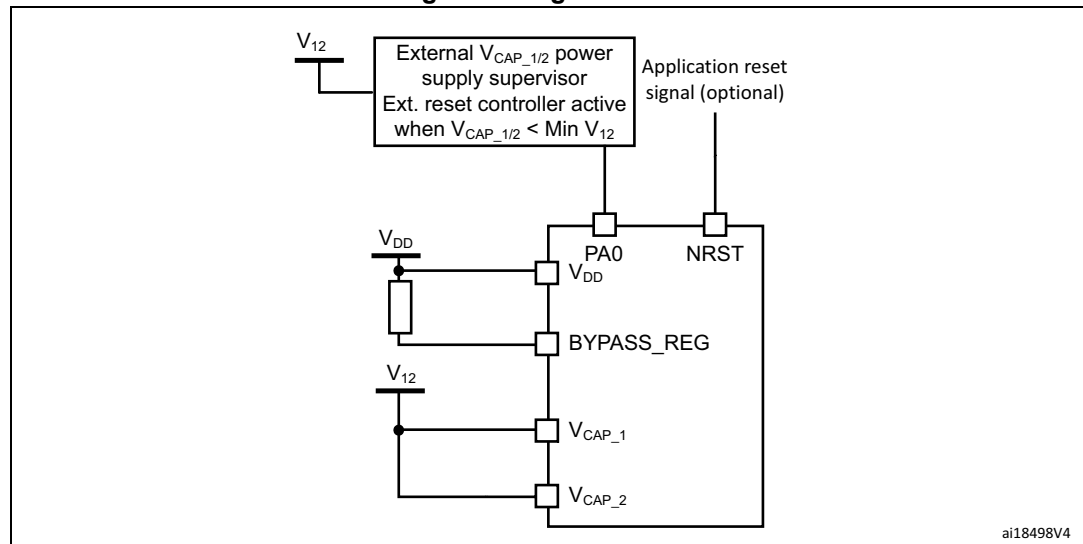
Refer to [Figure 21: Power supply scheme](#)

When the regulator is OFF, there is no more internal monitoring on  $V_{12}$ . An external power supply supervisor should be used to monitor the  $V_{12}$  of the logic power domain. PA0 pin should be used for this purpose, and act as power-on reset on  $V_{12}$  power domain.

In regulator OFF mode the following features are no more supported:

- PA0 cannot be used as a GPIO pin since it allows to reset a part of the  $V_{12}$  logic power domain which is not reset by the NRST pin.
- As long as PA0 is kept low, the debug mode cannot be used under power-on reset. As a consequence, PA0 and NRST pins must be managed separately if the debug connection under reset or pre-reset is required.

**Figure 9. Regulator OFF**



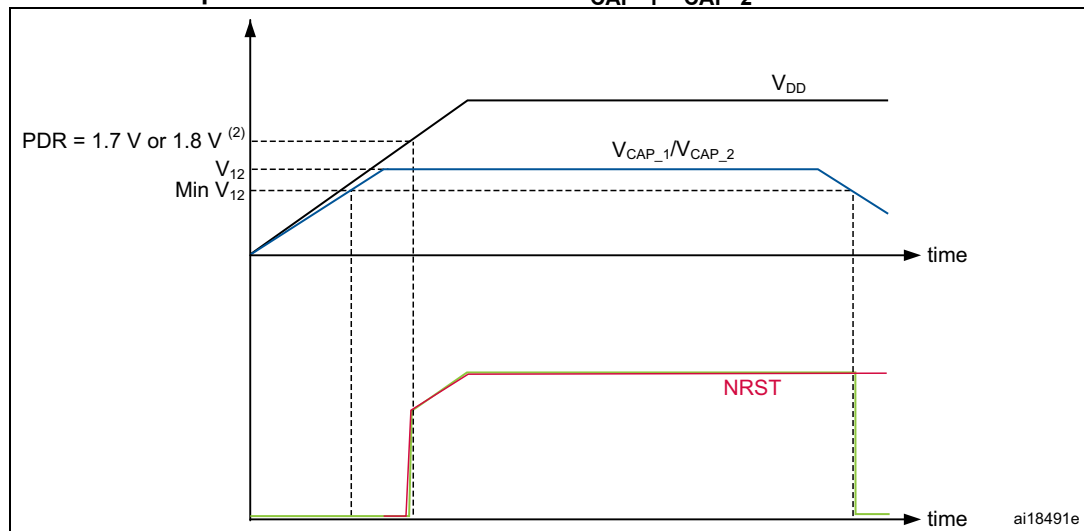
ai18498V4

The following conditions must be respected:

- $V_{DD}$  should always be higher than  $V_{CAP\_1}$  and  $V_{CAP\_2}$  to avoid current injection between power domains.
- If the time for  $V_{CAP\_1}$  and  $V_{CAP\_2}$  to reach  $V_{12}$  minimum value is faster than the time for  $V_{DD}$  to reach 1.8 V, then PA0 should be kept low to cover both conditions: until  $V_{CAP\_1}$  and  $V_{CAP\_2}$  reach  $V_{12}$  minimum value and until  $V_{DD}$  reaches 1.8 V (see [Figure 10](#)).
- Otherwise, if the time for  $V_{CAP\_1}$  and  $V_{CAP\_2}$  to reach  $V_{12}$  minimum value is slower than the time for  $V_{DD}$  to reach 1.8 V, then PA0 could be asserted low externally (see [Figure 11](#)).
- If  $V_{CAP\_1}$  and  $V_{CAP\_2}$  go below  $V_{12}$  minimum value and  $V_{DD}$  is higher than 1.8 V, then a reset must be asserted on PA0 pin.

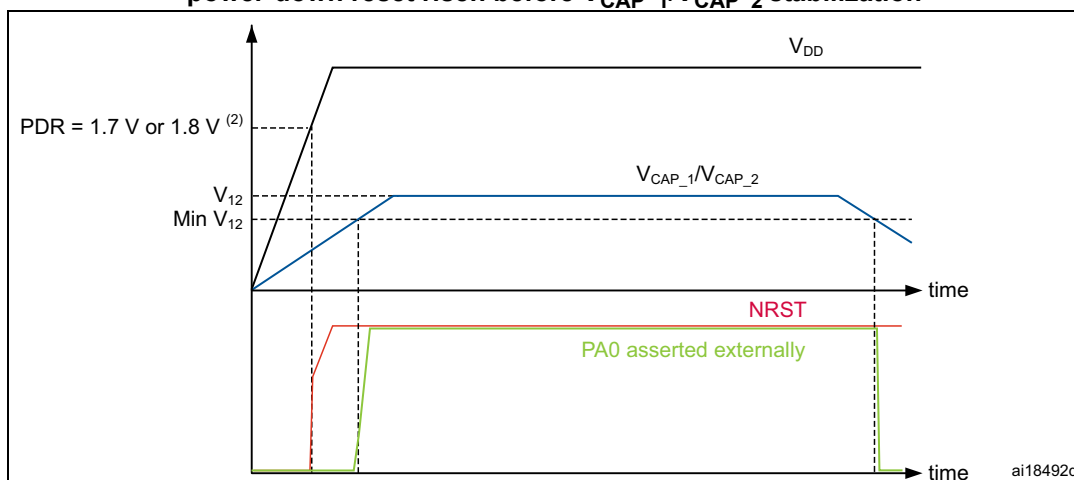
Note: The minimum value of  $V_{12}$  depends on the maximum frequency targeted in the application (see [Table 14: General operating conditions](#)).

**Figure 10. Startup in regulator OFF mode: slow  $V_{DD}$  slope - power-down reset risen after  $V_{CAP\_1}/V_{CAP\_2}$  stabilization**



1. This figure is valid both whatever the internal reset mode (onON or OFFoff).
2. PDR = 1.7 V for reduced temperature range; PDR = 1.8 V for all temperature ranges.

**Figure 11. Startup in regulator OFF mode: fast  $V_{DD}$  slope - power-down reset risen before  $V_{CAP\_1}/V_{CAP\_2}$  stabilization**



1. This figure is valid both whatever the internal reset mode (onON or offOFF).
2. PDR = 1.7 V for a reduced temperature range; PDR = 1.8 V for all temperature ranges.

### 2.2.17 Regulator ON/OFF and internal reset ON/OFF availability

**Table 3. Regulator ON/OFF and internal reset ON/OFF availability**

|                     | Regulator ON                      | Regulator OFF                     | Internal reset ON             | Internal reset OFF   |
|---------------------|-----------------------------------|-----------------------------------|-------------------------------|--|
| LQFP64<br>LQFP100   | Yes                               | No                                | Yes                           | No   |
| LQFP144<br>LQFP176  |                                   |                                   | Yes<br>PDR_ON set to $V_{DD}$ | Yes<br>PDR_ON connected to an external power supply supervisor |
| WLCSP90<br>UFBGA176 | Yes<br>BYPASS_REG set to $V_{SS}$ | Yes<br>BYPASS_REG set to $V_{DD}$ |                               |  |

### 2.2.18 Real-time clock (RTC), backup SRAM and backup registers

The backup domain of the STM32F405xx and STM32F407xx includes:

- The real-time clock (RTC)
- 4 Kbytes of backup SRAM
- 20 backup registers

The real-time clock (RTC) is an independent BCD timer/counter. Dedicated registers contain the second, minute, hour (in 12/24 hour), week day, date, month, year, in BCD (binary-coded decimal) format. Correction for 28, 29 (leap year), 30, and 31 day of the month are performed automatically. The RTC provides a programmable alarm and programmable periodic interrupts with wakeup from Stop and Standby modes. The sub-seconds value is also available in binary format.

It is clocked by a 32.768 kHz external crystal, resonator or oscillator, the internal low-power RC oscillator or the high-speed external clock divided by 128. The internal low-speed RC

has a typical frequency of 32 kHz. The RTC can be calibrated using an external 512 Hz output to compensate for any natural quartz deviation.

Two alarm registers are used to generate an alarm at a specific time and calendar fields can be independently masked for alarm comparison. To generate a periodic interrupt, a 16-bit programmable binary auto-reload downcounter with programmable resolution is available and allows automatic wakeup and periodic alarms from every 120  $\mu$ s to every 36 hours.

A 20-bit prescaler is used for the time base clock. It is by default configured to generate a time base of 1 second from a clock at 32.768 kHz.

The 4-Kbyte backup SRAM is an EEPROM-like memory area. It can be used to store data which need to be retained in  $V_{BAT}$  and standby mode. This memory area is disabled by default to minimize power consumption (see [Section 2.2.19: Low-power modes](#)). It can be enabled by software.

The backup registers are 32-bit registers used to store 80 bytes of user application data when  $V_{DD}$  power is not present. Backup registers are not reset by a system, a power reset, or when the device wakes up from the Standby mode (see [Section 2.2.19: Low-power modes](#)).

Additional 32-bit registers contain the programmable alarm subseconds, seconds, minutes, hours, day, and date.

Like backup SRAM, the RTC and backup registers are supplied through a switch that is powered either from the  $V_{DD}$  supply when present or from the  $V_{BAT}$  pin.

## 2.2.19 Low-power modes

The STM32F405xx and STM32F407xx support three low-power modes to achieve the best compromise between low power consumption, short startup time and available wakeup sources:

- **Sleep mode**

In Sleep mode, only the CPU is stopped. All peripherals continue to operate and can wake up the CPU when an interrupt/event occurs.

- **Stop mode**

The Stop mode achieves the lowest power consumption while retaining the contents of SRAM and registers. All clocks in the  $V_{12}$  domain are stopped, the PLL, the HSI RC and the HSE crystal oscillators are disabled. The voltage regulator can also be put either in normal or in low-power mode.

The device can be woken up from the Stop mode by any of the EXTI line (the EXTI line source can be one of the 16 external lines, the PVD output, the RTC alarm / wakeup / tamper / time stamp events, the USB OTG FS/HS wakeup or the Ethernet wakeup).

- **Standby mode**

The Standby mode is used to achieve the lowest power consumption. The internal voltage regulator is switched off so that the entire  $V_{12}$  domain is powered off. The PLL, the HSI RC and the HSE crystal oscillators are also switched off. After entering

Standby mode, the SRAM and register contents are lost except for registers in the backup domain and the backup SRAM when selected.

The device exits the Standby mode when an external reset (NRST pin), an IWDG reset, a rising edge on the WKUP pin, or an RTC alarm / wakeup / tamper /time stamp event occurs.

The standby mode is not supported when the embedded voltage regulator is bypassed and the  $V_{12}$  domain is controlled by an external power.

### 2.2.20 $V_{BAT}$ operation

The  $V_{BAT}$  pin allows to power the device  $V_{BAT}$  domain from an external battery, an external supercapacitor, or from  $V_{DD}$  when no external battery and an external supercapacitor are present.

$V_{BAT}$  operation is activated when  $V_{DD}$  is not present.

The  $V_{BAT}$  pin supplies the RTC, the backup registers and the backup SRAM.

*Note:* When the microcontroller is supplied from  $V_{BAT}$ , external interrupts and RTC alarm/events do not exit it from  $V_{BAT}$  operation.

When PDR\_ON pin is not connected to  $V_{DD}$  (internal reset OFF), the  $V_{BAT}$  functionality is no more available and  $V_{BAT}$  pin should be connected to  $V_{DD}$ .

### 2.2.21 Timers and watchdogs

The STM32F405xx and STM32F407xx devices include two advanced-control timers, eight general-purpose timers, two basic timers and two watchdog timers.

All timer counters can be frozen in debug mode.

[Table 4](#) compares the features of the advanced-control, general-purpose and basic timers.

**Table 4. Timer feature comparison**

| Timer type       | Timer      | Counter resolution | Counter type      | Prescaler factor                | DMA request generation | Capture/compare channels | Complementary output | Max interface clock (MHz) | Max timer clock (MHz) |
|------------------|------------|--------------------|-------------------|---------------------------------|------------------------|--------------------------|----------------------|---------------------------|-----------------------|
| Advanced-control | TIM1, TIM8 | 16-bit             | Up, Down, Up/down | Any integer between 1 and 65536 | Yes                    | 4                        | Yes                  | 84                        | 168                   |

Table 4. Timer feature comparison (continued)

| Timer type      | Timer        | Counter resolution | Counter type      | Prescaler factor                | DMA request generation | Capture/compare channels | Complementary output | Max interface clock (MHz) | Max timer clock (MHz) |
|-----------------|--------------|--------------------|-------------------|---------------------------------|------------------------|--------------------------|----------------------|---------------------------|-----------------------|
| General purpose | TIM2, TIM5   | 32-bit             | Up, Down, Up/down | Any integer between 1 and 65536 | Yes                    | 4                        | No                   | 42                        | 84                    |
|                 | TIM3, TIM4   | 16-bit             | Up, Down, Up/down | Any integer between 1 and 65536 | Yes                    | 4                        | No                   | 42                        | 84                    |
|                 | TIM9         | 16-bit             | Up                | Any integer between 1 and 65536 | No                     | 2                        | No                   | 84                        | 168                   |
|                 | TIM10, TIM11 | 16-bit             | Up                | Any integer between 1 and 65536 | No                     | 1                        | No                   | 84                        | 168                   |
|                 | TIM12        | 16-bit             | Up                | Any integer between 1 and 65536 | No                     | 2                        | No                   | 42                        | 84                    |
|                 | TIM13, TIM14 | 16-bit             | Up                | Any integer between 1 and 65536 | No                     | 1                        | No                   | 42                        | 84                    |
| Basic           | TIM6, TIM7   | 16-bit             | Up                | Any integer between 1 and 65536 | Yes                    | 0                        | No                   | 42                        | 84                    |

**Advanced-control timers (TIM1, TIM8)**

The advanced-control timers (TIM1, TIM8) can be seen as three-phase PWM generators multiplexed on 6 channels. They have complementary PWM outputs with programmable inserted dead times. They can also be considered as complete general-purpose timers. Their 4 independent channels can be used for:

- Input capture
- Output compare
- PWM generation (edge- or center-aligned modes)
- One-pulse mode output

If configured as standard 16-bit timers, they have the same features as the general-purpose TIMx timers. If configured as 16-bit PWM generators, they have full modulation capability (0-100%).

The advanced-control timer can work together with the TIMx timers via the Timer Link feature for synchronization or event chaining.

TIM1 and TIM8 support independent DMA request generation.



## General-purpose timers (TIMx)

There are ten synchronizable general-purpose timers embedded in the STM32F40x devices (see [Table 4](#) for differences).

- **TIM2, TIM3, TIM4, TIM5**

The STM32F40x include 4 full-featured general-purpose timers: TIM2, TIM5, TIM3, and TIM4. The TIM2 and TIM5 timers are based on a 32-bit auto-reload up/downcounter and a 16-bit prescaler. The TIM3 and TIM4 timers are based on a 16-bit auto-reload up/downcounter and a 16-bit prescaler. They all feature 4 independent channels for input capture/output compare, PWM or one-pulse mode output. This gives up to 16 input capture/output compare/PWMs on the largest packages.

The TIM2, TIM3, TIM4, TIM5 general-purpose timers can work together, or with the other general-purpose timers and the advanced-control timers TIM1 and TIM8 via the Timer Link feature for synchronization or event chaining.

Any of these general-purpose timers can be used to generate PWM outputs.

TIM2, TIM3, TIM4, TIM5 all have independent DMA request generation. They are capable of handling quadrature (incremental) encoder signals and the digital outputs from 1 to 4 hall-effect sensors.

- **TIM9, TIM10, TIM11, TIM12, TIM13, and TIM14**

These timers are based on a 16-bit auto-reload upcounter and a 16-bit prescaler. TIM10, TIM11, TIM13, and TIM14 feature one independent channel, whereas TIM9 and TIM12 have two independent channels for input capture/output compare, PWM or one-pulse mode output. They can be synchronized with the TIM2, TIM3, TIM4, TIM5 full-featured general-purpose timers. They can also be used as simple time bases.

## Basic timers TIM6 and TIM7

These timers are mainly used for DAC trigger and waveform generation. They can also be used as a generic 16-bit time base.

TIM6 and TIM7 support independent DMA request generation.

## Independent watchdog

The independent watchdog is based on a 12-bit downcounter and 8-bit prescaler. It is clocked from an independent 32 kHz internal RC and as it operates independently from the main clock, it can operate in Stop and Standby modes. It can be used either as a watchdog to reset the device when a problem occurs, or as a free-running timer for application timeout management. It is hardware- or software-configurable through the option bytes.

## Window watchdog

The window watchdog is based on a 7-bit downcounter that can be set as free-running. It can be used as a watchdog to reset the device when a problem occurs. It is clocked from the main clock. It has an early warning interrupt capability and the counter can be frozen in debug mode.

### **SysTick timer**

This timer is dedicated to real-time operating systems, but could also be used as a standard downcounter. It features:

- A 24-bit downcounter
- Autoreload capability
- Maskable system interrupt generation when the counter reaches 0
- Programmable clock source.

### **2.2.22 Inter-integrated circuit interface (I<sup>2</sup>C)**

Up to three I<sup>2</sup>C bus interfaces can operate in multimaster and slave modes. They can support the Standard-mode (up to 100 kHz) and Fast-mode (up to 400 kHz) . They support the 7/10-bit addressing mode and the 7-bit dual addressing mode (as slave). A hardware CRC generation/verification is embedded.

They can be served by DMA and they support SMBus 2.0/PMBus.

### **2.2.23 Universal synchronous/asynchronous receiver transmitters (USART)**

The STM32F405xx and STM32F407xx embed four universal synchronous/asynchronous receiver transmitters (USART1, USART2, USART3 and USART6) and two universal asynchronous receiver transmitters (UART4 and UART5).

These six interfaces provide asynchronous communication, IrDA SIR ENDEC support, multiprocessor communication mode, single-wire half-duplex communication mode and have LIN Master/Slave capability. The USART1 and USART6 interfaces are able to communicate at speeds of up to 10.5 Mbit/s. The other available interfaces communicate at up to 5.25 Mbit/s.

USART1, USART2, USART3 and USART6 also provide hardware management of the CTS and RTS signals, Smart Card mode (ISO 7816 compliant) and SPI-like communication capability. All interfaces can be served by the DMA controller.

Table 5. USART feature comparison

| USART name | Standard features | Modem (RTS/CTS) | LIN | SPI master | irDA | Smartcard (ISO 7816) | Max. baud rate in Mbit/s (oversampling by 16) | Max. baud rate in Mbit/s (oversampling by 8) | APB mapping        |
|------------|-------------------|-----------------|-----|------------|------|----------------------|---|--|--------------------|
| USART1     | X                 | X               | X   | X          | X    | X                    | 5.25  | 10.5   | APB2 (max. 84 MHz) |
| USART2     | X                 | X               | X   | X          | X    | X                    | 2.62  | 5.25   | APB1 (max. 42 MHz) |
| USART3     | X                 | X               | X   | X          | X    | X                    | 2.62  | 5.25   | APB1 (max. 42 MHz) |
| UART4      | X                 | -               | X   | -          | X    | -                    | 2.62  | 5.25   | APB1 (max. 42 MHz) |
| UART5      | X                 | -               | X   | -          | X    | -                    | 2.62  | 5.25   | APB1 (max. 42 MHz) |
| USART6     | X                 | X               | X   | X          | X    | X                    | 5.25  | 10.5   | APB2 (max. 84 MHz) |

### 2.2.24 Serial peripheral interface (SPI)

The STM32F40x feature up to three SPIs in slave and master modes in full-duplex and simplex communication modes. SPI1 can communicate at up to 42 Mbits/s, SPI2 and SPI3 can communicate at up to 21 Mbit/s. The 3-bit prescaler gives 8 master mode frequencies and the frame is configurable to 8 bits or 16 bits. The hardware CRC generation/verification supports basic SD Card/MMC modes. All SPIs can be served by the DMA controller.

The SPI interface can be configured to operate in TI mode for communications in master mode and slave mode.

### 2.2.25 Inter-integrated sound (I<sup>2</sup>S)

Two standard I<sup>2</sup>S interfaces (multiplexed with SPI2 and SPI3) are available. They can be operated in master or slave mode, in full duplex and half-duplex communication modes, and can be configured to operate with a 16-/32-bit resolution as an input or output channel. Audio sampling frequencies from 8 kHz up to 192 kHz are supported. When either or both of the I<sup>2</sup>S interfaces is/are configured in master mode, the master clock can be output to the external DAC/CODEC at 256 times the sampling frequency.

All I<sup>2</sup>Sx can be served by the DMA controller.

### 2.2.26 Audio PLL (PLLI2S)

The devices feature an additional dedicated PLL for audio I<sup>2</sup>S application. It allows to achieve error-free I<sup>2</sup>S sampling clock accuracy without compromising on the CPU performance, while using USB peripherals.

The PLLI2S configuration can be modified to manage an I<sup>2</sup>S sample rate change without disabling the main PLL (PLL) used for CPU, USB and Ethernet interfaces.

The audio PLL can be programmed with very low error to obtain sampling rates ranging from 8 KHz to 192 KHz.

In addition to the audio PLL, a master clock input pin can be used to synchronize the I<sup>2</sup>S flow with an external PLL (or Codec output).

### 2.2.27 Secure digital input/output interface (SDIO)

An SD/SDIO/MMC host interface is available, that supports MultiMediaCard System Specification Version 4.2 in three different databus modes: 1-bit (default), 4-bit and 8-bit.

The interface allows data transfer at up to 48 MHz, and is compliant with the SD Memory Card Specification Version 2.0.

The SDIO Card Specification Version 2.0 is also supported with two different databus modes: 1-bit (default) and 4-bit.

The current version supports only one SD/SDIO/MMC4.2 card at any one time and a stack of MMC4.1 or previous.

In addition to SD/SDIO/MMC, this interface is fully compliant with the CE-ATA digital protocol Rev1.1.

### 2.2.28 Ethernet MAC interface with dedicated DMA and IEEE 1588 support

Peripheral available only on the STM32F407xx devices.

The STM32F407xx devices provide an IEEE-802.3-2002-compliant media access controller (MAC) for ethernet LAN communications through an industry-standard medium-independent interface (MII) or a reduced medium-independent interface (RMII). The STM32F407xx requires an external physical interface device (PHY) to connect to the physical LAN bus (twisted-pair, fiber, etc.). the PHY is connected to the STM32F407xx MII port using 17 signals for MII or 9 signals for RMII, and can be clocked using the 25 MHz (MII) from the STM32F407xx.

The STM32F407xx includes the following features:

- Supports 10 and 100 Mbit/s rates
- Dedicated DMA controller allowing high-speed transfers between the dedicated SRAM and the descriptors (see the STM32F40x reference manual for details)
- Tagged MAC frame support (VLAN support)
- Half-duplex (CSMA/CD) and full-duplex operation
- MAC control sublayer (control frames) support
- 32-bit CRC generation and removal
- Several address filtering modes for physical and multicast address (multicast and group addresses)
- 32-bit status code for each transmitted or received frame
- Internal FIFOs to buffer transmit and receive frames. The transmit FIFO and the receive FIFO are both 2 Kbytes.
- Supports hardware PTP (precision time protocol) in accordance with IEEE 1588 2008 (PTP V2) with the time stamp comparator connected to the TIM2 input
- Triggers interrupt when system time becomes greater than target time

### 2.2.29 Controller area network (bxCAN)

The two CANs are compliant with the 2.0A and B (active) specifications with a bitrate up to 1 Mbit/s. They can receive and transmit standard frames with 11-bit identifiers as well as extended frames with 29-bit identifiers. Each CAN has three transmit mailboxes, two receive FIFOs with 3 stages and 28 shared scalable filter banks (all of them can be used even if one CAN is used). 256 bytes of SRAM are allocated for each CAN.

### 2.2.30 Universal serial bus on-the-go full-speed (OTG\_FS)

The STM32F405xx and STM32F407xx embed an USB OTG full-speed device/host/OTG peripheral with integrated transceivers. The USB OTG FS peripheral is compliant with the USB 2.0 specification and with the OTG 1.0 specification. It has software-configurable endpoint setting and supports suspend/resume. The USB OTG full-speed controller requires a dedicated 48 MHz clock that is generated by a PLL connected to the HSE oscillator. The major features are:

- Combined Rx and Tx FIFO size of 320 × 35 bits with dynamic FIFO sizing
- Supports the session request protocol (SRP) and host negotiation protocol (HNP)
- 4 bidirectional endpoints
- 8 host channels with periodic OUT support
- HNP/SNP/IP inside (no need for any external resistor)
- For OTG/Host modes, a power switch is needed in case bus-powered devices are connected

### 2.2.31 Universal serial bus on-the-go high-speed (OTG\_HS)

The STM32F405xx and STM32F407xx devices embed a USB OTG high-speed (up to 480 Mb/s) device/host/OTG peripheral. The USB OTG HS supports both full-speed and high-speed operations. It integrates the transceivers for full-speed operation (12 MB/s) and features a UTMI low-pin interface (ULPI) for high-speed operation (480 MB/s). When using the USB OTG HS in HS mode, an external PHY device connected to the ULPI is required.

The USB OTG HS peripheral is compliant with the USB 2.0 specification and with the OTG 1.0 specification. It has software-configurable endpoint setting and supports suspend/resume. The USB OTG full-speed controller requires a dedicated 48 MHz clock that is generated by a PLL connected to the HSE oscillator.

The major features are:

- Combined Rx and Tx FIFO size of 1 Kbit × 35 with dynamic FIFO sizing
- Supports the session request protocol (SRP) and host negotiation protocol (HNP)
- 6 bidirectional endpoints
- 12 host channels with periodic OUT support
- Internal FS OTG PHY support
- External HS or HS OTG operation supporting ULPI in SDR mode. The OTG PHY is connected to the microcontroller ULPI port through 12 signals. It can be clocked using the 60 MHz output.
- Internal USB DMA
- HNP/SNP/IP inside (no need for any external resistor)
- for OTG/Host modes, a power switch is needed in case bus-powered devices are connected

### 2.2.32 Digital camera interface (DCMI)

The camera interface is *not* available in STM32F405xx devices.

STM32F407xx products embed a camera interface that can connect with camera modules and CMOS sensors through an 8-bit to 14-bit parallel interface, to receive video data. The camera interface can sustain a data transfer rate up to 54 Mbyte/s at 54 MHz. It features:

- Programmable polarity for the input pixel clock and synchronization signals
- Parallel data communication can be 8-, 10-, 12- or 14-bit
- Supports 8-bit progressive video monochrome or raw bayer format, YCbCr 4:2:2 progressive video, RGB 565 progressive video or compressed data (like JPEG)
- Supports continuous mode or snapshot (a single frame) mode
- Capability to automatically crop the image

### 2.2.33 Random number generator (RNG)

All STM32F405xx and STM32F407xx products embed an RNG that delivers 32-bit random numbers generated by an integrated analog circuit.

### 2.2.34 General-purpose input/outputs (GPIOs)

Each of the GPIO pins can be configured by software as output (push-pull or open-drain, with or without pull-up or pull-down), as input (floating, with or without pull-up or pull-down) or as peripheral alternate function. Most of the GPIO pins are shared with digital or analog alternate functions. All GPIOs are high-current-capable and have speed selection to better manage internal noise, power consumption and electromagnetic emission.

The I/O configuration can be locked if needed by following a specific sequence in order to avoid spurious writing to the I/Os registers.

Fast I/O handling allowing maximum I/O toggling up to 84 MHz.

### 2.2.35 Analog-to-digital converters (ADCs)

Three 12-bit analog-to-digital converters are embedded and each ADC shares up to 16 external channels, performing conversions in the single-shot or scan mode. In scan mode, automatic conversion is performed on a selected group of analog inputs.

Additional logic functions embedded in the ADC interface allow:

- Simultaneous sample and hold
- Interleaved sample and hold

The ADC can be served by the DMA controller. An analog watchdog feature allows very precise monitoring of the converted voltage of one, some or all selected channels. An interrupt is generated when the converted voltage is outside the programmed thresholds.

To synchronize A/D conversion and timers, the ADCs could be triggered by any of TIM1, TIM2, TIM3, TIM4, TIM5, or TIM8 timer.

### 2.2.36 Temperature sensor

The temperature sensor has to generate a voltage that varies linearly with temperature. The conversion range is between 1.8 V and 3.6 V. The temperature sensor is internally

connected to the ADC1\_IN16 input channel which is used to convert the sensor output voltage into a digital value.

As the offset of the temperature sensor varies from chip to chip due to process variation, the internal temperature sensor is mainly suitable for applications that detect temperature changes instead of absolute temperatures. If an accurate temperature reading is needed, then an external temperature sensor part should be used.

### 2.2.37 Digital-to-analog converter (DAC)

The two 12-bit buffered DAC channels can be used to convert two digital signals into two analog voltage signal outputs.

This dual digital Interface supports the following features:

- two DAC converters: one for each output channel
- 8-bit or 12-bit monotonic output
- left or right data alignment in 12-bit mode
- synchronized update capability
- noise-wave generation
- triangular-wave generation
- dual DAC channel independent or simultaneous conversions
- DMA capability for each channel
- external triggers for conversion
- input voltage reference  $V_{REF+}$

Eight DAC trigger inputs are used in the device. The DAC channels are triggered through the timer update outputs that are also connected to different DMA streams.

### 2.2.38 Serial wire JTAG debug port (SWJ-DP)

The ARM SWJ-DP interface is embedded, and is a combined JTAG and serial wire debug port that enables either a serial wire debug or a JTAG probe to be connected to the target.

Debug is performed using 2 pins only instead of 5 required by the JTAG (JTAG pins could be re-use as GPIO with alternate function): the JTAG TMS and TCK pins are shared with SWDIO and SWCLK, respectively, and a specific sequence on the TMS pin is used to switch between JTAG-DP and SW-DP.

### 2.2.39 Embedded Trace Macrocell™

The ARM Embedded Trace Macrocell provides a greater visibility of the instruction and data flow inside the CPU core by streaming compressed data at a very high rate from the STM32F40x through a small number of ETM pins to an external hardware trace port analyser (TPA) device. The TPA is connected to a host computer using USB, Ethernet, or any other high-speed channel. Real-time instruction and data flow activity can be recorded and then formatted for display on the host computer that runs the debugger software. TPA hardware is commercially available from common development tool vendors.

The Embedded Trace Macrocell operates with third party debugger software tools.

### 3 Pinouts and pin description

Figure 12. STM32F40x LQFP64 pinout

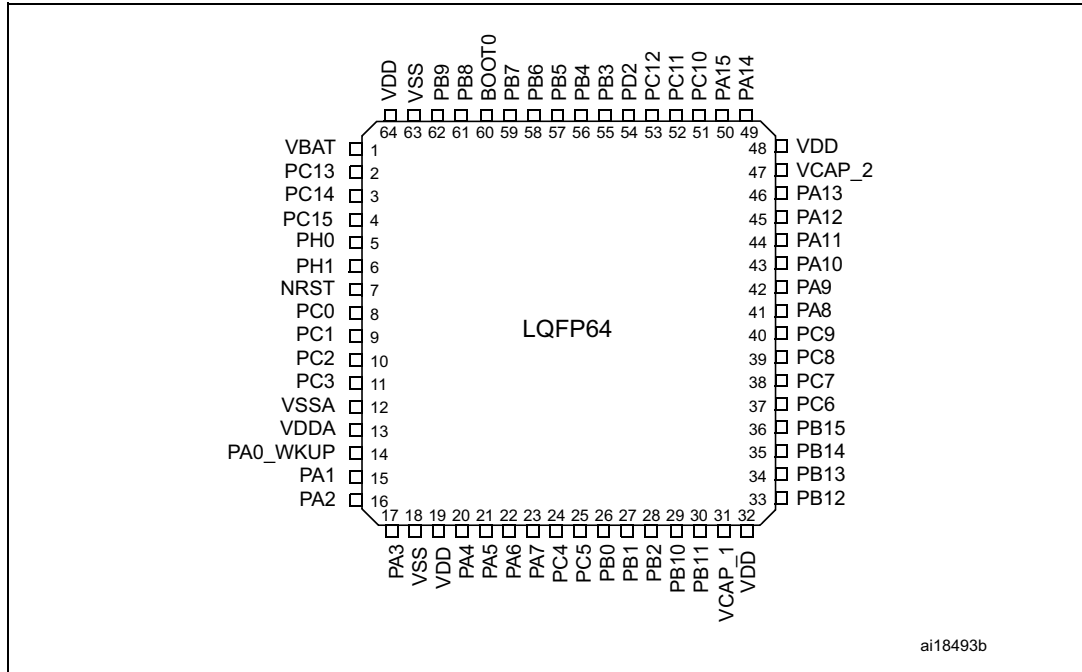




Figure 13. STM32F40x LQFP100 pinout

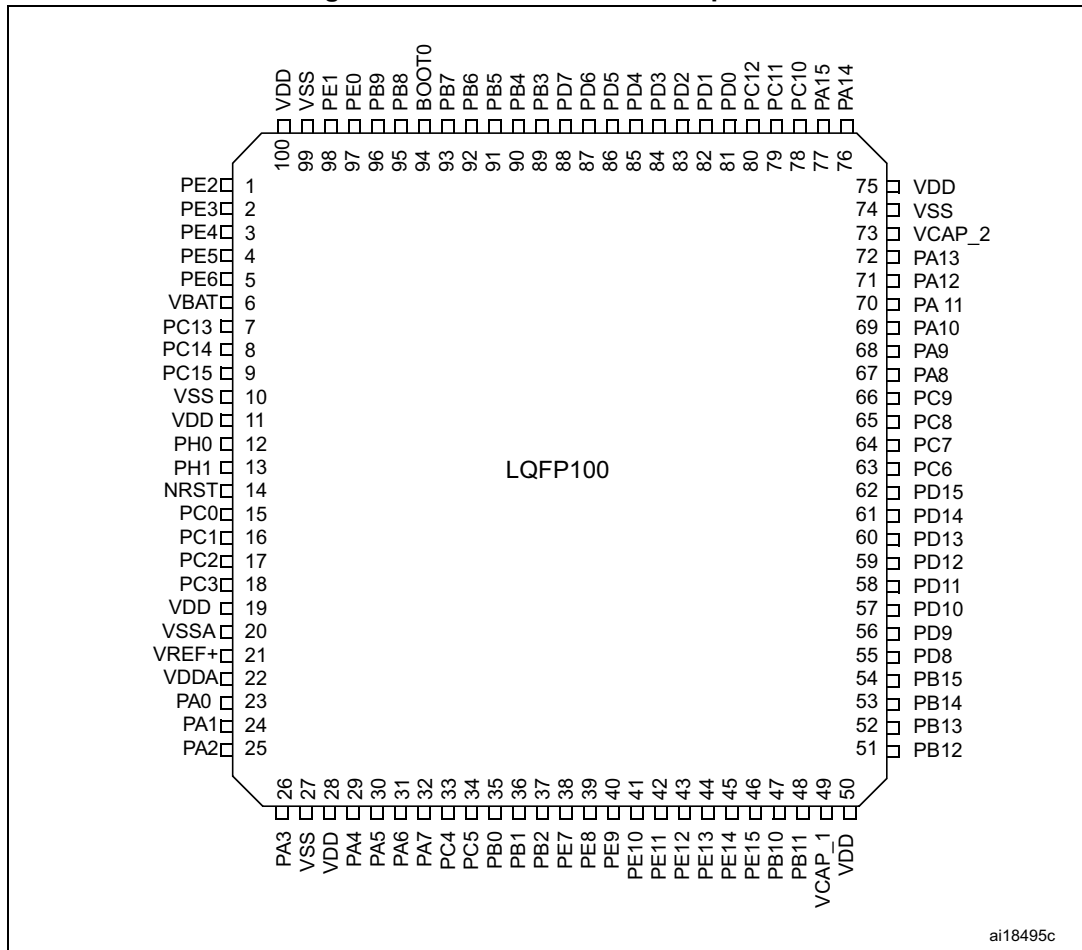
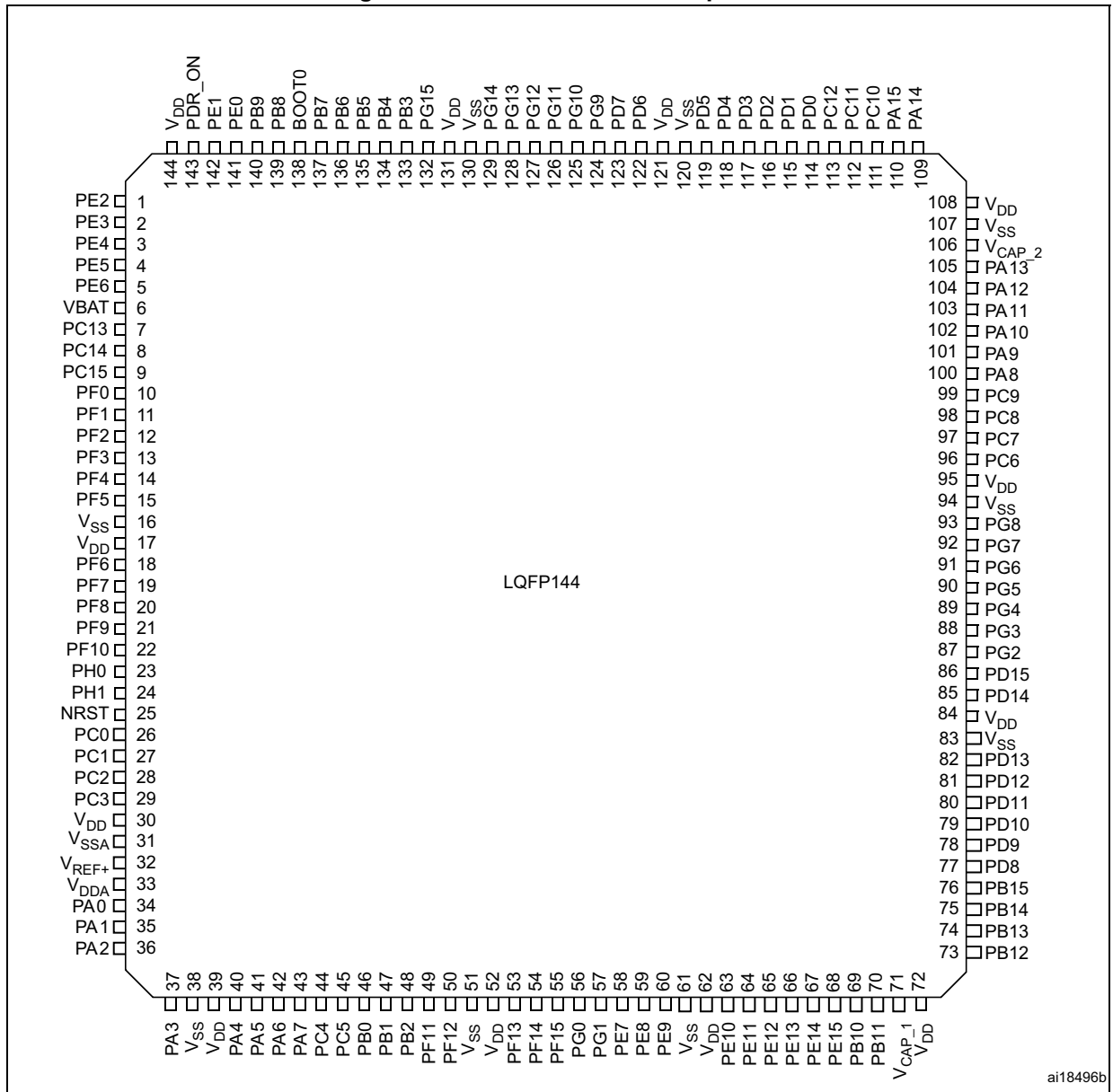


Figure 14. STM32F40x LQFP144 pinout



ai18496b

Figure 15. STM32F40x LQFP176 pinout

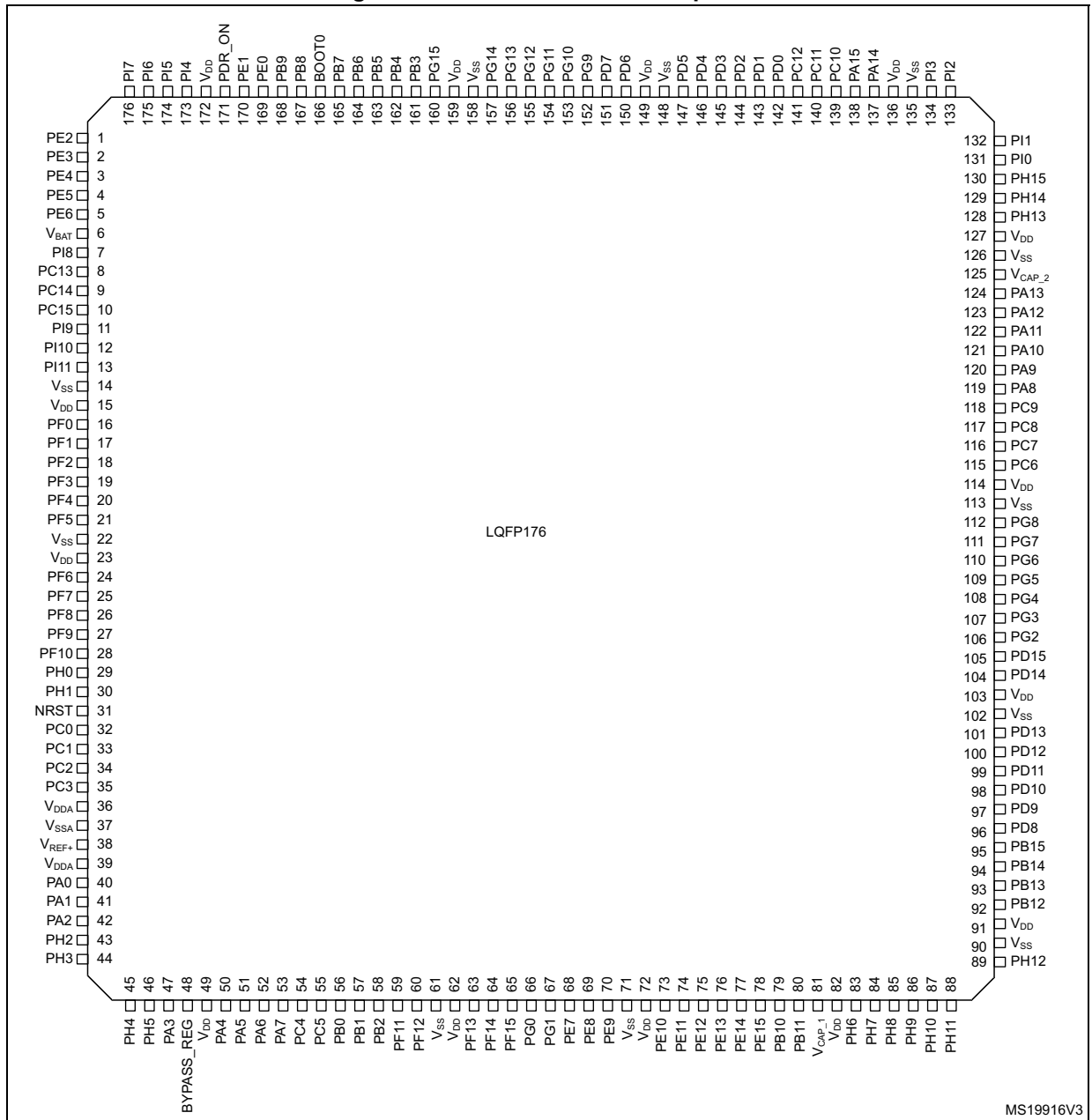


Figure 16. STM32F40x UFBGA176 ballout

|   | 1     | 2   | 3    | 4          | 5   | 6      | 7    | 8    | 9    | 10     | 11   | 12   | 13   | 14   | 15   |        |     |     |
|---|-------|-----|------|------------|-----|--------|------|------|------|--------|------|------|------|------|------|--------|-----|-----|
| A | PE3   | PE2 | PE1  | PE0        | PB8 | PB5    | PG14 | PG13 | PB4  | PB3    | PD7  | PC12 | PA15 | PA14 | PA13 |        |     |     |
| B | PE4   | PE5 | PE6  | PB9        | PB7 | PB6    | PG15 | PG12 | PG11 | PG10   | PD6  | PD0  | PC11 | PC10 | PA12 |        |     |     |
| C | VBAT  | PI7 | PI6  | PI5        | VDD | PDR_ON | VDD  | VDD  | VDD  | PG9    | PD5  | PD1  | PI3  | PI2  | PA11 |        |     |     |
| D | PC13  | PI8 | PI9  | PI4        | VSS | BOOT0  | VSS  | VSS  | VSS  | PD4    | PD3  | PD2  | PH15 | PH1  | PA10 |        |     |     |
| E | PC14  | PF0 | PI10 | PI11       |     |        |      |      |      |        |      | PH13 | PH14 | PI0  | PA9  |        |     |     |
| F | PC15  | VSS | VDD  | PH2        | VSS |        |      |      |      | VSS    |      |      |      |      | VSS  | VCAP_2 | PC9 | PA8 |
| G | PH0   | VSS | VDD  | PH3        | VSS |        |      |      |      | VSS    |      |      |      |      | VSS  | VDD    | PC8 | PC7 |
| H | PH1   | PF2 | PF1  | PH4        | VSS |        |      |      |      | VSS    |      |      |      |      | VSS  | VDD    | PG8 | PC6 |
| J | NRST  | PF3 | PF4  | PH5        | VSS |        |      |      |      | VSS    |      |      |      |      | VDD  | VDD    | PG7 | PG6 |
| K | PF7   | PF6 | PF5  | VDD        | VSS |        |      |      |      | VSS    |      |      |      |      | PH12 | PG5    | PG4 | PG3 |
| L | PF10  | PF9 | PF8  | BYPASS_REG |     |        |      |      |      |        |      | PH11 | PH10 | PD15 | PG2  |        |     |     |
| M | VSSA  | PC0 | PC1  | PC2        | PC3 | PB2    | PG1  | VSS  | VSS  | VCAP_1 | PH6  | PH8  | PH9  | PD14 | PD13 |        |     |     |
| N | VREF- | PA1 | PA0  | PA4        | PC4 | PF13   | PG0  | VDD  | VDD  | VDD    | PE13 | PH7  | PD12 | PD11 | PD10 |        |     |     |
| P | VREF+ | PA2 | PA6  | PA5        | PC5 | PF12   | PF15 | PE8  | PE9  | PE11   | PE14 | PB12 | PB13 | PD9  | PD8  |        |     |     |
| R | VDDA  | PA3 | PA7  | PB1        | PB0 | PF11   | PF14 | PE7  | PE10 | PE12   | PE15 | PB10 | PB11 | PB14 | PB15 |        |     |     |

ai18497b

1. This figure shows the package top view.

Figure 17. STM32F40x WLCSP90 ballout

|   |      |            |        |       |      |      |        |      |      |        |
|---|------|------------|--------|-------|------|------|--------|------|------|--------|
|   | 10   | 9          | 8      | 7     | 6    | 5    | 4      | 3    | 2    | 1      |
| A | VBAT | PC13       | PDR_ON | BOOT0 | PB4  | PD7  | PD4    | PC12 | PA14 | VDD    |
| B | PC14 | PC15       | VDD    | PB7   | PB3  | PD6  | PD2    | PA15 | PI1  | VCAP_2 |
| C | PA0  | VSS        | PB9    | PB6   | PD5  | PD1  | PC11   | PI0  | PA12 | PA11   |
| D | PC2  | BYPASS_REG | PB8    | PB5   | PD0  | PC10 | PA13   | PA10 | PA9  | PA8    |
| E | PC0  | PC3        | VSS    | VSS   | VDD  | VSS  | VDD    | PC9  | PC8  | PC7    |
| F | PH0  | PH1        | PA1    | VDD   | PE10 | PE14 | VCAP_1 | PC6  | PD14 | PD15   |
| G | NRST | VDDA       | PA5    | PB0   | PE7  | PE13 | PE15   | PD10 | PD12 | PD11   |
| H | VSSA | PA3        | PA6    | PB1   | PE8  | PE12 | PB10   | PD9  | PD8  | PB15   |
| J | PA2  | PA4        | PA7    | PB2   | PE9  | PE11 | PB11   | PB12 | PB14 | PB13   |

MS30402V1

1. This figure shows the package bump view.

Table 6. Legend/abbreviations used in the pinout table

| Name                 | Abbreviation | Definition  |
|----------------------|--------------|---|
| Pin name             |              | Unless otherwise specified in brackets below the pin name, the pin function during and after reset is the same as the actual pin name |
| Pin type             | S            | Supply pin  |
|                      | I            | Input only pin  |
|                      | I/O          | Input / output pin  |
| I/O structure        | FT           | 5 V tolerant I/O  |
|                      | TTa          | 3.3 V tolerant I/O directly connected to ADC  |
|                      | B            | Dedicated BOOT0 pin   |
|                      | RST          | Bidirectional reset pin with embedded weak pull-up resistor   |
| Notes                |              | Unless otherwise specified by a note, all I/Os are set as floating inputs during and after reset                                      |
| Alternate functions  |              | Functions selected through GPIOx_AFR registers  |
| Additional functions |              | Functions directly selected/enabled through peripheral registers  |

Table 7. STM32F40x pin and ball definitions

| Pin number |         |         |         |          |         | Pin name<br>(function after<br>reset) <sup>(1)</sup> | Pin type | I / O structure | Notes      | Alternate functions                                      | Additional functions               |
|------------|---------|---------|---------|----------|---------|--|----------|-----------------|------------|--|------------------------------------|
| LQFP64     | WLCSP90 | LQFP100 | LQFP144 | UFBGA176 | LQFP176 |  |          |                 |            |  |                                    |
| -          | -       | 1       | 1       | A2       | 1       | PE2  | I/O      | FT              |            | TRACECLK/ FSMC_A23 /<br>ETH_MII_TXD3 /<br>EVENTOUT       |                                    |
| -          | -       | 2       | 2       | A1       | 2       | PE3  | I/O      | FT              |            | TRACED0/FSMC_A19 /<br>EVENTOUT                           |                                    |
| -          | -       | 3       | 3       | B1       | 3       | PE4  | I/O      | FT              |            | TRACED1/FSMC_A20 /<br>DCMI_D4/ EVENTOUT                  |                                    |
| -          | -       | 4       | 4       | B2       | 4       | PE5  | I/O      | FT              |            | TRACED2 / FSMC_A21 /<br>TIM9_CH1 / DCMI_D6 /<br>EVENTOUT |                                    |
| -          | -       | 5       | 5       | B3       | 5       | PE6  | I/O      | FT              |            | TRACED3 / FSMC_A22 /<br>TIM9_CH2 / DCMI_D7 /<br>EVENTOUT |                                    |
| 1          | A10     | 6       | 6       | C1       | 6       | V <sub>BAT</sub>                                     | S        |                 |            |  |                                    |
| -          | -       | -       | -       | D2       | 7       | PI8  | I/O      | FT              | (2)(<br>3) | EVENTOUT   | RTC_TAMP1,<br>RTC_TAMP2,<br>RTC_TS |
| 2          | A9      | 7       | 7       | D1       | 8       | PC13   | I/O      | FT              | (2)(<br>3) | EVENTOUT   | RTC_OUT,<br>RTC_TAMP1,<br>RTC_TS   |
| 3          | B10     | 8       | 8       | E1       | 9       | PC14/OSC32_IN<br>(PC14)                              | I/O      | FT              | (2)(<br>3) | EVENTOUT   | OSC32_IN <sup>(4)</sup>            |
| 4          | B9      | 9       | 9       | F1       | 10      | PC15/<br>OSC32_OUT<br>(PC15)                         | I/O      | FT              | (2)(<br>3) | EVENTOUT   | OSC32_OUT <sup>(4)</sup>           |
| -          | -       | -       | -       | D3       | 11      | PI9  | I/O      | FT              |            | CAN1_RX / EVENTOUT                                       |                                    |
| -          | -       | -       | -       | E3       | 12      | PI10   | I/O      | FT              |            | ETH_MII_RX_ER /<br>EVENTOUT                              |                                    |
| -          | -       | -       | -       | E4       | 13      | PI11   | I/O      | FT              |            | OTG_HS_ULPI_DIR /<br>EVENTOUT                            |                                    |
| -          | -       | -       | -       | F2       | 14      | V <sub>SS</sub>                                      | S        |                 |            |  |                                    |
| -          | -       | -       | -       | F3       | 15      | V <sub>DD</sub>                                      | S        |                 |            |  |                                    |
| -          | -       | -       | 10      | E2       | 16      | PF0  | I/O      | FT              |            | FSMC_A0 / I2C2_SDA /<br>EVENTOUT                         |                                    |

Table 7. STM32F40x pin and ball definitions (continued)

| Pin number |         |         |         |          |         | Pin name<br>(function after<br>reset) <sup>(1)</sup> | Pin type | I / O<br>structure | Notes | Alternate functions   | Additional functions   |
|------------|---------|---------|---------|----------|---------|--|----------|--------------------|-------|---|------------------------|
| LQFP64     | WLCSP90 | LQFP100 | LQFP144 | UFBGA176 | LQFP176 |  |          |                    |       |   |                        |
| -          | -       | -       | 11      | H3       | 17      | PF1  | I/O      | FT                 |       | FSMC_A1 / I2C2_SCL /<br>EVENTOUT  |                        |
| -          | -       | -       | 12      | H2       | 18      | PF2  | I/O      | FT                 |       | FSMC_A2 / I2C2_SMBA /<br>EVENTOUT   |                        |
| -          | -       | -       | 13      | J2       | 19      | PF3  | I/O      | FT                 | (4)   | FSMC_A3/EVENTOUT  | ADC3_IN9               |
| -          | -       | -       | 14      | J3       | 20      | PF4  | I/O      | FT                 | (4)   | FSMC_A4/EVENTOUT  | ADC3_IN14              |
| -          | -       | -       | 15      | K3       | 21      | PF5  | I/O      | FT                 | (4)   | FSMC_A5/EVENTOUT  | ADC3_IN15              |
| -          | C9      | 10      | 16      | G2       | 22      | V <sub>SS</sub>                                      | S        |                    |       |   |                        |
| -          | B8      | 11      | 17      | G3       | 23      | V <sub>DD</sub>                                      | S        |                    |       |   |                        |
| -          | -       | -       | 18      | K2       | 24      | PF6  | I/O      | FT                 | (4)   | TIM10_CH1 /<br>FSMC_NIORD/<br>EVENTOUT                                    | ADC3_IN4               |
| -          | -       | -       | 19      | K1       | 25      | PF7  | I/O      | FT                 | (4)   | TIM11_CH1/FSMC_NREG<br>/ EVENTOUT   | ADC3_IN5               |
| -          | -       | -       | 20      | L3       | 26      | PF8  | I/O      | FT                 | (4)   | TIM13_CH1 /<br>FSMC_NIOWR/<br>EVENTOUT                                    | ADC3_IN6               |
| -          | -       | -       | 21      | L2       | 27      | PF9  | I/O      | FT                 | (4)   | TIM14_CH1 / FSMC_CD/<br>EVENTOUT  | ADC3_IN7               |
| -          | -       | -       | 22      | L1       | 28      | PF10   | I/O      | FT                 | (4)   | FSMC_INTR/ EVENTOUT   | ADC3_IN8               |
| 5          | F10     | 12      | 23      | G1       | 29      | PH0/OSC_IN<br>(PH0)                                  | I/O      | FT                 |       | EVENTOUT  | OSC_IN <sup>(4)</sup>  |
| 6          | F9      | 13      | 24      | H1       | 30      | PH1/OSC_OUT<br>(PH1)                                 | I/O      | FT                 |       | EVENTOUT  | OSC_OUT <sup>(4)</sup> |
| 7          | G10     | 14      | 25      | J1       | 31      | NRST   | I/O      | RS<br>T            |       |   |                        |
| 8          | E10     | 15      | 26      | M2       | 32      | PC0  | I/O      | FT                 | (4)   | OTG_HS_ULPI_STP/<br>EVENTOUT  | ADC123_IN10            |
| 9          | -       | 16      | 27      | M3       | 33      | PC1  | I/O      | FT                 | (4)   | ETH_MDC/ EVENTOUT   | ADC123_IN11            |
| 10         | D10     | 17      | 28      | M4       | 34      | PC2  | I/O      | FT                 | (4)   | SPI2_MISO /<br>OTG_HS_ULPI_DIR /<br>ETH_MII_TXD2<br>/I2S2ext_SD/ EVENTOUT | ADC123_IN12            |

Table 7. STM32F40x pin and ball definitions (continued)

| Pin number |         |         |         |          |         | Pin name<br>(function after<br>reset) <sup>(1)</sup> | Pin type | I / O<br>structure | Notes | Alternate functions   | Additional functions           |
|------------|---------|---------|---------|----------|---------|--|----------|--------------------|-------|---|--------------------------------|
| LQFP64     | WLCSP90 | LQFP100 | LQFP144 | UFBGA176 | LQFP176 |  |          |                    |       |   |                                |
| 11         | E9      | 18      | 29      | M5       | 35      | PC3  | I/O      | FT                 | (4)   | SPI2_MOSI / I2S2_SD /<br>OTG_HS_ULPI_NXT /<br>ETH_MII_TX_CLK/<br>EVENTOUT                               | ADC123_IN13                    |
| -          | -       | 19      | 30      | G3       | 36      | V <sub>DD</sub>                                      | S        |                    |       |   |                                |
| 12         | H10     | 20      | 31      | M1       | 37      | V <sub>SSA</sub>                                     | S        |                    |       |   |                                |
| -          | -       | -       | -       | N1       | -       | V <sub>REF-</sub>                                    | S        |                    |       |   |                                |
| -          | -       | 21      | 32      | P1       | 38      | V <sub>REF+</sub>                                    | S        |                    |       |   |                                |
| 13         | G9      | 22      | 33      | R1       | 39      | V <sub>DDA</sub>                                     | S        |                    |       |   |                                |
| 14         | C10     | 23      | 34      | N3       | 40      | PA0/WKUP<br>(PA0)                                    | I/O      | FT                 | (5)   | USART2_CTS/<br>UART4_TX/<br>ETH_MII_CRX /<br>TIM2_CH1_ETR/<br>TIM5_CH1 / TIM8_ETR/<br>EVENTOUT          | ADC123_IN0/WKUP <sup>(4)</sup> |
| 15         | F8      | 24      | 35      | N2       | 41      | PA1  | I/O      | FT                 | (4)   | USART2_RTS /<br>UART4_RX/<br>ETH_RMII_REF_CLK /<br>ETH_MII_RX_CLK /<br>TIM5_CH2 / TIM2_CH2/<br>EVENTOUT | ADC123_IN1                     |
| 16         | J10     | 25      | 36      | P2       | 42      | PA2  | I/O      | FT                 | (4)   | USART2_TX/TIM5_CH3 /<br>TIM9_CH1 / TIM2_CH3 /<br>ETH_MDIO/ EVENTOUT                                     | ADC123_IN2                     |
| -          | -       | -       | -       | F4       | 43      | PH2  | I/O      | FT                 |       | ETH_MII_CRX/EVENTOU<br>T  |                                |
| -          | -       | -       | -       | G4       | 44      | PH3  | I/O      | FT                 |       | ETH_MII_COL/EVENTOU<br>T  |                                |
| -          | -       | -       | -       | H4       | 45      | PH4  | I/O      | FT                 |       | I2C2_SCL /<br>OTG_HS_ULPI_NXT/<br>EVENTOUT  |                                |
| -          | -       | -       | -       | J4       | 46      | PH5  | I/O      | FT                 |       | I2C2_SDA/ EVENTOUT  |                                |



Table 7. STM32F40x pin and ball definitions (continued)

| Pin number |         |         |         |          |         | Pin name<br>(function after<br>reset) <sup>(1)</sup> | Pin type | I / O structure | Notes | Alternate functions   | Additional functions   |
|------------|---------|---------|---------|----------|---------|--|----------|-----------------|-------|---|------------------------|
| LQFP64     | WLCSP90 | LQFP100 | LQFP144 | UFBGA176 | LQFP176 |  |          |                 |       |   |                        |
| 17         | H9      | 26      | 37      | R2       | 47      | PA3  | I/O      | FT              | (4)   | USART2_RX/TIM5_CH4 /<br>TIM9_CH2 / TIM2_CH4 /<br>OTG_HS_ULPI_D0 /<br>ETH_MII_COL/<br>EVENTOUT                   | ADC123_IN3             |
| 18         | E5      | 27      | 38      | -        | -       | V <sub>SS</sub>                                      | S        |                 |       |   |                        |
|            | D9      |         |         | L4       | 48      | BYPASS_REG   | I        | FT              |       |   |                        |
| 19         | E4      | 28      | 39      | K4       | 49      | V <sub>DD</sub>                                      | S        |                 |       |   |                        |
| 20         | J9      | 29      | 40      | N4       | 50      | PA4  | I/O      | TTa             | (4)   | SPI1_NSS / SPI3_NSS /<br>USART2_CK /<br>DCMI_HSYNC /<br>OTG_HS_SOF/I2S3_WS/<br>EVENTOUT                         | ADC12_IN4<br>/DAC_OUT1 |
| 21         | G8      | 30      | 41      | P4       | 51      | PA5  | I/O      | TTa             | (4)   | SPI1_SCK/<br>OTG_HS_ULPI_CK /<br>TIM2_CH1_ETR/<br>TIM8_CH1N/ EVENTOUT   | ADC12_IN5/DAC_OU<br>T2 |
| 22         | H8      | 31      | 42      | P3       | 52      | PA6  | I/O      | FT              | (4)   | SPI1_MISO /<br>TIM8_BKIN/TIM13_CH1 /<br>DCMI_PIXCLK /<br>TIM3_CH1 / TIM1_BKIN/<br>EVENTOUT                      | ADC12_IN6              |
| 23         | J8      | 32      | 43      | R3       | 53      | PA7  | I/O      | FT              | (4)   | SPI1_MOSI/ TIM8_CH1N<br>/ TIM14_CH1/TIM3_CH2/<br>ETH_MII_RX_DV /<br>TIM1_CH1N /<br>ETH_RMII_CRS_DV/<br>EVENTOUT | ADC12_IN7              |
| 24         | -       | 33      | 44      | N5       | 54      | PC4  | I/O      | FT              | (4)   | ETH_RMII_RX_D0 /<br>ETH_MII_RX_D0/<br>EVENTOUT  | ADC12_IN14             |
| 25         | -       | 34      | 45      | P5       | 55      | PC5  | I/O      | FT              | (4)   | ETH_RMII_RX_D1 /<br>ETH_MII_RX_D1/<br>EVENTOUT  | ADC12_IN15             |
| 26         | G7      | 35      | 46      | R5       | 56      | PB0  | I/O      | FT              | (4)   | TIM3_CH3 / TIM8_CH2N/<br>OTG_HS_ULPI_D1/<br>ETH_MII_RXD2 /<br>TIM1_CH2N/ EVENTOUT                               | ADC12_IN8              |

Table 7. STM32F40x pin and ball definitions (continued)

| Pin number |         |         |         |          |         | Pin name<br>(function after<br>reset) <sup>(1)</sup> | Pin type | I / O structure | Notes | Alternate functions   | Additional functions |
|------------|---------|---------|---------|----------|---------|--|----------|-----------------|-------|---|----------------------|
| LQFP64     | WLCSP90 | LQFP100 | LQFP144 | UFBGA176 | LQFP176 |  |          |                 |       |   |                      |
| 27         | H7      | 36      | 47      | R4       | 57      | PB1  | I/O      | FT              | (4)   | TIM3_CH4 / TIM8_CH3N/<br>OTG_HS_ULPI_D2/<br>ETH_MII_RXD3 /<br>TIM1_CH3N/ EVENTOUT | ADC12_IN9            |
| 28         | J7      | 37      | 48      | M6       | 58      | PB2/BOOT1<br>(PB2)                                   | I/O      | FT              |       | EVENTOUT  |                      |
| -          | -       | -       | 49      | R6       | 59      | PF11   | I/O      | FT              |       | DCMI_D12/ EVENTOUT  |                      |
| -          | -       | -       | 50      | P6       | 60      | PF12   | I/O      | FT              |       | FSMC_A6/ EVENTOUT   |                      |
| -          | -       | -       | 51      | M8       | 61      | V <sub>SS</sub>                                      | S        |                 |       |   |                      |
| -          | -       | -       | 52      | N8       | 62      | V <sub>DD</sub>                                      | S        |                 |       |   |                      |
| -          | -       | -       | 53      | N6       | 63      | PF13   | I/O      | FT              |       | FSMC_A7/ EVENTOUT   |                      |
| -          | -       | -       | 54      | R7       | 64      | PF14   | I/O      | FT              |       | FSMC_A8/ EVENTOUT   |                      |
| -          | -       | -       | 55      | P7       | 65      | PF15   | I/O      | FT              |       | FSMC_A9/ EVENTOUT   |                      |
| -          | -       | -       | 56      | N7       | 66      | PG0  | I/O      | FT              |       | FSMC_A10/ EVENTOUT  |                      |
| -          | -       | -       | 57      | M7       | 67      | PG1  | I/O      | FT              |       | FSMC_A11/ EVENTOUT  |                      |
| -          | G6      | 38      | 58      | R8       | 68      | PE7  | I/O      | FT              |       | FSMC_D4/TIM1_ETR/<br>EVENTOUT   |                      |
| -          | H6      | 39      | 59      | P8       | 69      | PE8  | I/O      | FT              |       | FSMC_D5/ TIM1_CH1N/<br>EVENTOUT   |                      |
| -          | J6      | 40      | 60      | P9       | 70      | PE9  | I/O      | FT              |       | FSMC_D6/TIM1_CH1/<br>EVENTOUT   |                      |
| -          | -       | -       | 61      | M9       | 71      | V <sub>SS</sub>                                      | S        |                 |       |   |                      |
| -          | -       | -       | 62      | N9       | 72      | V <sub>DD</sub>                                      | S        |                 |       |   |                      |
| -          | F6      | 41      | 63      | R9       | 73      | PE10   | I/O      | FT              |       | FSMC_D7/TIM1_CH2N/<br>EVENTOUT  |                      |
| -          | J5      | 42      | 64      | P10      | 74      | PE11   | I/O      | FT              |       | FSMC_D8/TIM1_CH2/<br>EVENTOUT   |                      |
| -          | H5      | 43      | 65      | R10      | 75      | PE12   | I/O      | FT              |       | FSMC_D9/TIM1_CH3N/<br>EVENTOUT  |                      |
| -          | G5      | 44      | 66      | N11      | 76      | PE13   | I/O      | FT              |       | FSMC_D10/TIM1_CH3/<br>EVENTOUT  |                      |

Table 7. STM32F40x pin and ball definitions (continued)

| Pin number |         |         |         |          |         | Pin name<br>(function after<br>reset) <sup>(1)</sup> | Pin type | I / O<br>structure | Notes | Alternate functions  | Additional functions |
|------------|---------|---------|---------|----------|---------|--|----------|--------------------|-------|--|----------------------|
| LQFP64     | WLCSP90 | LQFP100 | LQFP144 | UFBGA176 | LQFP176 |  |          |                    |       |  |                      |
| -          | F5      | 45      | 67      | P11      | 77      | PE14   | I/O      | FT                 |       | FSMC_D11/TIM1_CH4/<br>EVENTOUT   |                      |
| -          | G4      | 46      | 68      | R11      | 78      | PE15   | I/O      | FT                 |       | FSMC_D12/TIM1_BKIN/<br>EVENTOUT  |                      |
| 29         | H4      | 47      | 69      | R12      | 79      | PB10   | I/O      | FT                 |       | SPI2_SCK / I2S2_CK /<br>I2C2_SCL/ USART3_TX /<br>OTG_HS_ULPI_D3 /<br>ETH_MII_RX_ER /<br>TIM2_CH3/ EVENTOUT |                      |
| 30         | J4      | 48      | 70      | R13      | 80      | PB11   | I/O      | FT                 |       | I2C2_SDA/USART3_RX/<br>OTG_HS_ULPI_D4 /<br>ETH_RMII_TX_EN/<br>ETH_MII_TX_EN /<br>TIM2_CH4/ EVENTOUT        |                      |
| 31         | F4      | 49      | 71      | M10      | 81      | V <sub>CAP_1</sub>                                   | S        |                    |       |  |                      |
| 32         | -       | 50      | 72      | N10      | 82      | V <sub>DD</sub>                                      | S        |                    |       |  |                      |
| -          | -       | -       | -       | M11      | 83      | PH6  | I/O      | FT                 |       | I2C2_SMBA / TIM12_CH1<br>/ ETH_MII_RXD2/<br>EVENTOUT   |                      |
| -          | -       | -       | -       | N12      | 84      | PH7  | I/O      | FT                 |       | I2C3_SCL /<br>ETH_MII_RXD3/<br>EVENTOUT  |                      |
| -          | -       | -       | -       | M12      | 85      | PH8  | I/O      | FT                 |       | I2C3_SDA /<br>DCMI_HSYNC/<br>EVENTOUT  |                      |
| -          | -       | -       | -       | M13      | 86      | PH9  | I/O      | FT                 |       | I2C3_SMBA /<br>TIM12_CH2/ DCMI_D0/<br>EVENTOUT   |                      |
| -          | -       | -       | -       | L13      | 87      | PH10   | I/O      | FT                 |       | TIM5_CH1 / DCMI_D1/<br>EVENTOUT  |                      |
| -          | -       | -       | -       | L12      | 88      | PH11   | I/O      | FT                 |       | TIM5_CH2 / DCMI_D2/<br>EVENTOUT  |                      |
| -          | -       | -       | -       | K12      | 89      | PH12   | I/O      | FT                 |       | TIM5_CH3 / DCMI_D3/<br>EVENTOUT  |                      |
| -          | -       | -       | -       | H12      | 90      | V <sub>SS</sub>                                      | S        |                    |       |  |                      |
| -          | -       | -       | -       | J12      | 91      | V <sub>DD</sub>                                      | S        |                    |       |  |                      |

Table 7. STM32F40x pin and ball definitions (continued)

| Pin number |         |         |         |          |         | Pin name<br>(function after<br>reset) <sup>(1)</sup> | Pin type | I / O structure | Notes   | Alternate functions | Additional functions |
|------------|---------|---------|---------|----------|---------|--|----------|-----------------|---|---------------------|----------------------|
| LQFP64     | WLCSP90 | LQFP100 | LQFP144 | UFBGA176 | LQFP176 |  |          |                 |   |                     |                      |
| 33         | J3      | 51      | 73      | P12      | 92      | PB12   | I/O      | FT              | SPI2_NSS / I2S2_WS /<br>I2C2_SMBA/<br>USART3_CK/ TIM1_BKIN<br>/ CAN2_RX /<br>OTG_HS_ULPI_D5/<br>ETH_RMII_TXD0 /<br>ETH_MII_TXD0/<br>OTG_HS_ID/ EVENTOUT |                     |                      |
| 34         | J1      | 52      | 74      | P13      | 93      | PB13   | I/O      | FT              | SPI2_SCK / I2S2_CK /<br>USART3_CTS/<br>TIM1_CH1N /CAN2_TX /<br>OTG_HS_ULPI_D6 /<br>ETH_RMII_TXD1 /<br>ETH_MII_TXD1/<br>EVENTOUT                         | OTG_HS_VBUS         |                      |
| 35         | J2      | 53      | 75      | R14      | 94      | PB14   | I/O      | FT              | SPI2_MISO/ TIM1_CH2N<br>/ TIM12_CH1 /<br>OTG_HS_DM/<br>USART3_RTS /<br>TIM8_CH2N/I2S2ext_SD/<br>EVENTOUT  |                     |                      |
| 36         | H1      | 54      | 76      | R15      | 95      | PB15   | I/O      | FT              | SPI2_MOSI / I2S2_SD/<br>TIM1_CH3N/ TIM8_CH3N<br>/ TIM12_CH2 /<br>OTG_HS_DP/<br>EVENTOUT   | RTC_REFIN           |                      |
| -          | H2      | 55      | 77      | P15      | 96      | PD8  | I/O      | FT              | FSMC_D13 /<br>USART3_TX/ EVENTOUT   |                     |                      |
| -          | H3      | 56      | 78      | P14      | 97      | PD9  | I/O      | FT              | FSMC_D14 /<br>USART3_RX/ EVENTOUT   |                     |                      |
| -          | G3      | 57      | 79      | N15      | 98      | PD10   | I/O      | FT              | FSMC_D15 /<br>USART3_CK/ EVENTOUT   |                     |                      |
| -          | G1      | 58      | 80      | N14      | 99      | PD11   | I/O      | FT              | FSMC_CLE /<br>FSMC_A16/USART3_CT<br>S/ EVENTOUT   |                     |                      |
| -          | G2      | 59      | 81      | N13      | 100     | PD12   | I/O      | FT              | FSMC_ALE/<br>FSMC_A17/TIM4_CH1 /<br>USART3_RTS/<br>EVENTOUT   |                     |                      |

Table 7. STM32F40x pin and ball definitions (continued)

| Pin number |         |         |         |          |         | Pin name<br>(function after<br>reset) <sup>(1)</sup> | Pin type | I / O<br>structure | Notes | Alternate functions  | Additional functions |
|------------|---------|---------|---------|----------|---------|--|----------|--------------------|-------|--|----------------------|
| LQFP64     | WLCSP90 | LQFP100 | LQFP144 | UFBGA176 | LQFP176 |  |          |                    |       |  |                      |
| -          | -       | 60      | 82      | M15      | 101     | PD13   | I/O      | FT                 |       | FSMC_A18/TIM4_CH2/<br>EVENTOUT   |                      |
| -          | -       | -       | 83      | -        | 102     | V <sub>SS</sub>                                      | S        |                    |       |  |                      |
| -          | -       | -       | 84      | J13      | 103     | V <sub>DD</sub>                                      | S        |                    |       |  |                      |
| -          | F2      | 61      | 85      | M14      | 104     | PD14   | I/O      | FT                 |       | FSMC_D0/TIM4_CH3/<br>EVENTOUT/ EVENTOUT  |                      |
| -          | F1      | 62      | 86      | L14      | 105     | PD15   | I/O      | FT                 |       | FSMC_D1/TIM4_CH4/<br>EVENTOUT  |                      |
| -          | -       | -       | 87      | L15      | 106     | PG2  | I/O      | FT                 |       | FSMC_A12/ EVENTOUT   |                      |
| -          | -       | -       | 88      | K15      | 107     | PG3  | I/O      | FT                 |       | FSMC_A13/ EVENTOUT   |                      |
| -          | -       | -       | 89      | K14      | 108     | PG4  | I/O      | FT                 |       | FSMC_A14/ EVENTOUT   |                      |
| -          | -       | -       | 90      | K13      | 109     | PG5  | I/O      | FT                 |       | FSMC_A15/ EVENTOUT   |                      |
| -          | -       | -       | 91      | J15      | 110     | PG6  | I/O      | FT                 |       | FSMC_INT2/ EVENTOUT  |                      |
| -          | -       | -       | 92      | J14      | 111     | PG7  | I/O      | FT                 |       | FSMC_INT3<br>/USART6_CK/<br>EVENTOUT   |                      |
| -          | -       | -       | 93      | H14      | 112     | PG8  | I/O      | FT                 |       | USART6_RTS /<br>ETH_PPS_OUT/<br>EVENTOUT   |                      |
| -          | -       | -       | 94      | G12      | 113     | V <sub>SS</sub>                                      | S        |                    |       |  |                      |
| -          | -       | -       | 95      | H13      | 114     | V <sub>DD</sub>                                      | S        |                    |       |  |                      |
| 37         | F3      | 63      | 96      | H15      | 115     | PC6  | I/O      | FT                 |       | I2S2_MCK /<br>TIM8_CH1/SDIO_D6 /<br>USART6_TX /<br>DCMI_D0/TIM3_CH1/<br>EVENTOUT |                      |
| 38         | E1      | 64      | 97      | G15      | 116     | PC7  | I/O      | FT                 |       | I2S3_MCK /<br>TIM8_CH2/SDIO_D7 /<br>USART6_RX /<br>DCMI_D1/TIM3_CH2/<br>EVENTOUT |                      |
| 39         | E2      | 65      | 98      | G14      | 117     | PC8  | I/O      | FT                 |       | TIM8_CH3/SDIO_D0<br>/TIM3_CH3/ USART6_CK<br>/ DCMI_D2/ EVENTOUT                  |                      |

Table 7. STM32F40x pin and ball definitions (continued)

| Pin number |         |         |         |          |         | Pin name<br>(function after<br>reset) <sup>(1)</sup> | Pin type | I / O structure | Notes | Alternate functions   | Additional functions |
|------------|---------|---------|---------|----------|---------|--|----------|-----------------|-------|---|----------------------|
| LQFP64     | WLCSP90 | LQFP100 | LQFP144 | UFBGA176 | LQFP176 |  |          |                 |       |   |                      |
| 40         | E3      | 66      | 99      | F14      | 118     | PC9  | I/O      | FT              |       | I2S_CKIN/ MCO2 /<br>TIM8_CH4/SDIO_D1 /<br>/I2C3_SDA / DCMI_D3 /<br>TIM3_CH4/ EVENTOUT |                      |
| 41         | D1      | 67      | 100     | F15      | 119     | PA8  | I/O      | FT              |       | MCO1 / USART1_CK/<br>TIM1_CH1/ I2C3_SCL/<br>OTG_FS_SOF/<br>EVENTOUT                   |                      |
| 42         | D2      | 68      | 101     | E15      | 120     | PA9  | I/O      | FT              |       | USART1_TX/ TIM1_CH2 /<br>I2C3_SMBA / DCMI_D0/<br>EVENTOUT                             | OTG_FS_VBUS          |
| 43         | D3      | 69      | 102     | D15      | 121     | PA10   | I/O      | FT              |       | USART1_RX/ TIM1_CH3/<br>OTG_FS_ID/DCMI_D1/<br>EVENTOUT                                |                      |
| 44         | C1      | 70      | 103     | C15      | 122     | PA11   | I/O      | FT              |       | USART1_CTS/ CAN1_RX<br>/ TIM1_CH4 /<br>OTG_FS_DM/<br>EVENTOUT                         |                      |
| 45         | C2      | 71      | 104     | B15      | 123     | PA12   | I/O      | FT              |       | USART1_RTS /<br>CAN1_TX/ TIM1_ETR/<br>OTG_FS_DP/<br>EVENTOUT                          |                      |
| 46         | D4      | 72      | 105     | A15      | 124     | PA13<br>(JTMS-SWDIO)                                 | I/O      | FT              |       | JTMS-SWDIO/<br>EVENTOUT   |                      |
| 47         | B1      | 73      | 106     | F13      | 125     | V <sub>CAP_2</sub>                                   | S        |                 |       |   |                      |
| -          | E7      | 74      | 107     | F12      | 126     | V <sub>SS</sub>                                      | S        |                 |       |   |                      |
| 48         | E6      | 75      | 108     | G13      | 127     | V <sub>DD</sub>                                      | S        |                 |       |   |                      |
| -          | -       | -       | -       | E12      | 128     | PH13   | I/O      | FT              |       | TIM8_CH1N / CAN1_TX/<br>EVENTOUT  |                      |
| -          | -       | -       | -       | E13      | 129     | PH14   | I/O      | FT              |       | TIM8_CH2N / DCMI_D4/<br>EVENTOUT  |                      |
| -          | -       | -       | -       | D13      | 130     | PH15   | I/O      | FT              |       | TIM8_CH3N / DCMI_D11/<br>EVENTOUT   |                      |
| -          | C3      | -       | -       | E14      | 131     | PI0  | I/O      | FT              |       | TIM5_CH4 / SPI2_NSS /<br>I2S2_WS / DCMI_D13/<br>EVENTOUT                              |                      |

Table 7. STM32F40x pin and ball definitions (continued)

| Pin number |         |         |         |          |         | Pin name<br>(function after<br>reset) <sup>(1)</sup> | Pin type | I / O structure | Notes | Alternate functions   | Additional functions |
|------------|---------|---------|---------|----------|---------|--|----------|-----------------|-------|---|----------------------|
| LQFP64     | WLCSP90 | LQFP100 | LQFP144 | UFBGA176 | LQFP176 |  |          |                 |       |   |                      |
| -          | B2      | -       | -       | D14      | 132     | PI1  | I/O      | FT              |       | SPI2_SCK / I2S2_CK /<br>DCMI_D8/ EVENTOUT   |                      |
| -          | -       | -       | -       | C14      | 133     | PI2  | I/O      | FT              |       | TIM8_CH4 /SPI2_MISO /<br>DCMI_D9 / I2S2ext_SD/<br>EVENTOUT                        |                      |
| -          | -       | -       | -       | C13      | 134     | PI3  | I/O      | FT              |       | TIM8_ETR / SPI2_MOSI /<br>I2S2_SD / DCMI_D10/<br>EVENTOUT                         |                      |
| -          | -       | -       | -       | D9       | 135     | V <sub>SS</sub>                                      | S        |                 |       |   |                      |
| -          | -       | -       | -       | C9       | 136     | V <sub>DD</sub>                                      | S        |                 |       |   |                      |
| 49         | A2      | 76      | 109     | A14      | 137     | PA14<br>(JTCK/SWCLK)                                 | I/O      | FT              |       | JTCK-SWCLK/<br>EVENTOUT   |                      |
| 50         | B3      | 77      | 110     | A13      | 138     | PA15<br>(JTDI)                                       | I/O      | FT              |       | JTDI/ SPI3_NSS/<br>I2S3_WS/TIM2_CH1_ET<br>R / SPI1_NSS /<br>EVENTOUT              |                      |
| 51         | D5      | 78      | 111     | B14      | 139     | PC10   | I/O      | FT              |       | SPI3_SCK / I2S3_CK/<br>UART4_TX/SDIO_D2 /<br>DCMI_D8 / USART3_TX/<br>EVENTOUT     |                      |
| 52         | C4      | 79      | 112     | B13      | 140     | PC11   | I/O      | FT              |       | UART4_RX/ SPI3_MISO /<br>SDIO_D3 /<br>DCMI_D4/USART3_RX /<br>I2S3ext_SD/ EVENTOUT |                      |
| 53         | A3      | 80      | 113     | A12      | 141     | PC12   | I/O      | FT              |       | UART5_TX/SDIO_CK /<br>DCMI_D9 / SPI3_MOSI<br>/I2S3_SD / USART3_CK/<br>EVENTOUT    |                      |
| -          | D6      | 81      | 114     | B12      | 142     | PD0  | I/O      | FT              |       | FSMC_D2/CAN1_RX/<br>EVENTOUT  |                      |
| -          | C5      | 82      | 115     | C12      | 143     | PD1  | I/O      | FT              |       | FSMC_D3 / CAN1_TX/<br>EVENTOUT  |                      |
| 54         | B4      | 83      | 116     | D12      | 144     | PD2  | I/O      | FT              |       | TIM3_ETR/UART5_RX/<br>SDIO_CMD / DCMI_D11/<br>EVENTOUT                            |                      |

Table 7. STM32F40x pin and ball definitions (continued)

| Pin number |         |         |         |          |         | Pin name<br>(function after<br>reset) <sup>(1)</sup> | Pin type | I / O structure | Notes | Alternate functions  | Additional functions |
|------------|---------|---------|---------|----------|---------|--|----------|-----------------|-------|--|----------------------|
| LQFP64     | WLCSP90 | LQFP100 | LQFP144 | UFBGA176 | LQFP176 |  |          |                 |       |  |                      |
| -          | -       | 84      | 117     | D11      | 145     | PD3  | I/O      | FT              |       | FSMC_CLK/<br>USART2_CTS/<br>EVENTOUT                                     |                      |
| -          | A4      | 85      | 118     | D10      | 146     | PD4  | I/O      | FT              |       | FSMC_NOE/<br>USART2_RTS/<br>EVENTOUT                                     |                      |
| -          | C6      | 86      | 119     | C11      | 147     | PD5  | I/O      | FT              |       | FSMC_NWE/USART2_TX<br>/ EVENTOUT   |                      |
| -          | -       | -       | 120     | D8       | 148     | V <sub>SS</sub>                                      | S        |                 |       |  |                      |
| -          | -       | -       | 121     | C8       | 149     | V <sub>DD</sub>                                      | S        |                 |       |  |                      |
| -          | B5      | 87      | 122     | B11      | 150     | PD6  | I/O      | FT              |       | FSMC_NWAIT/<br>USART2_RX/ EVENTOUT                                       |                      |
| -          | A5      | 88      | 123     | A11      | 151     | PD7  | I/O      | FT              |       | USART2_CK/FSMC_NE1/<br>FSMC_NCE2/<br>EVENTOUT                            |                      |
| -          | -       | -       | 124     | C10      | 152     | PG9  | I/O      | FT              |       | USART6_RX /<br>FSMC_NE2/FSMC_NCE3<br>/ EVENTOUT                          |                      |
| -          | -       | -       | 125     | B10      | 153     | PG10   | I/O      | FT              |       | FSMC_NCE4_1/<br>FSMC_NE3/ EVENTOUT                                       |                      |
| -          | -       | -       | 126     | B9       | 154     | PG11   | I/O      | FT              |       | FSMC_NCE4_2 /<br>ETH_MII_TX_EN/<br>ETH_RMII_TX_EN/<br>EVENTOUT           |                      |
| -          | -       | -       | 127     | B8       | 155     | PG12   | I/O      | FT              |       | FSMC_NE4 /<br>USART6_RTS/<br>EVENTOUT                                    |                      |
| -          | -       | -       | 128     | A8       | 156     | PG13   | I/O      | FT              |       | FSMC_A24 /<br>USART6_CTS<br>/ETH_MII_TXD0/<br>ETH_RMII_TXD0/<br>EVENTOUT |                      |
| -          | -       | -       | 129     | A7       | 157     | PG14   | I/O      | FT              |       | FSMC_A25 / USART6_TX<br>/ETH_MII_TXD1/<br>ETH_RMII_TXD1/<br>EVENTOUT     |                      |



Table 7. STM32F40x pin and ball definitions (continued)

| Pin number |         |         |         |          |         | Pin name<br>(function after<br>reset) <sup>(1)</sup> | Pin type | I / O structure | Notes | Alternate functions  | Additional functions |
|------------|---------|---------|---------|----------|---------|--|----------|-----------------|-------|--|----------------------|
| LQFP64     | WLCSP90 | LQFP100 | LQFP144 | UFBGA176 | LQFP176 |  |          |                 |       |  |                      |
| -          | E8      | -       | 130     | D7       | 158     | V <sub>SS</sub>                                      | S        |                 |       |  |                      |
| -          | F7      | -       | 131     | C7       | 159     | V <sub>DD</sub>                                      | S        |                 |       |  |                      |
| -          | -       | -       | 132     | B7       | 160     | PG15   | I/O      | FT              |       | USART6_CTS /<br>DCMI_D13/ EVENTOUT   |                      |
| 55         | B6      | 89      | 133     | A10      | 161     | PB3<br>(JTDO/<br>TRACESWO)                           | I/O      | FT              |       | JTDO/ TRACESWO/<br>SPI3_SCK / I2S3_CK /<br>TIM2_CH2 / SPI1_SCK/<br>EVENTOUT  |                      |
| 56         | A6      | 90      | 134     | A9       | 162     | PB4<br>(NJTRST)                                      | I/O      | FT              |       | NJTRST/ SPI3_MISO /<br>TIM3_CH1 / SPI1_MISO /<br>I2S3ext_SD/ EVENTOUT  |                      |
| 57         | D7      | 91      | 135     | A6       | 163     | PB5  | I/O      | FT              |       | I2C1_SMBA/ CAN2_RX /<br>OTG_HS_ULPI_D7 /<br>ETH_PPS_OUT/TIM3_CH<br>2 / SPI1_MOSI/<br>SPI3_MOSI / DCMI_D10 /<br>I2S3_SD/ EVENTOUT |                      |
| 58         | C7      | 92      | 136     | B6       | 164     | PB6  | I/O      | FT              |       | I2C1_SCL/ TIM4_CH1 /<br>CAN2_TX /<br>DCMI_D5/USART1_TX/<br>EVENTOUT  |                      |
| 59         | B7      | 93      | 137     | B5       | 165     | PB7  | I/O      | FT              |       | I2C1_SDA / FSMC_NL /<br>DCMI_VSYNC /<br>USART1_RX/ TIM4_CH2/<br>EVENTOUT   |                      |
| 60         | A7      | 94      | 138     | D6       | 166     | BOOT0  | I        | B               |       |  | V <sub>PP</sub>      |
| 61         | D8      | 95      | 139     | A5       | 167     | PB8  | I/O      | FT              |       | TIM4_CH3/SDIO_D4/<br>TIM10_CH1 / DCMI_D6 /<br>ETH_MII_TXD3 /<br>I2C1_SCL/ CAN1_RX/<br>EVENTOUT                                   |                      |
| 62         | C8      | 96      | 140     | B4       | 168     | PB9  | I/O      | FT              |       | SPI2_NSS/ I2S2_WS /<br>TIM4_CH4/ TIM11_CH1/<br>SDIO_D5 / DCMI_D7 /<br>I2C1_SDA / CAN1_TX/<br>EVENTOUT                            |                      |

Table 7. STM32F40x pin and ball definitions (continued)

| Pin number |         |         |         |          |         | Pin name<br>(function after<br>reset) <sup>(1)</sup> | Pin type | I / O structure | Notes | Alternate functions                      | Additional functions |
|------------|---------|---------|---------|----------|---------|--|----------|-----------------|-------|--|----------------------|
| LQFP64     | WLCSP90 | LQFP100 | LQFP144 | UFBGA176 | LQFP176 |  |          |                 |       |  |                      |
| -          | -       | 97      | 141     | A4       | 169     | PE0  | I/O      | FT              |       | TIM4_ETR / FSMC_NBL0 / DCMI_D2/ EVENTOUT |                      |
| -          | -       | 98      | 142     | A3       | 170     | PE1  | I/O      | FT              |       | FSMC_NBL1 / DCMI_D3/ EVENTOUT            |                      |
| 63         | -       | 99      | -       | D5       | -       | V <sub>SS</sub>                                      | S        |                 |       |  |                      |
| -          | A8      | -       | 143     | C6       | 171     | PDR_ON   | I        | FT              |       |  |                      |
| 64         | A1      | 100     | 144     | C5       | 172     | V <sub>DD</sub>                                      | S        |                 |       |  |                      |
| -          | -       | -       | -       | D4       | 173     | PI4  | I/O      | FT              |       | TIM8_BKIN / DCMI_D5/ EVENTOUT            |                      |
| -          | -       | -       | -       | C4       | 174     | PI5  | I/O      | FT              |       | TIM8_CH1 / DCMI_VSYNC/ EVENTOUT          |                      |
| -          | -       | -       | -       | C3       | 175     | PI6  | I/O      | FT              |       | TIM8_CH2 / DCMI_D6/ EVENTOUT             |                      |
| -          | -       | -       | -       | C2       | 176     | PI7  | I/O      | FT              |       | TIM8_CH3 / DCMI_D7/ EVENTOUT             |                      |

- Function availability depends on the chosen device.
- PC13, PC14, PC15 and PI8 are supplied through the power switch. Since the switch only sinks a limited amount of current (3 mA), the use of GPIOs PC13 to PC15 and PI8 in output mode is limited:
  - The speed should not exceed 2 MHz with a maximum load of 30 pF.
  - These I/Os must not be used as a current source (e.g. to drive an LED).
- Main function after the first backup domain power-up. Later on, it depends on the contents of the RTC registers even after reset (because these registers are not reset by the main reset). For details on how to manage these I/Os, refer to the RTC register description sections in the STM32F4xx reference manual, available from the STMicroelectronics website: [www.st.com](http://www.st.com).
- FT = 5 V tolerant except when in analog mode or oscillator mode (for PC14, PC15, PH0 and PH1).
- If the device is delivered in an UFBGA176 or WLCSP90 and the BYPASS\_REG pin is set to VDD (Regulator off/internal reset ON mode), then PA0 is used as an internal Reset (active low).

Table 8. FSMC pin definition

| Pins <sup>(1)</sup> | FSMC |                 |               |             | LQFP100 <sup>(2)</sup> | WLCSP90 <sup>(2)</sup> |
|---------------------|------|-----------------|---------------|-------------|------------------------|------------------------|
|                     | CF   | NOR/PSRAM/ SRAM | NOR/PSRAM Mux | NAND 16 bit |                        |                        |
| PE2                 |      | A23             | A23           |             | Yes                    |                        |
| PE3                 |      | A19             | A19           |             | Yes                    |                        |

Table 8. FSMC pin definition (continued)

| Pins <sup>(1)</sup> | FSMC  |                    |               |             | LQFP100 <sup>(2)</sup> | WLCSP90 <sup>(2)</sup> |
|---------------------|-------|--------------------|---------------|-------------|------------------------|------------------------|
|                     | CF    | NOR/PSRAM/<br>SRAM | NOR/PSRAM Mux | NAND 16 bit |                        |                        |
| PE4                 |       | A20                | A20           |             | Yes                    |                        |
| PE5                 |       | A21                | A21           |             | Yes                    |                        |
| PE6                 |       | A22                | A22           |             | Yes                    |                        |
| PF0                 | A0    | A0                 |               |             | -                      | -                      |
| PF1                 | A1    | A1                 |               |             | -                      | -                      |
| PF2                 | A2    | A2                 |               |             | -                      | -                      |
| PF3                 | A3    | A3                 |               |             | -                      | -                      |
| PF4                 | A4    | A4                 |               |             | -                      | -                      |
| PF5                 | A5    | A5                 |               |             | -                      | -                      |
| PF6                 | NIORD |                    |               |             | -                      | -                      |
| PF7                 | NREG  |                    |               |             | -                      | -                      |
| PF8                 | NIOWR |                    |               |             | -                      | -                      |
| PF9                 | CD    |                    |               |             | -                      | -                      |
| PF10                | INTR  |                    |               |             | -                      | -                      |
| PF12                | A6    | A6                 |               |             | -                      | -                      |
| PF13                | A7    | A7                 |               |             | -                      | -                      |
| PF14                | A8    | A8                 |               |             | -                      | -                      |
| PF15                | A9    | A9                 |               |             | -                      | -                      |
| PG0                 | A10   | A10                |               |             | -                      | -                      |
| PG1                 |       | A11                |               |             | -                      | -                      |
| PE7                 | D4    | D4                 | DA4           | D4          | Yes                    | Yes                    |
| PE8                 | D5    | D5                 | DA5           | D5          | Yes                    | Yes                    |
| PE9                 | D6    | D6                 | DA6           | D6          | Yes                    | Yes                    |
| PE10                | D7    | D7                 | DA7           | D7          | Yes                    | Yes                    |
| PE11                | D8    | D8                 | DA8           | D8          | Yes                    | Yes                    |
| PE12                | D9    | D9                 | DA9           | D9          | Yes                    | Yes                    |
| PE13                | D10   | D10                | DA10          | D10         | Yes                    | Yes                    |
| PE14                | D11   | D11                | DA11          | D11         | Yes                    | Yes                    |
| PE15                | D12   | D12                | DA12          | D12         | Yes                    | Yes                    |
| PD8                 | D13   | D13                | DA13          | D13         | Yes                    | Yes                    |
| PD9                 | D14   | D14                | DA14          | D14         | Yes                    | Yes                    |
| PD10                | D15   | D15                | DA15          | D15         | Yes                    | Yes                    |
| PD11                |       | A16                | A16           | CLE         | Yes                    | Yes                    |

Table 8. FSMC pin definition (continued)

| Pins <sup>(1)</sup> | FSMC   |                    |               |             | LQFP100 <sup>(2)</sup> | WLCSP90 <sup>(2)</sup> |
|---------------------|--------|--------------------|---------------|-------------|------------------------|------------------------|
|                     | CF     | NOR/PSRAM/<br>SRAM | NOR/PSRAM Mux | NAND 16 bit |                        |                        |
| PD12                |        | A17                | A17           | ALE         | Yes                    | Yes                    |
| PD13                |        | A18                | A18           |             | Yes                    |                        |
| PD14                | D0     | D0                 | DA0           | D0          | Yes                    | Yes                    |
| PD15                | D1     | D1                 | DA1           | D1          | Yes                    | Yes                    |
| PG2                 |        | A12                |               |             | -                      | -                      |
| PG3                 |        | A13                |               |             | -                      | -                      |
| PG4                 |        | A14                |               |             | -                      | -                      |
| PG5                 |        | A15                |               |             | -                      | -                      |
| PG6                 |        |                    |               | INT2        | -                      | -                      |
| PG7                 |        |                    |               | INT3        | -                      | -                      |
| PD0                 | D2     | D2                 | DA2           | D2          | Yes                    | Yes                    |
| PD1                 | D3     | D3                 | DA3           | D3          | Yes                    | Yes                    |
| PD3                 |        | CLK                | CLK           |             | Yes                    |                        |
| PD4                 | NOE    | NOE                | NOE           | NOE         | Yes                    | Yes                    |
| PD5                 | NWE    | NWE                | NWE           | NWE         | Yes                    | Yes                    |
| PD6                 | NWAIT  | NWAIT              | NWAIT         | NWAIT       | Yes                    | Yes                    |
| PD7                 |        | NE1                | NE1           | NCE2        | Yes                    | Yes                    |
| PG9                 |        | NE2                | NE2           | NCE3        | -                      | -                      |
| PG10                | NCE4_1 | NE3                | NE3           |             | -                      | -                      |
| PG11                | NCE4_2 |                    |               |             | -                      | -                      |
| PG12                |        | NE4                | NE4           |             | -                      | -                      |
| PG13                |        | A24                | A24           |             | -                      | -                      |
| PG14                |        | A25                | A25           |             | -                      | -                      |
| PB7                 |        | NADV               | NADV          |             | Yes                    | Yes                    |
| PE0                 |        | NBL0               | NBL0          |             | Yes                    |                        |
| PE1                 |        | NBL1               | NBL1          |             | Yes                    |                        |

1. Full FSMC features are available on LQFP144, LQFP176, and UFBGA176. The features available on smaller packages are given in the dedicated package column.
2. Ports F and G are not available in devices delivered in 100-pin packages.



Table 9. Alternate function mapping

| Port   | AF0  | AF1                  | AF2          | AF3          | AF4       | AF5                    | AF6                  | AF7                 | AF8            | AF9                   | AF10          | AF11           | AF12             | AF13                               | AF14        | AF15     |
|--------|------|----------------------|--------------|--------------|-----------|------------------------|----------------------|---------------------|----------------|-----------------------|---------------|----------------|------------------|------------------------------------|-------------|----------|
|        | SYS  | TIM1/2               | TIM3/4/5     | TIM8/9/10/11 | I2C1/2/3  | SPI1/SPI2/I2S2/I2S2ext | SPI3/I2Sext/I2S3     | USART1/2/3/I2S3ext  | UART4/5/USART6 | CAN1/CAN2/TIM12/13/14 | OTG_FS/OTG_HS | ETH            | FSMC/SDIO/OTG_FS | DCMI                               |             |          |
| Port A | PA0  |                      | TIM2_CH1_ETR | TIM5_CH1     | TIM8_ETR  |                        |                      |                     | USART2_CTS     | UART4_TX              |               |                |                  | ETH_MII_CRS                        |             | EVENTOUT |
|        | PA1  |                      | TIM2_CH2     | TIM5_CH2     |           |                        |                      |                     | USART2_RTS     | UART4_RX              |               |                |                  | ETH_MII_RX_CLK<br>ETH_RMII_REF_CLK |             | EVENTOUT |
|        | PA2  |                      | TIM2_CH3     | TIM5_CH3     | TIM9_CH1  |                        |                      |                     | USART2_TX      |                       |               |                |                  | ETH_MDIO                           |             | EVENTOUT |
|        | PA3  |                      | TIM2_CH4     | TIM5_CH4     | TIM9_CH2  |                        |                      |                     | USART2_RX      |                       |               | OTG_HS_ULPI_D0 |                  | ETH_MII_COL                        |             | EVENTOUT |
|        | PA4  |                      |              |              |           |                        | SPI1_NSS             | SPI3_NSS<br>I2S3_WS | USART2_CK      |                       |               |                |                  | OTG_HS_SOF                         | DCMI_HSYN_C | EVENTOUT |
|        | PA5  |                      | TIM2_CH1_ETR |              | TIM8_CH1N |                        | SPI1_SCK             |                     |                |                       |               | OTG_HS_ULPI_CK |                  |                                    |             | EVENTOUT |
|        | PA6  |                      | TIM1_BKIN    | TIM3_CH1     | TIM8_BKIN |                        | SPI1_MISO            |                     |                |                       | TIM13_CH1     |                |                  |                                    | DCMI_PIXCK  | EVENTOUT |
|        | PA7  |                      | TIM1_CH1N    | TIM3_CH2     | TIM8_CH1N |                        | SPI1_MOSI            |                     |                |                       | TIM14_CH1     |                |                  | ETH_MII_RX_DV<br>ETH_RMII_CRS_DV   |             | EVENTOUT |
|        | PA8  | MCO1                 | TIM1_CH1     |              |           | I2C3_SCL               |                      |                     | USART1_CK      |                       |               | OTG_FS_SOF     |                  |                                    |             | EVENTOUT |
|        | PA9  |                      | TIM1_CH2     |              |           | I2C3_SMB_A             |                      |                     | USART1_TX      |                       |               |                |                  |                                    | DCMI_D0     | EVENTOUT |
|        | PA10 |                      | TIM1_CH3     |              |           |                        |                      |                     | USART1_RX      |                       |               | OTG_FS_ID      |                  |                                    | DCMI_D1     | EVENTOUT |
|        | PA11 |                      | TIM1_CH4     |              |           |                        |                      |                     | USART1_CTS     |                       | CAN1_RX       | OTG_FS_DM      |                  |                                    |             | EVENTOUT |
|        | PA12 |                      | TIM1_ETR     |              |           |                        |                      |                     | USART1_RTS     |                       | CAN1_TX       | OTG_FS_DP      |                  |                                    |             | EVENTOUT |
|        | PA13 | JTMS-SWDIO           |              |              |           |                        |                      |                     |                |                       |               |                |                  |                                    |             | EVENTOUT |
|        | PA14 | JTCK-SWCLK           |              |              |           |                        |                      |                     |                |                       |               |                |                  |                                    |             | EVENTOUT |
| PA15   | JTDI | TIM2_CH1<br>TIM2_ETR |              |              |           | SPI1_NSS               | SPI3_NSS/<br>I2S3_WS |                     |                |                       |               |                |                  |                                    | EVENTOUT    |          |



Table 9. Alternate function mapping (continued)

| Port   | AF0       | AF1            | AF2       | AF3          | AF4       | AF5                    | AF6              | AF7                | AF8            | AF9                   | AF10          | AF11           | AF12                         | AF13      | AF14        | AF15     |          |
|--------|-----------|----------------|-----------|--------------|-----------|------------------------|------------------|--------------------|----------------|-----------------------|---------------|----------------|------------------------------|-----------|-------------|----------|----------|
|        | SYS       | TIM1/2         | TIM3/4/5  | TIM8/9/10/11 | I2C1/2/3  | SPI1/SPI2/I2S2/I2S2ext | SPI3/I2Sext/I2S3 | USART1/2/3/I2S3ext | UART4/5/USART6 | CAN1/CAN2/TIM12/13/14 | OTG_FS/OTG_HS | ETH            | FSMC/SDIO/OTG_FS             | DCMI      |             |          |          |
| Port B | PB0       |                | TIM1_CH2N | TIM3_CH3     | TIM8_CH2N |                        |                  |                    |                |                       |               | OTG_HS_ULPI_D1 | ETH_MII_RXD2                 |           |             | EVENTOUT |          |
|        | PB1       |                | TIM1_CH3N | TIM3_CH4     | TIM8_CH3N |                        |                  |                    |                |                       |               | OTG_HS_ULPI_D2 | ETH_MII_RXD3                 |           |             | EVENTOUT |          |
|        | PB2       |                |           |              |           |                        |                  |                    |                |                       |               |                |                              |           |             | EVENTOUT |          |
|        | PB3       | JTDO/TRACES WO | TIM2_CH2  |              |           |                        | SPI1_SCK         | SPI3_SCK I2S3_CK   |                |                       |               |                |                              |           |             |          | EVENTOUT |
|        | PB4       | NJTRST         |           | TIM3_CH1     |           |                        | SPI1_MISO        | SPI3_MISO          | I2S3ext_SD     |                       |               |                |                              |           |             |          | EVENTOUT |
|        | PB5       |                |           | TIM3_CH2     |           | I2C1_SMB_A             | SPI1_MOSI        | SPI3_MOSI I2S3_SD  |                |                       | CAN2_RX       | OTG_HS_ULPI_D7 | ETH_PPS_OUT                  |           | DCMI_D10    |          | EVENTOUT |
|        | PB6       |                |           | TIM4_CH1     |           | I2C1_SCL               |                  |                    | USART1_TX      |                       | CAN2_TX       |                |                              |           | DCMI_D5     |          | EVENTOUT |
|        | PB7       |                |           | TIM4_CH2     |           | I2C1_SDA               |                  |                    | USART1_RX      |                       |               |                |                              | FSMC_NL   | DCMI_VSYN_C |          | EVENTOUT |
|        | PB8       |                |           | TIM4_CH3     | TIM10_CH1 | I2C1_SCL               |                  |                    |                |                       | CAN1_RX       |                | ETH_MII_TXD3                 | SDIO_D4   | DCMI_D6     |          | EVENTOUT |
|        | PB9       |                |           | TIM4_CH4     | TIM11_CH1 | I2C1_SDA               | SPI2_NSS I2S2_WS |                    |                |                       | CAN1_TX       |                |                              | SDIO_D5   | DCMI_D7     |          | EVENTOUT |
|        | PB10      |                | TIM2_CH3  |              |           | I2C2_SCL               | SPI2_SCK I2S2_CK |                    | USART3_TX      |                       |               | OTG_HS_ULPI_D3 | ETH_MII_RX_ER                |           |             |          | EVENTOUT |
|        | PB11      |                | TIM2_CH4  |              |           | I2C2_SDA               |                  |                    | USART3_RX      |                       |               | OTG_HS_ULPI_D4 | ETH_MII_TX_EN ETH_RMII_TX_EN |           |             |          | EVENTOUT |
|        | PB12      |                | TIM1_BKIN |              |           | I2C2_SMB_A             | SPI2_NSS I2S2_WS |                    | USART3_CK      |                       | CAN2_RX       | OTG_HS_ULPI_D5 | ETH_MII_TXD0 ETH_RMII_TXD0   | OTG_HS_ID |             |          | EVENTOUT |
|        | PB13      |                | TIM1_CH1N |              |           |                        | SPI2_SCK I2S2_CK |                    | USART3_CTS     |                       | CAN2_TX       | OTG_HS_ULPI_D6 | ETH_MII_TXD1 ETH_RMII_TXD1   |           |             |          | EVENTOUT |
|        | PB14      |                | TIM1_CH2N |              | TIM8_CH2N |                        | SPI2_MISO        | I2S2ext_SD         | USART3_RTS     |                       |               | TIM12_CH1      |                              |           | OTG_HS_DM   |          | EVENTOUT |
| PB15   | RTC_REFIN | TIM1_CH3N      |           | TIM8_CH3N    |           | SPI2_MOSI I2S2_SD      |                  |                    |                |                       | TIM12_CH2     |                |                              | OTG_HS_DP |             | EVENTOUT |          |



Table 9. Alternate function mapping (continued)

| Port   | AF0  | AF1    | AF2      | AF3          | AF4      | AF5                        | AF6                  | AF7                    | AF8                   | AF9                           | AF10                | AF11                          | AF12                 | AF13    | AF14    | AF15     |          |
|--------|------|--------|----------|--------------|----------|----------------------------|----------------------|------------------------|-----------------------|-------------------------------|---------------------|-------------------------------|----------------------|---------|---------|----------|----------|
|        | SYS  | TIM1/2 | TIM3/4/5 | TIM8/9/10/11 | I2C1/2/3 | SPI1/SPI2/<br>I2S2/I2S2ext | SPI3/I2Sext/<br>I2S3 | USART1/2/3/<br>I2S3ext | UART4/5/<br>USART6    | CAN1/<br>CAN2/<br>TIM12/13/14 | OTG_FS/<br>OTG_HS   | ETH                           | FSMC/SDIO/<br>OTG_FS | DCMI    |         |          |          |
| Port C | PC0  |        |          |              |          |                            |                      |                        |                       |                               | OTG_HS_ULPI_<br>STP |                               |                      |         |         | EVENTOUT |          |
|        | PC1  |        |          |              |          |                            |                      |                        |                       |                               |                     | ETH_MDC                       |                      |         |         | EVENTOUT |          |
|        | PC2  |        |          |              |          |                            | SPI2_MISO            | I2S2ext_SD             |                       |                               |                     | OTG_HS_ULPI_<br>DIR           | ETH_MII_TXD2         |         |         | EVENTOUT |          |
|        | PC3  |        |          |              |          |                            | SPI2_MOSI<br>I2S2_SD |                        |                       |                               |                     | OTG_HS_ULPI_<br>NXT           | ETH_MII_TX_CLK       |         |         | EVENTOUT |          |
|        | PC4  |        |          |              |          |                            |                      |                        |                       |                               |                     | ETH_MII_RXD0<br>ETH_RMII_RXD0 |                      |         |         | EVENTOUT |          |
|        | PC5  |        |          |              |          |                            |                      |                        |                       |                               |                     | ETH_MII_RXD1<br>ETH_RMII_RXD1 |                      |         |         | EVENTOUT |          |
|        | PC6  |        |          | TIM3_CH1     | TIM8_CH1 |                            | I2S2_MCK             |                        |                       | USART6_TX                     |                     |                               |                      | SDIO_D6 | DCMI_D0 |          | EVENTOUT |
|        | PC7  |        |          | TIM3_CH2     | TIM8_CH2 |                            |                      | I2S3_MCK               |                       | USART6_RX                     |                     |                               |                      | SDIO_D7 | DCMI_D1 |          | EVENTOUT |
|        | PC8  |        |          | TIM3_CH3     | TIM8_CH3 |                            |                      |                        |                       | USART6_CK                     |                     |                               |                      | SDIO_D0 | DCMI_D2 |          | EVENTOUT |
|        | PC9  | MCO2   |          | TIM3_CH4     | TIM8_CH4 | I2C3_SDA                   | I2S_CKIN             |                        |                       |                               |                     |                               |                      | SDIO_D1 | DCMI_D3 |          | EVENTOUT |
|        | PC10 |        |          |              |          |                            |                      | SPI3_SCK/<br>I2S3_CK   | USART3_TX/<br>I2S3ext | UART4_TX                      |                     |                               |                      | SDIO_D2 | DCMI_D8 |          | EVENTOUT |
|        | PC11 |        |          |              |          |                            | I2S3ext_SD           | SPI3_MISO/<br>I2S3ext  | USART3_RX             | UART4_RX                      |                     |                               |                      | SDIO_D3 | DCMI_D4 |          | EVENTOUT |
|        | PC12 |        |          |              |          |                            |                      | SPI3_MOSI<br>I2S3_SD   | USART3_CK             | UART5_TX                      |                     |                               |                      | SDIO_CK | DCMI_D9 |          | EVENTOUT |
|        | PC13 |        |          |              |          |                            |                      |                        |                       |                               |                     |                               |                      |         |         |          | EVENTOUT |
|        | PC14 |        |          |              |          |                            |                      |                        |                       |                               |                     |                               |                      |         |         |          | EVENTOUT |
| PC15   |      |        |          |              |          |                            |                      |                        |                       |                               |                     |                               |                      |         |         | EVENTOUT |          |



Table 9. Alternate function mapping (continued)

| Port   | AF0  | AF1    | AF2      | AF3          | AF4      | AF5                    | AF6              | AF7                | AF8            | AF9                   | AF10          | AF11 | AF12                   | AF13     | AF14 | AF15     |
|--------|------|--------|----------|--------------|----------|------------------------|------------------|--------------------|----------------|-----------------------|---------------|------|------------------------|----------|------|----------|
|        | SYS  | TIM1/2 | TIM3/4/5 | TIM8/9/10/11 | I2C1/2/3 | SPI1/SPI2/I2S2/I2S2ext | SPI3/I2Sext/I2S3 | USART1/2/3/I2S3ext | UART4/5/USART6 | CAN1/CAN2/TIM12/13/14 | OTG_FS/OTG_HS | ETH  | FSMC/SDIO/OTG_FS       | DCMI     |      |          |
| Port D | PD0  |        |          |              |          |                        |                  |                    |                | CAN1_RX               |               |      | FSMC_D2                |          |      | EVENTOUT |
|        | PD1  |        |          |              |          |                        |                  |                    |                | CAN1_TX               |               |      | FSMC_D3                |          |      | EVENTOUT |
|        | PD2  |        |          | TIM3_ETR     |          |                        |                  |                    |                | UART5_RX              |               |      | SDIO_CMD               | DCMI_D11 |      | EVENTOUT |
|        | PD3  |        |          |              |          |                        |                  | USART2_CTS         |                |                       |               |      | FSMC_CLK               |          |      | EVENTOUT |
|        | PD4  |        |          |              |          |                        |                  | USART2_RTS         |                |                       |               |      | FSMC_NOE               |          |      | EVENTOUT |
|        | PD5  |        |          |              |          |                        |                  | USART2_TX          |                |                       |               |      | FSMC_NWE               |          |      | EVENTOUT |
|        | PD6  |        |          |              |          |                        |                  | USART2_RX          |                |                       |               |      | FSMC_NWAIT             |          |      | EVENTOUT |
|        | PD7  |        |          |              |          |                        |                  | USART2_CK          |                |                       |               |      | FSMC_NE1/<br>FSMC_NCE2 |          |      | EVENTOUT |
|        | PD8  |        |          |              |          |                        |                  | USART3_TX          |                |                       |               |      | FSMC_D13               |          |      | EVENTOUT |
|        | PD9  |        |          |              |          |                        |                  | USART3_RX          |                |                       |               |      | FSMC_D14               |          |      | EVENTOUT |
|        | PD10 |        |          |              |          |                        |                  | USART3_CK          |                |                       |               |      | FSMC_D15               |          |      | EVENTOUT |
|        | PD11 |        |          |              |          |                        |                  | USART3_CTS         |                |                       |               |      | FSMC_A16               |          |      | EVENTOUT |
|        | PD12 |        |          | TIM4_CH1     |          |                        |                  | USART3_RTS         |                |                       |               |      | FSMC_A17               |          |      | EVENTOUT |
|        | PD13 |        |          | TIM4_CH2     |          |                        |                  |                    |                |                       |               |      | FSMC_A18               |          |      | EVENTOUT |
|        | PD14 |        |          | TIM4_CH3     |          |                        |                  |                    |                |                       |               |      | FSMC_D0                |          |      | EVENTOUT |
|        | PD15 |        |          | TIM4_CH4     |          |                        |                  |                    |                |                       |               |      | FSMC_D1                |          |      | EVENTOUT |





Table 9. Alternate function mapping (continued)

| Port   | AF0  | AF1      | AF2       | AF3          | AF4      | AF5                    | AF6              | AF7                | AF8            | AF9                   | AF10          | AF11         | AF12             | AF13     | AF14 | AF15     |          |
|--------|------|----------|-----------|--------------|----------|------------------------|------------------|--------------------|----------------|-----------------------|---------------|--------------|------------------|----------|------|----------|----------|
|        | SYS  | TIM1/2   | TIM3/4/5  | TIM8/9/10/11 | I2C1/2/3 | SPI1/SPI2/I2S2/I2S2ext | SPI3/I2Sext/I2S3 | USART1/2/3/I2S3ext | UART4/5/USART6 | CAN1/CAN2/TIM12/13/14 | OTG_FS/OTG_HS | ETH          | FSMC/SDIO/OTG_FS | DCMI     |      |          |          |
| Port E | PE0  |          |           | TIM4_ETR     |          |                        |                  |                    |                |                       |               |              | FSMC_NBL0        | DCMI_D2  |      | EVENTOUT |          |
|        | PE1  |          |           |              |          |                        |                  |                    |                |                       |               |              | FSMC_NBL1        | DCMI_D3  |      | EVENTOUT |          |
|        | PE2  | TRACECLK |           |              |          |                        |                  |                    |                |                       |               | ETH_MII_TXD3 | FSMC_A23         |          |      | EVENTOUT |          |
|        | PE3  | TRACED0  |           |              |          |                        |                  |                    |                |                       |               |              | FSMC_A19         |          |      | EVENTOUT |          |
|        | PE4  | TRACED1  |           |              |          |                        |                  |                    |                |                       |               |              | FSMC_A20         | DCMI_D4  |      | EVENTOUT |          |
|        | PE5  | TRACED2  |           |              |          | TIM9_CH1               |                  |                    |                |                       |               |              | FSMC_A21         | DCMI_D6  |      | EVENTOUT |          |
|        | PE6  | TRACED3  |           |              |          | TIM9_CH2               |                  |                    |                |                       |               |              | FSMC_A22         | DCMI_D7  |      | EVENTOUT |          |
|        | PE7  |          | TIM1_ETR  |              |          |                        |                  |                    |                |                       |               |              |                  | FSMC_D4  |      |          | EVENTOUT |
|        | PE8  |          | TIM1_CH1N |              |          |                        |                  |                    |                |                       |               |              |                  | FSMC_D5  |      |          | EVENTOUT |
|        | PE9  |          | TIM1_CH1  |              |          |                        |                  |                    |                |                       |               |              |                  | FSMC_D6  |      |          | EVENTOUT |
|        | PE10 |          | TIM1_CH2N |              |          |                        |                  |                    |                |                       |               |              |                  | FSMC_D7  |      |          | EVENTOUT |
|        | PE11 |          | TIM1_CH2  |              |          |                        |                  |                    |                |                       |               |              |                  | FSMC_D8  |      |          | EVENTOUT |
|        | PE12 |          | TIM1_CH3N |              |          |                        |                  |                    |                |                       |               |              |                  | FSMC_D9  |      |          | EVENTOUT |
|        | PE13 |          | TIM1_CH3  |              |          |                        |                  |                    |                |                       |               |              |                  | FSMC_D10 |      |          | EVENTOUT |
|        | PE14 |          | TIM1_CH4  |              |          |                        |                  |                    |                |                       |               |              |                  | FSMC_D11 |      |          | EVENTOUT |
|        | PE15 |          | TIM1_BKIN |              |          |                        |                  |                    |                |                       |               |              |                  | FSMC_D12 |      |          | EVENTOUT |



Table 9. Alternate function mapping (continued)

| Port   | AF0  | AF1    | AF2      | AF3          | AF4       | AF5                    | AF6              | AF7                | AF8            | AF9                   | AF10          | AF11 | AF12             | AF13       | AF14     | AF15     |          |
|--------|------|--------|----------|--------------|-----------|------------------------|------------------|--------------------|----------------|-----------------------|---------------|------|------------------|------------|----------|----------|----------|
|        | SYS  | TIM1/2 | TIM3/4/5 | TIM8/9/10/11 | I2C1/2/3  | SPI1/SPI2/I2S2/I2S2ext | SPI3/I2Sext/I2S3 | USART1/2/3/I2S3ext | UART4/5/USART6 | CAN1/CAN2/TIM12/13/14 | OTG_FS/OTG_HS | ETH  | FSMC/SDIO/OTG_FS | DCMI       |          |          |          |
| Port F | PF0  |        |          |              | I2C2_SDA  |                        |                  |                    |                |                       |               |      | FSMC_A0          |            |          | EVENTOUT |          |
|        | PF1  |        |          |              | I2C2_SCL  |                        |                  |                    |                |                       |               |      | FSMC_A1          |            |          | EVENTOUT |          |
|        | PF2  |        |          |              | I2C2_SMBA |                        |                  |                    |                |                       |               |      | FSMC_A2          |            |          | EVENTOUT |          |
|        | PF3  |        |          |              |           |                        |                  |                    |                |                       |               |      | FSMC_A3          |            |          | EVENTOUT |          |
|        | PF4  |        |          |              |           |                        |                  |                    |                |                       |               |      | FSMC_A4          |            |          | EVENTOUT |          |
|        | PF5  |        |          |              |           |                        |                  |                    |                |                       |               |      | FSMC_A5          |            |          | EVENTOUT |          |
|        | PF6  |        |          |              | TIM10_CH1 |                        |                  |                    |                |                       |               |      |                  | FSMC_NIORD |          |          | EVENTOUT |
|        | PF7  |        |          |              | TIM11_CH1 |                        |                  |                    |                |                       |               |      |                  | FSMC_NREG  |          |          | EVENTOUT |
|        | PF8  |        |          |              |           |                        |                  |                    |                | TIM13_CH1             |               |      |                  | FSMC_NIOWR |          |          | EVENTOUT |
|        | PF9  |        |          |              |           |                        |                  |                    |                | TIM14_CH1             |               |      |                  | FSMC_CD    |          |          | EVENTOUT |
|        | PF10 |        |          |              |           |                        |                  |                    |                |                       |               |      |                  | FSMC_INTR  |          |          | EVENTOUT |
|        | PF11 |        |          |              |           |                        |                  |                    |                |                       |               |      |                  |            | DCMI_D12 |          | EVENTOUT |
|        | PF12 |        |          |              |           |                        |                  |                    |                |                       |               |      |                  | FSMC_A6    |          |          | EVENTOUT |
|        | PF13 |        |          |              |           |                        |                  |                    |                |                       |               |      |                  | FSMC_A7    |          |          | EVENTOUT |
|        | PF14 |        |          |              |           |                        |                  |                    |                |                       |               |      |                  | FSMC_A8    |          |          | EVENTOUT |
|        | PF15 |        |          |              |           |                        |                  |                    |                |                       |               |      |                  | FSMC_A9    |          |          | EVENTOUT |



Table 9. Alternate function mapping (continued)

| Port   | AF0  | AF1    | AF2      | AF3          | AF4      | AF5                        | AF6                  | AF7                    | AF8                | AF9                           | AF10              | AF11                            | AF12                          | AF13                      | AF14 | AF15     |          |
|--------|------|--------|----------|--------------|----------|----------------------------|----------------------|------------------------|--------------------|-------------------------------|-------------------|---------------------------------|-------------------------------|---------------------------|------|----------|----------|
|        | SYS  | TIM1/2 | TIM3/4/5 | TIM8/9/10/11 | I2C1/2/3 | SPI1/SPI2/<br>I2S2/I2S2ext | SPI3/I2Sext/<br>I2S3 | USART1/2/3/<br>I2S3ext | UART4/5/<br>USART6 | CAN1/<br>CAN2/<br>TIM12/13/14 | OTG_FS/<br>OTG_HS | ETH                             | FSMC/SDIO/<br>OTG_FS          | DCMI                      |      |          |          |
| Port G | PG0  |        |          |              |          |                            |                      |                        |                    |                               |                   |                                 | FSMC_A10                      |                           |      | EVENTOUT |          |
|        | PG1  |        |          |              |          |                            |                      |                        |                    |                               |                   |                                 | FSMC_A11                      |                           |      | EVENTOUT |          |
|        | PG2  |        |          |              |          |                            |                      |                        |                    |                               |                   |                                 | FSMC_A12                      |                           |      | EVENTOUT |          |
|        | PG3  |        |          |              |          |                            |                      |                        |                    |                               |                   |                                 | FSMC_A13                      |                           |      | EVENTOUT |          |
|        | PG4  |        |          |              |          |                            |                      |                        |                    |                               |                   |                                 | FSMC_A14                      |                           |      | EVENTOUT |          |
|        | PG5  |        |          |              |          |                            |                      |                        |                    |                               |                   |                                 | FSMC_A15                      |                           |      | EVENTOUT |          |
|        | PG6  |        |          |              |          |                            |                      |                        |                    |                               |                   |                                 | FSMC_INT2                     |                           |      | EVENTOUT |          |
|        | PG7  |        |          |              |          |                            |                      |                        | USART6_CK          |                               |                   |                                 |                               | FSMC_INT3                 |      |          | EVENTOUT |
|        | PG8  |        |          |              |          |                            |                      |                        | USART6_RTS         |                               |                   | ETH_PPS_OUT                     |                               |                           |      |          | EVENTOUT |
|        | PG9  |        |          |              |          |                            |                      |                        | USART6_RX          |                               |                   |                                 |                               | FSMC_NE2/<br>FSMC_NCE3    |      |          | EVENTOUT |
|        | PG10 |        |          |              |          |                            |                      |                        |                    |                               |                   |                                 |                               | FSMC_NCE4_1/<br>FSMC_NCE3 |      |          | EVENTOUT |
|        | PG11 |        |          |              |          |                            |                      |                        |                    |                               |                   | ETH_MII_TX_EN<br>ETH_RMII_TX_EN |                               | FSMC_NCE4_2               |      |          | EVENTOUT |
|        | PG12 |        |          |              |          |                            |                      |                        | USART6_RTS         |                               |                   |                                 |                               | FSMC_NE4                  |      |          | EVENTOUT |
|        | PG13 |        |          |              |          |                            |                      |                        | USART6_CTS         |                               |                   |                                 | ETH_MII_TXD0<br>ETH_RMII_TXD0 | FSMC_A24                  |      |          | EVENTOUT |
|        | PG14 |        |          |              |          |                            |                      |                        | USART6_TX          |                               |                   |                                 | ETH_MII_TXD1<br>ETH_RMII_TXD1 | FSMC_A25                  |      |          | EVENTOUT |
| PG15   |      |        |          |              |          |                            |                      | USART6_CTS             |                    |                               |                   |                                 |                               | DCMI_D13                  |      | EVENTOUT |          |



Table 9. Alternate function mapping (continued)

| Port   | AF0  | AF1    | AF2      | AF3          | AF4       | AF5                    | AF6              | AF7                | AF8            | AF9                   | AF10          | AF11            | AF12             | AF13        | AF14 | AF15     |
|--------|------|--------|----------|--------------|-----------|------------------------|------------------|--------------------|----------------|-----------------------|---------------|-----------------|------------------|-------------|------|----------|
|        | SYS  | TIM1/2 | TIM3/4/5 | TIM8/9/10/11 | I2C1/2/3  | SPI1/SPI2/I2S2/I2S2ext | SPI3/I2Sext/I2S3 | USART1/2/3/I2S3ext | UART4/5/USART6 | CAN1/CAN2/TIM12/13/14 | OTG_FS/OTG_HS | ETH             | FSMC/SDIO/OTG_FS | DCMI        |      |          |
| Port H | PH0  |        |          |              |           |                        |                  |                    |                |                       |               |                 |                  |             |      | EVENTOUT |
|        | PH1  |        |          |              |           |                        |                  |                    |                |                       |               |                 |                  |             |      | EVENTOUT |
|        | PH2  |        |          |              |           |                        |                  |                    |                |                       |               | ETH_MII_CRD     |                  |             |      | EVENTOUT |
|        | PH3  |        |          |              |           |                        |                  |                    |                |                       |               | ETH_MII_COL     |                  |             |      | EVENTOUT |
|        | PH4  |        |          |              |           | I2C2_SCL               |                  |                    |                |                       |               | OTG_HS_ULPI_NXT |                  |             |      | EVENTOUT |
|        | PH5  |        |          |              |           | I2C2_SDA               |                  |                    |                |                       |               |                 |                  |             |      | EVENTOUT |
|        | PH6  |        |          |              |           | I2C2_SMB_A             |                  |                    |                | TIM12_CH1             |               | ETH_MII_RXD2    |                  |             |      | EVENTOUT |
|        | PH7  |        |          |              |           | I2C3_SCL               |                  |                    |                |                       |               | ETH_MII_RXD3    |                  |             |      | EVENTOUT |
|        | PH8  |        |          |              |           | I2C3_SDA               |                  |                    |                |                       |               |                 |                  | DCMI_HSYN_C |      | EVENTOUT |
|        | PH9  |        |          |              |           | I2C3_SMB_A             |                  |                    |                | TIM12_CH2             |               |                 |                  | DCMI_D0     |      | EVENTOUT |
|        | PH10 |        |          | TIM5_CH1     |           |                        |                  |                    |                |                       |               |                 |                  | DCMI_D1     |      | EVENTOUT |
|        | PH11 |        |          | TIM5_CH2     |           |                        |                  |                    |                |                       |               |                 |                  | DCMI_D2     |      | EVENTOUT |
|        | PH12 |        |          | TIM5_CH3     |           |                        |                  |                    |                |                       |               |                 |                  | DCMI_D3     |      | EVENTOUT |
|        | PH13 |        |          |              | TIM8_CH1N |                        |                  |                    |                |                       | CAN1_TX       |                 |                  |             |      | EVENTOUT |
|        | PH14 |        |          |              | TIM8_CH2N |                        |                  |                    |                |                       |               |                 |                  | DCMI_D4     |      | EVENTOUT |
|        | PH15 |        |          |              | TIM8_CH3N |                        |                  |                    |                |                       |               |                 |                  | DCMI_D11    |      | EVENTOUT |



Table 9. Alternate function mapping (continued)

| Port   | AF0  | AF1    | AF2      | AF3          | AF4       | AF5                        | AF6                  | AF7                    | AF8                | AF9                           | AF10              | AF11          | AF12                 | AF13       | AF14 | AF15     |
|--------|------|--------|----------|--------------|-----------|----------------------------|----------------------|------------------------|--------------------|-------------------------------|-------------------|---------------|----------------------|------------|------|----------|
|        | SYS  | TIM1/2 | TIM3/4/5 | TIM8/9/10/11 | I2C1/2/3  | SPI1/SPI2/<br>I2S2/I2S2ext | SPI3/I2Sext/<br>I2S3 | USART1/2/3/<br>I2S3ext | UART4/5/<br>USART6 | CAN1/<br>CAN2/<br>TIM12/13/14 | OTG_FS/<br>OTG_HS | ETH           | FSMC/SDIO/<br>OTG_FS | DCMI       |      |          |
| Port I | PI0  |        | TIM5_CH4 |              |           | SPI2_NSS<br>I2S2_WS        |                      |                        |                    |                               |                   |               |                      | DCMI_D13   |      | EVENTOUT |
|        | PI1  |        |          |              |           | SPI2_SCK<br>I2S2_CK        |                      |                        |                    |                               |                   |               |                      | DCMI_D8    |      | EVENTOUT |
|        | PI2  |        |          |              | TIM8_CH4  | SPI2_MISO                  | I2S2ext_SD           |                        |                    |                               |                   |               |                      | DCMI_D9    |      | EVENTOUT |
|        | PI3  |        |          |              | TIM8_ETR  | SPI2_MOSI<br>I2S2_SD       |                      |                        |                    |                               |                   |               |                      | DCMI_D10   |      | EVENTOUT |
|        | PI4  |        |          |              | TIM8_BKIN |                            |                      |                        |                    |                               |                   |               |                      | DCMI_D5    |      | EVENTOUT |
|        | PI5  |        |          |              | TIM8_CH1  |                            |                      |                        |                    |                               |                   |               |                      | DCMI_VSYNC |      | EVENTOUT |
|        | PI6  |        |          |              | TIM8_CH2  |                            |                      |                        |                    |                               |                   |               |                      | DCMI_D6    |      | EVENTOUT |
|        | PI7  |        |          |              | TIM8_CH3  |                            |                      |                        |                    |                               |                   |               |                      | DCMI_D7    |      | EVENTOUT |
|        | PI8  |        |          |              |           |                            |                      |                        |                    |                               |                   |               |                      |            |      | EVENTOUT |
|        | PI9  |        |          |              |           |                            |                      |                        |                    | CAN1_RX                       |                   |               |                      |            |      | EVENTOUT |
|        | PI10 |        |          |              |           |                            |                      |                        |                    |                               |                   | ETH_MII_RX_ER |                      |            |      | EVENTOUT |
|        | PI11 |        |          |              |           |                            |                      |                        |                    |                               | OTG_HS_ULPI_DIR   |               |                      |            |      | EVENTOUT |

# 4 Memory mapping

The memory map is shown in *Figure 18*.

Figure 18. STM32F40x memory map

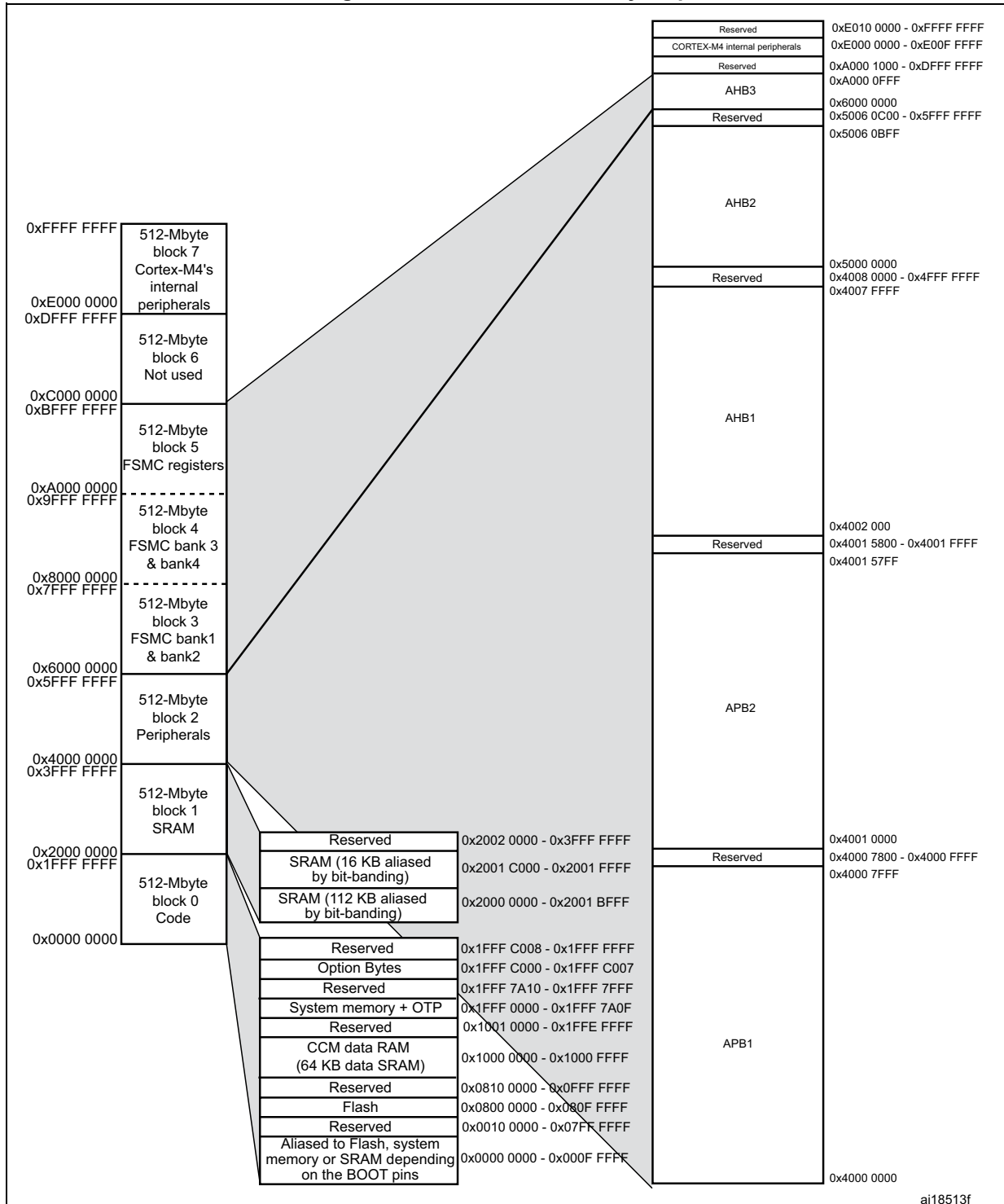


Table 10. STM32F40x register boundary addresses

| Bus       | Boundary address          | Peripheral                     |
|-----------|---------------------------|--------------------------------|
|           | 0xE00F FFFF - 0xFFFF FFFF | Reserved                       |
| Cortex-M4 | 0xE000 0000 - 0xE00F FFFF | Cortex-M4 internal peripherals |
|           | 0xA000 1000 - 0xDFFF FFFF | Reserved                       |
| AHB3      | 0xA000 0000 - 0xA000 0FFF | FSMC control register          |
|           | 0x9000 0000 - 0x9FFF FFFF | FSMC bank 4                    |
|           | 0x8000 0000 - 0x8FFF FFFF | FSMC bank 3                    |
|           | 0x7000 0000 - 0x7FFF FFFF | FSMC bank 2                    |
|           | 0x6000 0000 - 0x6FFF FFFF | FSMC bank 1                    |
|           | 0x5006 0C00- 0x5FFF FFFF  | Reserved                       |
| AHB2      | 0x5006 0800 - 0x5006 0BFF | RNG                            |
|           | 0x5005 0400 - 0x5006 07FF | Reserved                       |
|           | 0x5005 0000 - 0x5005 03FF | DCMI                           |
|           | 0x5004 0000- 0x5004 FFFF  | Reserved                       |
|           | 0x5000 0000 - 0x5003 FFFF | USB OTG FS                     |
|           | 0x4008 0000- 0x4FFF FFFF  | Reserved                       |

**Table 10. STM32F40x register boundary addresses (continued)**

| Bus  | Boundary address          | Peripheral               |
|------|---------------------------|--------------------------|
| AHB1 | 0x4004 0000 - 0x4007 FFFF | USB OTG HS               |
|      | 0x4002 9400 - 0x4003 FFFF | Reserved                 |
|      | 0x4002 9000 - 0x4002 93FF | ETHERNET MAC             |
|      | 0x4002 8C00 - 0x4002 8FFF |                          |
|      | 0x4002 8800 - 0x4002 8BFF |                          |
|      | 0x4002 8400 - 0x4002 87FF |                          |
|      | 0x4002 8000 - 0x4002 83FF |                          |
|      | 0x4002 6800 - 0x4002 7FFF | Reserved                 |
|      | 0x4002 6400 - 0x4002 67FF | DMA2                     |
|      | 0x4002 6000 - 0x4002 63FF | DMA1                     |
|      | 0x4002 5000 - 0x4002 5FFF | Reserved                 |
|      | 0x4002 4000 - 0x4002 4FFF | BKPSRAM                  |
|      | 0x4002 3C00 - 0x4002 3FFF | Flash interface register |
|      | 0x4002 3800 - 0x4002 3BFF | RCC                      |
|      | 0x4002 3400 - 0x4002 37FF | Reserved                 |
|      | 0x4002 3000 - 0x4002 33FF | CRC                      |
|      | 0x4002 2400 - 0x4002 2FFF | Reserved                 |
|      | 0x4002 2000 - 0x4002 23FF | GPIOI                    |
|      | 0x4002 1C00 - 0x4002 1FFF | GPIOH                    |
|      | 0x4002 1800 - 0x4002 1BFF | GPIOG                    |
|      | 0x4002 1400 - 0x4002 17FF | GPIOF                    |
|      | 0x4002 1000 - 0x4002 13FF | GPIOE                    |
|      | 0x4002 0C00 - 0x4002 0FFF | GIOD                     |
|      | 0x4002 0800 - 0x4002 0BFF | GPIOC                    |
|      | 0x4002 0400 - 0x4002 07FF | GPIOB                    |
|      | 0x4002 0000 - 0x4002 03FF | GPIOA                    |
|      |                           | 0x4001 5800- 0x4001 FFFF |



Table 10. STM32F40x register boundary addresses (continued)

| Bus  | Boundary address          | Peripheral               |
|------|---------------------------|--------------------------|
| APB2 | 0x4001 4C00 - 0x4001 57FF | Reserved                 |
|      | 0x4001 4800 - 0x4001 4BFF | TIM11                    |
|      | 0x4001 4400 - 0x4001 47FF | TIM10                    |
|      | 0x4001 4000 - 0x4001 43FF | TIM9                     |
|      | 0x4001 3C00 - 0x4001 3FFF | EXTI                     |
|      | 0x4001 3800 - 0x4001 3BFF | SYSCFG                   |
|      | 0x4001 3400 - 0x4001 37FF | Reserved                 |
|      | 0x4001 3000 - 0x4001 33FF | SPI1                     |
|      | 0x4001 2C00 - 0x4001 2FFF | SDIO                     |
|      | 0x4001 2400 - 0x4001 2BFF | Reserved                 |
|      | 0x4001 2000 - 0x4001 23FF | ADC1 - ADC2 - ADC3       |
|      | 0x4001 1800 - 0x4001 1FFF | Reserved                 |
|      | 0x4001 1400 - 0x4001 17FF | USART6                   |
|      | 0x4001 1000 - 0x4001 13FF | USART1                   |
|      | 0x4001 0800 - 0x4001 0FFF | Reserved                 |
|      | 0x4001 0400 - 0x4001 07FF | TIM8                     |
|      | 0x4001 0000 - 0x4001 03FF | TIM1                     |
|      |                           | 0x4000 7800- 0x4000 FFFF |

**Table 10. STM32F40x register boundary addresses (continued)**

| Bus                       | Boundary address          | Peripheral          |
|---------------------------|---------------------------|---------------------|
| APB1                      | 0x4000 7800 - 0x4000 7FFF | Reserved            |
|                           | 0x4000 7400 - 0x4000 77FF | DAC                 |
|                           | 0x4000 7000 - 0x4000 73FF | PWR                 |
|                           | 0x4000 6C00 - 0x4000 6FFF | Reserved            |
|                           | 0x4000 6800 - 0x4000 6BFF | CAN2                |
|                           | 0x4000 6400 - 0x4000 67FF | CAN1                |
|                           | 0x4000 6000 - 0x4000 63FF | Reserved            |
|                           | 0x4000 5C00 - 0x4000 5FFF | I2C3                |
|                           | 0x4000 5800 - 0x4000 5BFF | I2C2                |
|                           | 0x4000 5400 - 0x4000 57FF | I2C1                |
|                           | 0x4000 5000 - 0x4000 53FF | UART5               |
|                           | 0x4000 4C00 - 0x4000 4FFF | UART4               |
|                           | 0x4000 4800 - 0x4000 4BFF | USART3              |
|                           | 0x4000 4400 - 0x4000 47FF | USART2              |
|                           | 0x4000 4000 - 0x4000 43FF | I2S3ext             |
|                           | 0x4000 3C00 - 0x4000 3FFF | SPI3 / I2S3         |
|                           | 0x4000 3800 - 0x4000 3BFF | SPI2 / I2S2         |
|                           | 0x4000 3400 - 0x4000 37FF | I2S2ext             |
|                           | 0x4000 3000 - 0x4000 33FF | IWDG                |
|                           | 0x4000 2C00 - 0x4000 2FFF | WWDG                |
|                           | 0x4000 2800 - 0x4000 2BFF | RTC & BKP Registers |
|                           | 0x4000 2400 - 0x4000 27FF | Reserved            |
|                           | 0x4000 2000 - 0x4000 23FF | TIM14               |
|                           | 0x4000 1C00 - 0x4000 1FFF | TIM13               |
|                           | 0x4000 1800 - 0x4000 1BFF | TIM12               |
|                           | 0x4000 1400 - 0x4000 17FF | TIM7                |
|                           | 0x4000 1000 - 0x4000 13FF | TIM6                |
|                           | 0x4000 0C00 - 0x4000 0FFF | TIM5                |
|                           | 0x4000 0800 - 0x4000 0BFF | TIM4                |
|                           | 0x4000 0400 - 0x4000 07FF | TIM3                |
| 0x4000 0000 - 0x4000 03FF | TIM2                      |                     |

## 5 Electrical characteristics

### 5.1 Parameter conditions

Unless otherwise specified, all voltages are referenced to  $V_{SS}$ .

#### 5.1.1 Minimum and maximum values

Unless otherwise specified the minimum and maximum values are guaranteed in the worst conditions of ambient temperature, supply voltage and frequencies by tests in production on 100% of the devices with an ambient temperature at  $T_A = 25\text{ }^\circ\text{C}$  and  $T_A = T_{Amax}$  (given by the selected temperature range).

Data based on characterization results, design simulation and/or technology characteristics are indicated in the table footnotes and are not tested in production. Based on characterization, the minimum and maximum values refer to sample tests and represent the mean value plus or minus three times the standard deviation ( $\text{mean} \pm 3\sigma$ ).

#### 5.1.2 Typical values

Unless otherwise specified, typical data are based on  $T_A = 25\text{ }^\circ\text{C}$ ,  $V_{DD} = 3.3\text{ V}$  (for the  $1.8\text{ V} \leq V_{DD} \leq 3.6\text{ V}$  voltage range). They are given only as design guidelines and are not tested.

Typical ADC accuracy values are determined by characterization of a batch of samples from a standard diffusion lot over the full temperature range, where 95% of the devices have an error less than or equal to the value indicated ( $\text{mean} \pm 2\sigma$ ).

#### 5.1.3 Typical curves

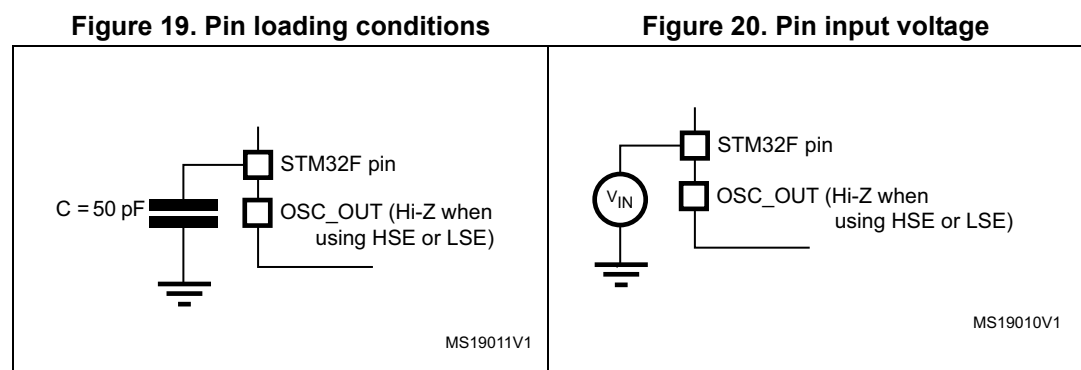
Unless otherwise specified, all typical curves are given only as design guidelines and are not tested.

#### 5.1.4 Loading capacitor

The loading conditions used for pin parameter measurement are shown in [Figure 19](#).

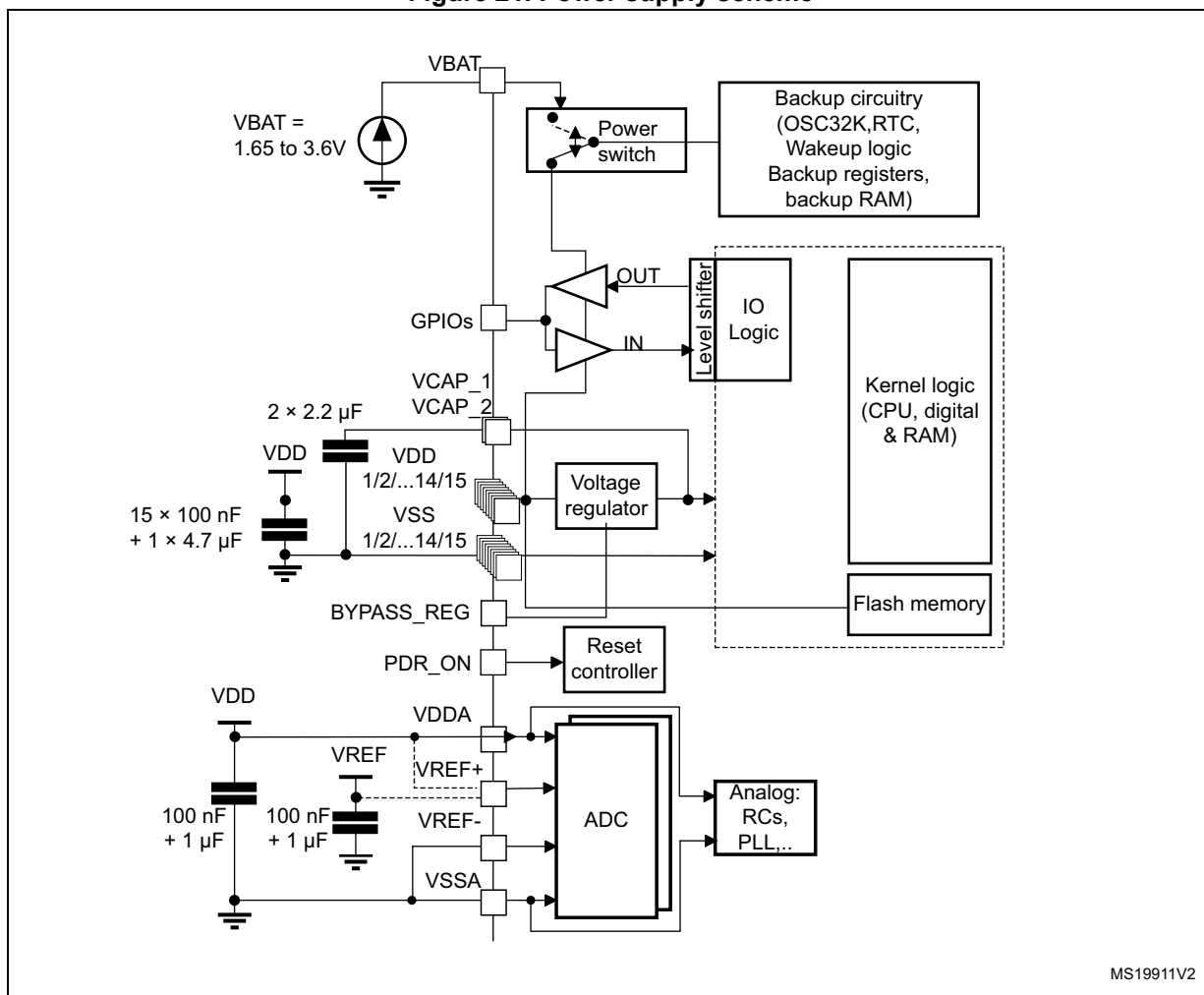
#### 5.1.5 Pin input voltage

The input voltage measurement on a pin of the device is described in [Figure 20](#).



### 5.1.6 Power supply scheme

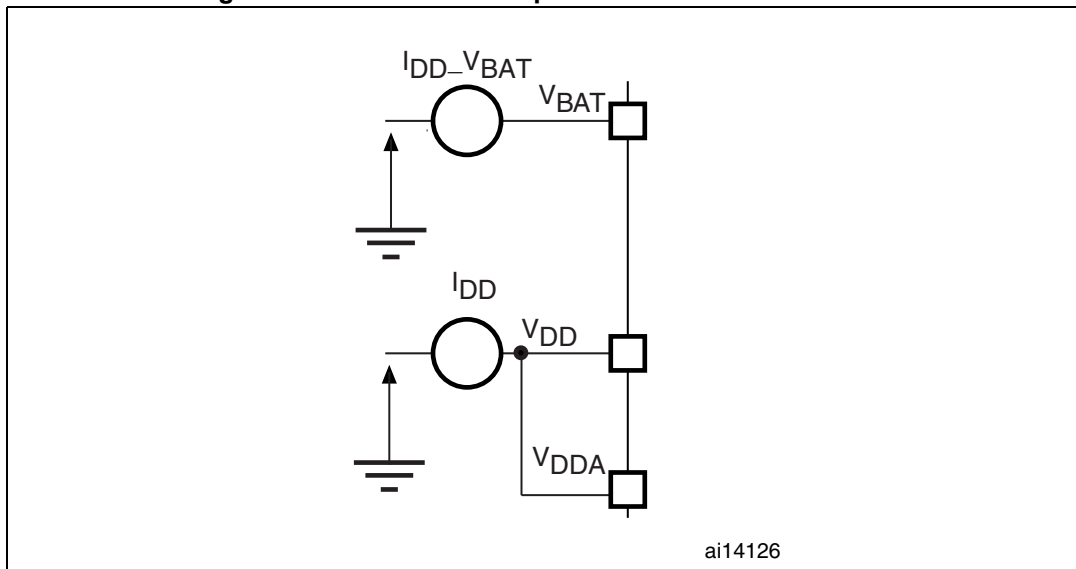
Figure 21. Power supply scheme



1. Each power supply pair must be decoupled with filtering ceramic capacitors as shown above. These capacitors must be placed as close as possible to, or below, the appropriate pins on the underside of the PCB to ensure the good functionality of the device.
2. To connect BYPASS\_REG and PDR\_ON pins, refer to [Section 2.2.16: Voltage regulator](#) and [Table 2.2.15: Power supply supervisor](#).
3. The two 2.2 µF ceramic capacitors should be replaced by two 100 nF decoupling capacitors when the voltage regulator is OFF.
4. The 4.7 µF ceramic capacitor must be connected to one of the V<sub>DD</sub> pin.
5. V<sub>DDA</sub>=V<sub>DD</sub> and V<sub>SSA</sub>=V<sub>SS</sub>.

### 5.1.7 Current consumption measurement

Figure 22. Current consumption measurement scheme



## 5.2 Absolute maximum ratings

Stresses above the absolute maximum ratings listed in [Table 11: Voltage characteristics](#), [Table 12: Current characteristics](#), and [Table 13: Thermal characteristics](#) may cause permanent damage to the device. These are stress ratings only and functional operation of the device at these conditions is not implied. Exposure to maximum rating conditions for extended periods may affect device reliability.

Table 11. Voltage characteristics

| Symbol               | Ratings   | Min   | Max        | Unit |
|----------------------|---|---|------------|------|
| $V_{DD}-V_{SS}$      | External main supply voltage (including $V_{DDA}$ , $V_{DD}$ ) <sup>(1)</sup> | -0.3  | 4.0        | V    |
| $V_{IN}$             | Input voltage on five-volt tolerant pin <sup>(2)</sup>                        | $V_{SS}-0.3$  | $V_{DD}+4$ |      |
|                      | Input voltage on any other pin  | $V_{SS}-0.3$  | 4.0        |      |
| $ \Delta V_{DDx} $   | Variations between different $V_{DD}$ power pins                              | -   | 50         | mV   |
| $ V_{SSx} - V_{SS} $ | Variations between all the different ground pins                              | -   | 50         |      |
| $V_{ESD(HBM)}$       | Electrostatic discharge voltage (human body model)                            | see <a href="#">Section 5.3.14: Absolute maximum ratings (electrical sensitivity)</a> |            |      |

1. All main power ( $V_{DD}$ ,  $V_{DDA}$ ) and ground ( $V_{SS}$ ,  $V_{SSA}$ ) pins must always be connected to the external power supply, in the permitted range.
2.  $V_{IN}$  maximum value must always be respected. Refer to [Table 12](#) for the values of the maximum allowed injected current.

**Table 12. Current characteristics**

| Symbol                               | Ratings   | Max.  | Unit |
|--------------------------------------|---|-------|------|
| $I_{VDD}$                            | Total current into $V_{DD}$ power lines (source) <sup>(1)</sup>         | 150   | mA   |
| $I_{VSS}$                            | Total current out of $V_{SS}$ ground lines (sink) <sup>(1)</sup>        | 150   |      |
| $I_{IO}$                             | Output current sunk by any I/O and control pin                          | 25    |      |
|                                      | Output current source by any I/Os and control pin                       | 25    |      |
| $I_{INJ(PIN)}$ <sup>(2)</sup>        | Injected current on five-volt tolerant I/O <sup>(3)</sup>               | -5/+0 |      |
|                                      | Injected current on any other pin <sup>(4)</sup>                        | ±5    |      |
| $\Sigma I_{INJ(PIN)}$ <sup>(4)</sup> | Total injected current (sum of all I/O and control pins) <sup>(5)</sup> | ±25   |      |

1. All main power ( $V_{DD}$ ,  $V_{DDA}$ ) and ground ( $V_{SS}$ ,  $V_{SSA}$ ) pins must always be connected to the external power supply, in the permitted range.
2. Negative injection disturbs the analog performance of the device. See note in [Section 5.3.20: 12-bit ADC characteristics](#).
3. Positive injection is not possible on these I/Os. A negative injection is induced by  $V_{IN} < V_{SS}$ .  $I_{INJ(PIN)}$  must never be exceeded. Refer to [Table 11](#) for the values of the maximum allowed input voltage.
4. A positive injection is induced by  $V_{IN} > V_{DD}$  while a negative injection is induced by  $V_{IN} < V_{SS}$ .  $I_{INJ(PIN)}$  must never be exceeded. Refer to [Table 11](#) for the values of the maximum allowed input voltage.
5. When several inputs are submitted to a current injection, the maximum  $\Sigma I_{INJ(PIN)}$  is the absolute sum of the positive and negative injected currents (instantaneous values).

**Table 13. Thermal characteristics**

| Symbol    | Ratings                      | Value       | Unit |
|-----------|------------------------------|-------------|------|
| $T_{STG}$ | Storage temperature range    | -65 to +150 | °C   |
| $T_J$     | Maximum junction temperature | 125         | °C   |

## 5.3 Operating conditions

### 5.3.1 General operating conditions

**Table 14. General operating conditions**

| Symbol                      | Parameter   | Conditions  | Min                | Typ | Max | Unit |
|-----------------------------|---|---|--------------------|-----|-----|------|
| $f_{HCLK}$                  | Internal AHB clock frequency                            | VOS bit in PWR_CR register = 0 <sup>(1)</sup>         | 0                  |     | 144 | MHz  |
|                             |   | VOS bit in PWR_CR register= 1                         | 0                  |     | 168 |      |
| $f_{PCLK1}$                 | Internal APB1 clock frequency                           |   | 0                  |     | 42  |      |
| $f_{PCLK2}$                 | Internal APB2 clock frequency                           |   | 0                  |     | 84  |      |
| $V_{DD}$                    | Standard operating voltage                              |   | 1.8 <sup>(2)</sup> |     | 3.6 | V    |
| $V_{DDA}$ <sup>(3)(4)</sup> | Analog operating voltage (ADC limited to 1.2 M samples) | Must be the same potential as $V_{DD}$ <sup>(5)</sup> | 1.8 <sup>(2)</sup> |     | 2.4 | V    |
|                             | Analog operating voltage (ADC limited to 1.4 M samples) |   | 2.4                |     | 3.6 |      |
| $V_{BAT}$                   | Backup operating voltage                                |   | 1.65               |     | 3.6 | V    |

Table 14. General operating conditions (continued)

| Symbol          | Parameter  | Conditions  | Min  | Typ  | Max                       | Unit |
|-----------------|--|---|------|------|---------------------------|------|
| V <sub>12</sub> | Regulator ON:<br>1.2 V internal voltage on<br>V <sub>CAP_1</sub> /V <sub>CAP_2</sub> pins  | VOS bit in PWR_CR register = 0 <sup>(1)</sup><br>Max frequency 144MHz | 1.08 | 1.14 | 1.20                      | V    |
|                 |  | VOS bit in PWR_CR register= 1<br>Max frequency 168MHz                 | 1.20 | 1.26 | 1.32                      | V    |
|                 | Regulator OFF:<br>1.2 V external voltage must be<br>supplied from external regulator<br>on V <sub>CAP_1</sub> /V <sub>CAP_2</sub> pins | Max frequency 144MHz  | 1.10 | 1.14 | 1.20                      | V    |
|                 |  | Max frequency 168MHz  | 1.20 | 1.26 | 1.30                      | V    |
| V <sub>IN</sub> | Input voltage on RST and FT<br>pins <sup>(6)</sup>   | 2 V ≤ V <sub>DD</sub> ≤ 3.6 V   | -0.3 | -    | 5.5                       | V    |
|                 |  | V <sub>DD</sub> ≤ 2 V   | -0.3 | -    | 5.2                       |      |
|                 | Input voltage on TTa pins  |   | -0.3 | -    | V <sub>DDA</sub> +<br>0.3 |      |
|                 | Input voltage on B pin   |   |      | -    | 5.5                       |      |
| P <sub>D</sub>  | Power dissipation at T <sub>A</sub> = 85 °C<br>for suffix 6 or T <sub>A</sub> = 105 °C for<br>suffix 7 <sup>(7)</sup>                  | LQFP64  | -    |      | 435                       | mW   |
|                 |  | LQFP100   | -    |      | 465                       |      |
|                 |  | LQFP144   | -    |      | 500                       |      |
|                 |  | LQFP176   | -    |      | 526                       |      |
|                 |  | UFBGA176  | -    |      | 513                       |      |
|                 |  | WLCSP90   | -    |      | 543                       |      |
| T <sub>A</sub>  | Ambient temperature for 6 suffix<br>version  | Maximum power dissipation   | -40  |      | 85                        | °C   |
|                 |  | Low power dissipation <sup>(8)</sup>                                  | -40  |      | 105                       |      |
|                 | Ambient temperature for 7 suffix<br>version  | Maximum power dissipation   | -40  |      | 105                       | °C   |
|                 |  | Low power dissipation <sup>(8)</sup>                                  | -40  |      | 125                       |      |
| T <sub>J</sub>  | Junction temperature range   | 6 suffix version  | -40  |      | 105                       | °C   |
|                 |  | 7 suffix version  | -40  |      | 125                       |      |

1. The average expected gain in power consumption when VOS = 0 compared to VOS = 1 is around 10% for the whole temperature range, when the system clock frequency is between 30 and 144 MHz.
2. V<sub>DD</sub>/V<sub>DDA</sub> minimum value of 1.7 V is obtained when the device operates in reduced temperature range, and with the use of an external power supply supervisor (refer to [Section : Internal reset OFF](#)).
3. When the ADC is used, refer to [Table 67: ADC characteristics](#).
4. If V<sub>REF+</sub> pin is present, it must respect the following condition: V<sub>DDA</sub>-V<sub>REF+</sub> < 1.2 V.
5. It is recommended to power V<sub>DD</sub> and V<sub>DDA</sub> from the same source. A maximum difference of 300 mV between V<sub>DD</sub> and V<sub>DDA</sub> can be tolerated during power-up and power-down operation.
6. To sustain a voltage higher than V<sub>DD</sub>+0.3, the internal pull-up and pull-down resistors must be disabled.
7. If T<sub>A</sub> is lower, higher P<sub>D</sub> values are allowed as long as T<sub>J</sub> does not exceed T<sub>Jmax</sub>.
8. In low power dissipation state, T<sub>A</sub> can be extended to this range as long as T<sub>J</sub> does not exceed T<sub>Jmax</sub>.

Table 15. Limitations depending on the operating power supply range

| Operating power supply range                  | ADC operation                  | Maximum Flash memory access frequency with no wait state (f <sub>Flashmax</sub> ) | Maximum Flash memory access frequency with wait states <sup>(1) (2)</sup> | I/O operation  | Clock output Frequency on I/O pins   | Possible Flash memory operations        |
|---|--------------------------------|---|---|--|--|---|
| V <sub>DD</sub> = 1.8 to 2.1 V <sup>(3)</sup> | Conversion time up to 1.2 Msps | 20 MHz <sup>(4)</sup>   | 160 MHz with 7 wait states  | – Degraded speed performance<br>– No I/O compensation    | up to 30 MHz   | 8-bit erase and program operations only |
| V <sub>DD</sub> = 2.1 to 2.4 V                | Conversion time up to 1.2 Msps | 22 MHz  | 168 MHz with 7 wait states  | – Degraded speed performance<br>– No I/O compensation    | up to 30 MHz   | 16-bit erase and program operations     |
| V <sub>DD</sub> = 2.4 to 2.7 V                | Conversion time up to 2.4 Msps | 24 MHz  | 168 MHz with 6 wait states  | – Degraded speed performance<br>– I/O compensation works | up to 48 MHz   | 16-bit erase and program operations     |
| V <sub>DD</sub> = 2.7 to 3.6 V <sup>(5)</sup> | Conversion time up to 2.4 Msps | 30 MHz  | 168 MHz with 5 wait states  | – Full-speed operation<br>– I/O compensation works       | – up to 60 MHz when V <sub>DD</sub> = 3.0 to 3.6 V<br>– up to 48 MHz when V <sub>DD</sub> = 2.7 to 3.0 V | 32-bit erase and program operations     |

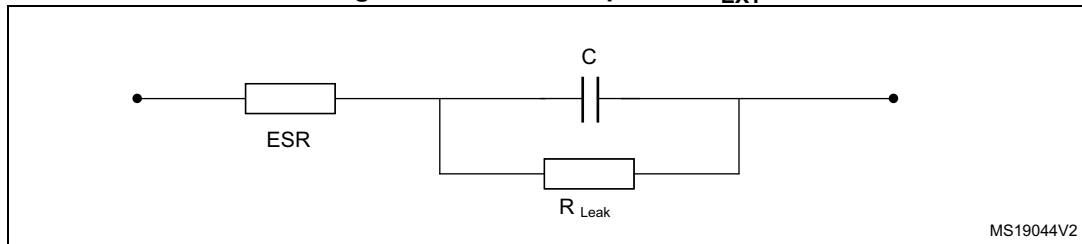
1. It applies only when code executed from Flash memory access, when code executed from RAM, no wait state is required.
2. Thanks to the ART accelerator and the 128-bit Flash memory, the number of wait states given here does not impact the execution speed from Flash memory since the ART accelerator allows to achieve a performance equivalent to 0 wait state program execution.
3. V<sub>DD</sub>/V<sub>D</sub>DA minimum value of 1.7 V is obtained when the device operates in reduced temperature range, and with the use of an external power supply supervisor (refer to [Section : Internal reset OFF](#)).
4. Prefetch is not available. Refer to AN3430 application note for details on how to adjust performance and power.
5. The voltage range for OTG USB FS can drop down to 2.7 V. However it is degraded between 2.7 and 3 V.

### 5.3.2 V<sub>CAP\_1</sub>/V<sub>CAP\_2</sub> external capacitor

Stabilization for the main regulator is achieved by connecting an external capacitor C<sub>EXT</sub> to the V<sub>CAP\_1</sub>/V<sub>CAP\_2</sub> pins. C<sub>EXT</sub> is specified in [Table 16](#).



Figure 23. External capacitor C<sub>EXT</sub>



1. Legend: ESR is the equivalent series resistance.

Table 16. V<sub>CAP\_1</sub>/V<sub>CAP\_2</sub> operating conditions<sup>(1)</sup>

| Symbol           | Parameter                         | Conditions |
|------------------|-----------------------------------|------------|
| C <sub>EXT</sub> | Capacitance of external capacitor | 2.2 μF     |
| ESR              | ESR of external capacitor         | < 2 Ω      |

1. When bypassing the voltage regulator, the two 2.2 μF V<sub>CAP</sub> capacitors are not required and should be replaced by two 100 nF decoupling capacitors.

### 5.3.3 Operating conditions at power-up / power-down (regulator ON)

Subject to general operating conditions for T<sub>A</sub>.

Table 17. Operating conditions at power-up / power-down (regulator ON)

| Symbol           | Parameter                      | Min | Max | Unit |
|------------------|--------------------------------|-----|-----|------|
| t <sub>VDD</sub> | V <sub>DD</sub> rise time rate | 20  | ∞   | μs/V |
|                  | V <sub>DD</sub> fall time rate | 20  | ∞   |      |

### 5.3.4 Operating conditions at power-up / power-down (regulator OFF)

Subject to general operating conditions for T<sub>A</sub>.

Table 18. Operating conditions at power-up / power-down (regulator OFF)<sup>(1)</sup>

| Symbol                       | Parameter  | Conditions | Min | Max | Unit |
|------------------------------|--|------------|-----|-----|------|
| t <sub>VDD</sub>             | V <sub>DD</sub> rise time rate                           | Power-up   | 20  | ∞   | μs/V |
|                              | V <sub>DD</sub> fall time rate                           | Power-down | 20  | ∞   |      |
| t <sub>V<sub>CAP</sub></sub> | V <sub>CAP_1</sub> and V <sub>CAP_2</sub> rise time rate | Power-up   | 20  | ∞   |      |
|                              | V <sub>CAP_1</sub> and V <sub>CAP_2</sub> fall time rate | Power-down | 20  | ∞   |      |

1. To reset the internal logic at power-down, a reset must be applied on pin PA0 when V<sub>DD</sub> reach below minimum value of V<sub>12</sub>.

### 5.3.5 Embedded reset and power control block characteristics

The parameters given in [Table 19](#) are derived from tests performed under ambient temperature and V<sub>DD</sub> supply voltage conditions summarized in [Table 14](#).

Table 19. Embedded reset and power control block characteristics

| Symbol                              | Parameter                                     | Conditions                  | Min  | Typ  | Max  | Unit |
|-------------------------------------|---|-----------------------------|------|------|------|------|
| V <sub>PVD</sub>                    | Programmable voltage detector level selection | PLS[2:0]=000 (rising edge)  | 2.09 | 2.14 | 2.19 | V    |
|                                     |   | PLS[2:0]=000 (falling edge) | 1.98 | 2.04 | 2.08 | V    |
|                                     |   | PLS[2:0]=001 (rising edge)  | 2.23 | 2.30 | 2.37 | V    |
|                                     |   | PLS[2:0]=001 (falling edge) | 2.13 | 2.19 | 2.25 | V    |
|                                     |   | PLS[2:0]=010 (rising edge)  | 2.39 | 2.45 | 2.51 | V    |
|                                     |   | PLS[2:0]=010 (falling edge) | 2.29 | 2.35 | 2.39 | V    |
|                                     |   | PLS[2:0]=011 (rising edge)  | 2.54 | 2.60 | 2.65 | V    |
|                                     |   | PLS[2:0]=011 (falling edge) | 2.44 | 2.51 | 2.56 | V    |
|                                     |   | PLS[2:0]=100 (rising edge)  | 2.70 | 2.76 | 2.82 | V    |
|                                     |   | PLS[2:0]=100 (falling edge) | 2.59 | 2.66 | 2.71 | V    |
|                                     |   | PLS[2:0]=101 (rising edge)  | 2.86 | 2.93 | 2.99 | V    |
|                                     |   | PLS[2:0]=101 (falling edge) | 2.65 | 2.84 | 3.02 | V    |
|                                     |   | PLS[2:0]=110 (rising edge)  | 2.96 | 3.03 | 3.10 | V    |
|                                     |   | PLS[2:0]=110 (falling edge) | 2.85 | 2.93 | 2.99 | V    |
|                                     |   | PLS[2:0]=111 (rising edge)  | 3.07 | 3.14 | 3.21 | V    |
| PLS[2:0]=111 (falling edge)         | 2.95  | 3.03                        | 3.09 | V    |      |      |
| V <sub>PVDhyst</sub> <sup>(1)</sup> | PVD hysteresis                                |                             | -    | 100  | -    | mV   |
| V <sub>POR/PDR</sub>                | Power-on/power-down reset threshold           | Falling edge                | 1.60 | 1.68 | 1.76 | V    |
|                                     |   | Rising edge                 | 1.64 | 1.72 | 1.80 | V    |
| V <sub>PDRhyst</sub> <sup>(1)</sup> | PDR hysteresis                                |                             | -    | 40   | -    | mV   |
| V <sub>BOR1</sub>                   | Brownout level 1 threshold                    | Falling edge                | 2.13 | 2.19 | 2.24 | V    |
|                                     |   | Rising edge                 | 2.23 | 2.29 | 2.33 | V    |
| V <sub>BOR2</sub>                   | Brownout level 2 threshold                    | Falling edge                | 2.44 | 2.50 | 2.56 | V    |
|                                     |   | Rising edge                 | 2.53 | 2.59 | 2.63 | V    |
| V <sub>BOR3</sub>                   | Brownout level 3 threshold                    | Falling edge                | 2.75 | 2.83 | 2.88 | V    |
|                                     |   | Rising edge                 | 2.85 | 2.92 | 2.97 | V    |

**Table 19. Embedded reset and power control block characteristics (continued)**

| Symbol                  | Parameter   | Conditions  | Min | Typ | Max | Unit          |
|-------------------------|---|---|-----|-----|-----|---------------|
| $V_{BORhyst}^{(1)}$     | BOR hysteresis  |   | -   | 100 | -   | mV            |
| $T_{RSTTEMPO}^{(1)(2)}$ | Reset temporization   |   | 0.5 | 1.5 | 3.0 | ms            |
| $I_{RUSH}^{(1)}$        | InRush current on voltage regulator power-on (POR or wakeup from Standby) |   | -   | 160 | 200 | mA            |
| $E_{RUSH}^{(1)}$        | InRush energy on voltage regulator power-on (POR or wakeup from Standby)  | $V_{DD} = 1.8\text{ V}$ , $T_A = 105\text{ °C}$ ,<br>$I_{RUSH} = 171\text{ mA}$ for $31\text{ }\mu\text{s}$ | -   | -   | 5.4 | $\mu\text{C}$ |

1. Guaranteed by design, not tested in production.
2. The reset temporization is measured from the power-on (POR reset or wakeup from  $V_{BAT}$ ) to the instant when first instruction is read by the user application code.

### 5.3.6 Supply current characteristics

The current consumption is a function of several parameters and factors such as the operating voltage, ambient temperature, I/O pin loading, device software configuration, operating frequencies, I/O pin switching rate, program location in memory and executed binary code.

The current consumption is measured as described in [Figure 22: Current consumption measurement scheme](#).

All Run mode current consumption measurements given in this section are performed using a CoreMark-compliant code.

#### Typical and maximum current consumption

The MCU is placed under the following conditions:

- At startup, all I/O pins are configured as analog inputs by firmware.
- All peripherals are disabled except if it is explicitly mentioned.
- The Flash memory access time is adjusted to  $f_{HCLK}$  frequency (0 wait state from 0 to 30 MHz, 1 wait state from 30 to 60 MHz, 2 wait states from 60 to 90 MHz, 3 wait states from 90 to 120 MHz, 4 wait states from 120 to 150 MHz, and 5 wait states from 150 to 168 MHz).
- When the peripherals are enabled HCLK is the system clock,  $f_{PCLK1} = f_{HCLK}/4$ , and  $f_{PCLK2} = f_{HCLK}/2$ , except is explicitly mentioned.
- The maximum values are obtained for  $V_{DD} = 3.6\text{ V}$  and maximum ambient temperature ( $T_A$ ), and the typical values for  $T_A = 25\text{ °C}$  and  $V_{DD} = 3.3\text{ V}$  unless otherwise specified.

**Table 20. Typical and maximum current consumption in Run mode, code with data processing running from Flash memory (ART accelerator enabled) or RAM <sup>(1)</sup>**

| Symbol          | Parameter                  | Conditions   | f <sub>HCLK</sub>     | Typ                    | Max <sup>(2)</sup>     |                         | Unit |
|-----------------|----------------------------|--|-----------------------|------------------------|------------------------|-------------------------|------|
|                 |                            |  |                       | T <sub>A</sub> = 25 °C | T <sub>A</sub> = 85 °C | T <sub>A</sub> = 105 °C |      |
| I <sub>DD</sub> | Supply current in Run mode | External clock <sup>(3)</sup> , all peripherals enabled <sup>(4)(5)</sup>  | 168 MHz               | 87                     | 102                    | 109                     | mA   |
|                 |                            |  | 144 MHz               | 67                     | 80                     | 86                      |      |
|                 |                            |  | 120 MHz               | 56                     | 69                     | 75                      |      |
|                 |                            |  | 90 MHz                | 44                     | 56                     | 62                      |      |
|                 |                            |  | 60 MHz                | 30                     | 42                     | 49                      |      |
|                 |                            |  | 30 MHz                | 16                     | 28                     | 35                      |      |
|                 |                            |  | 25 MHz                | 12                     | 24                     | 31                      |      |
|                 |                            |  | 16 MHz <sup>(6)</sup> | 9                      | 20                     | 28                      |      |
|                 |                            |  | 8 MHz                 | 5                      | 17                     | 24                      |      |
|                 |                            |  | 4 MHz                 | 3                      | 15                     | 22                      |      |
|                 |                            | 2 MHz  | 2                     | 14                     | 21                     |                         |      |
|                 |                            | External clock <sup>(3)</sup> , all peripherals disabled <sup>(4)(5)</sup> | 168 MHz               | 40                     | 54                     | 61                      |      |
|                 |                            |  | 144 MHz               | 31                     | 43                     | 50                      |      |
|                 |                            |  | 120 MHz               | 26                     | 38                     | 45                      |      |
|                 |                            |  | 90 MHz                | 20                     | 32                     | 39                      |      |
|                 |                            |  | 60 MHz                | 14                     | 26                     | 33                      |      |
|                 |                            |  | 30 MHz                | 8                      | 20                     | 27                      |      |
|                 |                            |  | 25 MHz                | 6                      | 18                     | 25                      |      |
|                 |                            |  | 16 MHz <sup>(6)</sup> | 5                      | 16                     | 24                      |      |
|                 |                            |  | 8 MHz                 | 3                      | 15                     | 22                      |      |
| 4 MHz           | 2                          |  | 14                    | 21                     |                        |                         |      |
| 2 MHz           | 2                          | 14   | 21                    |                        |                        |                         |      |

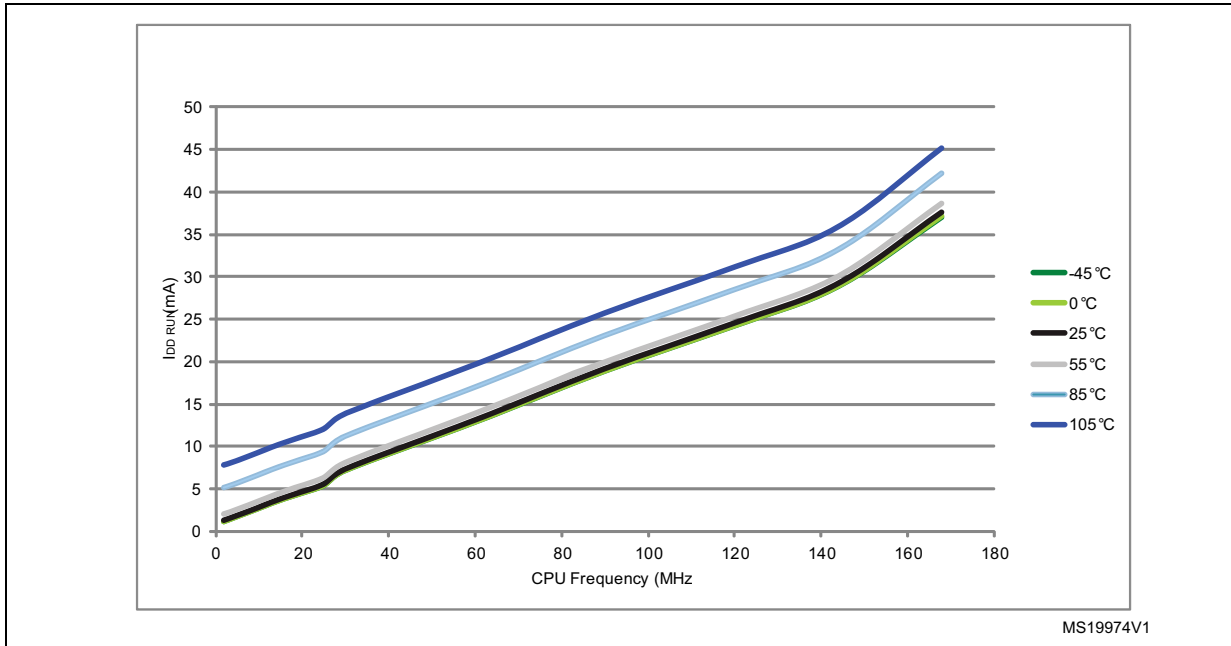
- Code and data processing running from SRAM1 using boot pins.
- Based on characterization, tested in production at V<sub>DD</sub> max and f<sub>HCLK</sub> max with peripherals enabled.
- External clock is 4 MHz and PLL is on when f<sub>HCLK</sub> > 25 MHz.
- When the ADC is ON (ADON bit set in the ADC\_CR2 register), add an additional power consumption of 1.6 mA per ADC for the analog part.
- When analog peripheral blocks such as ADCs, DACs, HSE, LSE, HSI, or LSI are ON, an additional power consumption should be considered.
- In this case HCLK = system clock/2.

**Table 21. Typical and maximum current consumption in Run mode, code with data processing running from Flash memory (ART accelerator disabled)**

| Symbol          | Parameter                  | Conditions   | f <sub>HCLK</sub> | Typ                    | Max <sup>(1)</sup>     |                         | Unit |
|-----------------|----------------------------|--|-------------------|------------------------|------------------------|-------------------------|------|
|                 |                            |  |                   | T <sub>A</sub> = 25 °C | T <sub>A</sub> = 85 °C | T <sub>A</sub> = 105 °C |      |
| I <sub>DD</sub> | Supply current in Run mode | External clock <sup>(2)</sup> , all peripherals enabled <sup>(3)(4)</sup>  | 168 MHz           | 93                     | 109                    | 117                     | mA   |
|                 |                            |  | 144 MHz           | 76                     | 89                     | 96                      |      |
|                 |                            |  | 120 MHz           | 67                     | 79                     | 86                      |      |
|                 |                            |  | 90 MHz            | 53                     | 65                     | 73                      |      |
|                 |                            |  | 60 MHz            | 37                     | 49                     | 56                      |      |
|                 |                            |  | 30 MHz            | 20                     | 32                     | 39                      |      |
|                 |                            |  | 25 MHz            | 16                     | 27                     | 35                      |      |
|                 |                            |  | 16 MHz            | 11                     | 23                     | 30                      |      |
|                 |                            |  | 8 MHz             | 6                      | 18                     | 25                      |      |
|                 |                            |  | 4 MHz             | 4                      | 16                     | 23                      |      |
|                 |                            | 2 MHz  | 3                 | 15                     | 22                     |                         |      |
|                 |                            | External clock <sup>(2)</sup> , all peripherals disabled <sup>(3)(4)</sup> | 168 MHz           | 46                     | 61                     | 69                      |      |
|                 |                            |  | 144 MHz           | 40                     | 52                     | 60                      |      |
|                 |                            |  | 120 MHz           | 37                     | 48                     | 56                      |      |
|                 |                            |  | 90 MHz            | 30                     | 42                     | 50                      |      |
|                 |                            |  | 60 MHz            | 22                     | 33                     | 41                      |      |
|                 |                            |  | 30 MHz            | 12                     | 24                     | 31                      |      |
|                 |                            |  | 25 MHz            | 10                     | 21                     | 29                      |      |
|                 |                            |  | 16 MHz            | 7                      | 19                     | 26                      |      |
|                 |                            |  | 8 MHz             | 4                      | 16                     | 23                      |      |
| 4 MHz           | 3                          |  | 15                | 22                     |                        |                         |      |
| 2 MHz           | 2                          | 14   | 21                |                        |                        |                         |      |

1. Based on characterization, tested in production at V<sub>DD</sub> max and f<sub>HCLK</sub> max with peripherals enabled.
2. External clock is 4 MHz and PLL is on when f<sub>HCLK</sub> > 25 MHz.
3. When analog peripheral blocks such as (ADCs, DACs, HSE, LSE, HSI,LSI) are on, an additional power consumption should be considered.
4. When the ADC is ON (ADON bit set in the ADC\_CR2 register), add an additional power consumption of 1.6 mA per ADC for the analog part.

**Figure 24. Typical current consumption versus temperature, Run mode, code with data processing running from Flash (ART accelerator ON) or RAM, and peripherals OFF**



**Figure 25. Typical current consumption versus temperature, Run mode, code with data processing running from Flash (ART accelerator ON) or RAM, and peripherals ON**

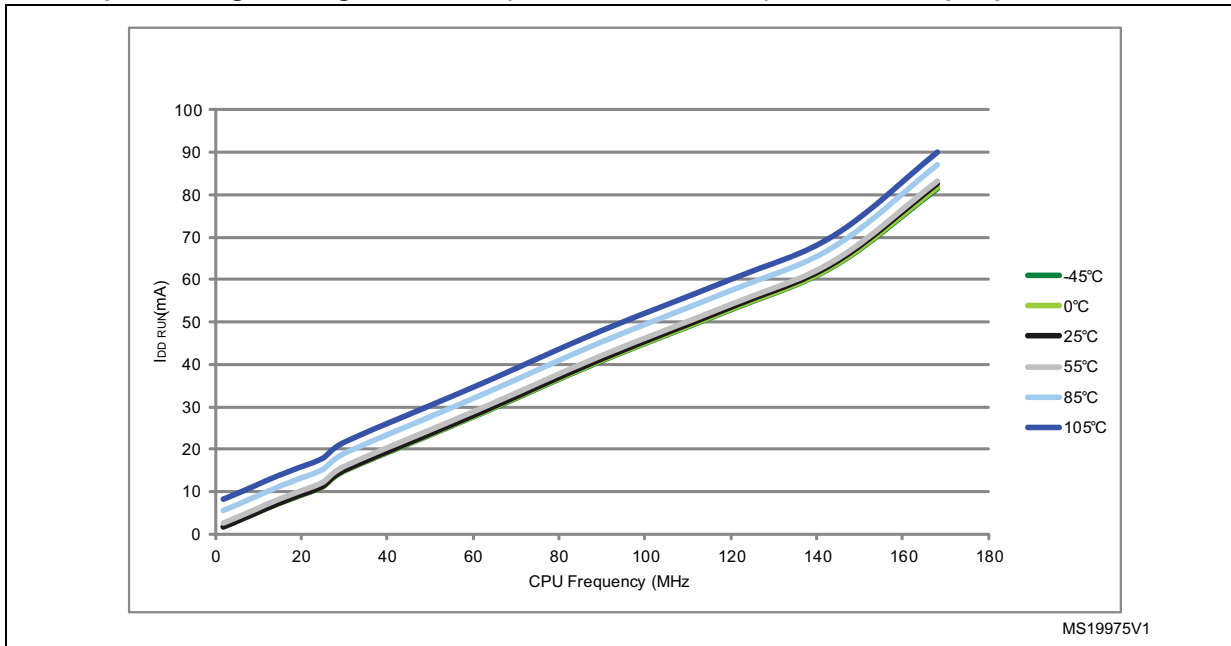


Figure 26. Typical current consumption versus temperature, Run mode, code with data processing running from Flash (ART accelerator OFF) or RAM, and peripherals OFF

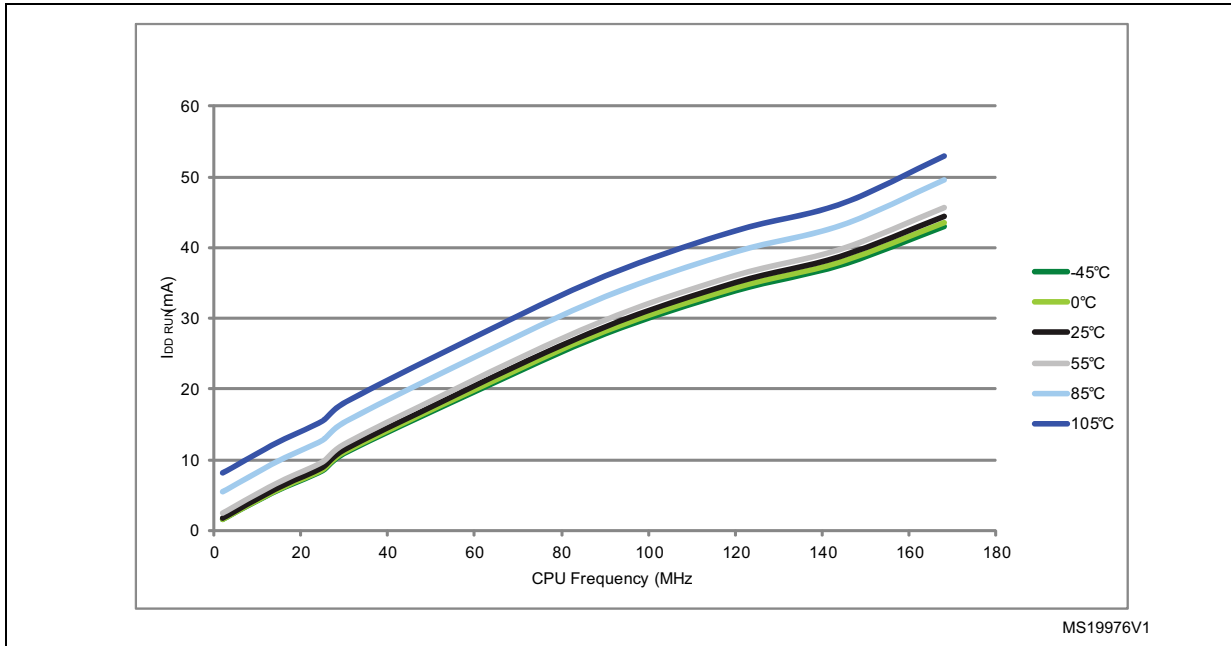


Figure 27. Typical current consumption versus temperature, Run mode, code with data processing running from Flash (ART accelerator OFF) or RAM, and peripherals ON

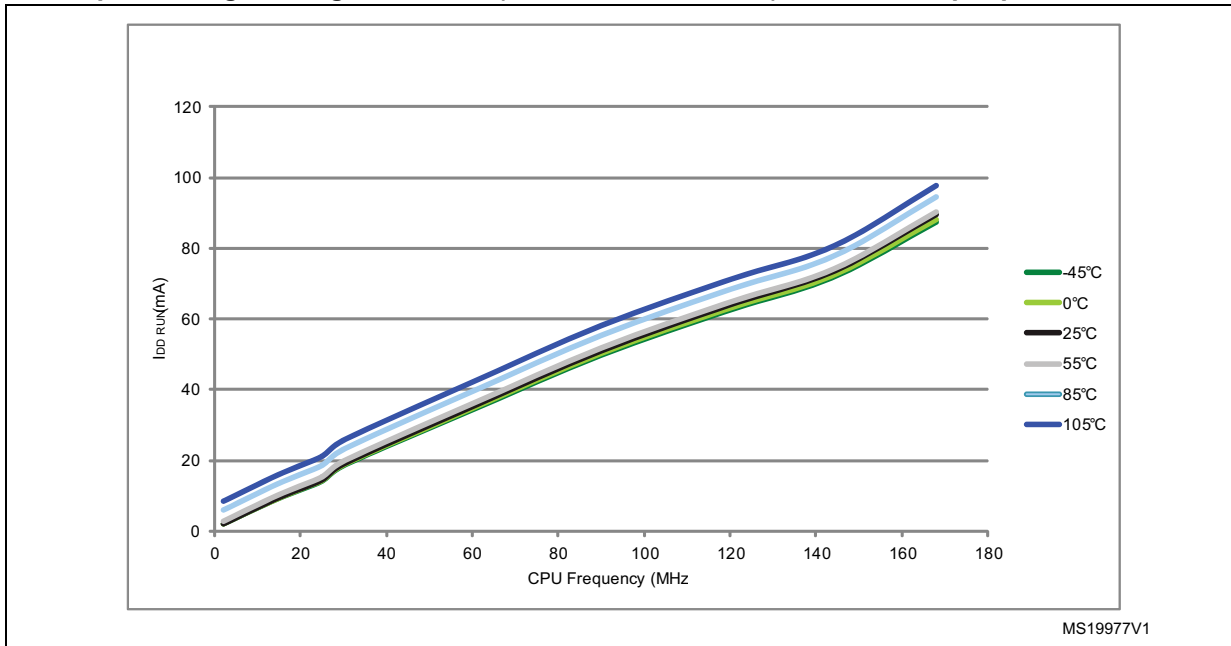


Table 22. Typical and maximum current consumption in Sleep mode

| Symbol          | Parameter                    | Conditions   | f <sub>HCLK</sub> | Typ                    | Max <sup>(1)</sup>     |                         | Unit |
|-----------------|------------------------------|--|-------------------|------------------------|------------------------|-------------------------|------|
|                 |                              |  |                   | T <sub>A</sub> = 25 °C | T <sub>A</sub> = 85 °C | T <sub>A</sub> = 105 °C |      |
| I <sub>DD</sub> | Supply current in Sleep mode | External clock <sup>(2)</sup> , all peripherals enabled <sup>(3)</sup> | 168 MHz           | 59                     | 77                     | 84                      | mA   |
|                 |                              |  | 144 MHz           | 46                     | 61                     | 67                      |      |
|                 |                              |  | 120 MHz           | 38                     | 53                     | 60                      |      |
|                 |                              |  | 90 MHz            | 30                     | 44                     | 51                      |      |
|                 |                              |  | 60 MHz            | 20                     | 34                     | 41                      |      |
|                 |                              |  | 30 MHz            | 11                     | 24                     | 31                      |      |
|                 |                              |  | 25 MHz            | 8                      | 21                     | 28                      |      |
|                 |                              |  | 16 MHz            | 6                      | 18                     | 25                      |      |
|                 |                              |  | 8 MHz             | 3                      | 16                     | 23                      |      |
|                 |                              |  | 4 MHz             | 2                      | 15                     | 22                      |      |
|                 |                              | 2 MHz  | 2                 | 14                     | 21                     |                         |      |
|                 |                              | External clock <sup>(2)</sup> , all peripherals disabled               | 168 MHz           | 12                     | 27                     | 35                      |      |
|                 |                              |  | 144 MHz           | 9                      | 22                     | 29                      |      |
|                 |                              |  | 120 MHz           | 8                      | 20                     | 28                      |      |
|                 |                              |  | 90 MHz            | 7                      | 19                     | 26                      |      |
|                 |                              |  | 60 MHz            | 5                      | 17                     | 24                      |      |
|                 |                              |  | 30 MHz            | 3                      | 16                     | 23                      |      |
|                 |                              |  | 25 MHz            | 2                      | 15                     | 22                      |      |
|                 |                              |  | 16 MHz            | 2                      | 14                     | 21                      |      |
|                 |                              |  | 8 MHz             | 1                      | 14                     | 21                      |      |
| 4 MHz           | 1                            |  | 13                | 21                     |                        |                         |      |
| 2 MHz           | 1                            | 13   | 21                |                        |                        |                         |      |

1. Based on characterization, tested in production at V<sub>DD</sub> max and f<sub>HCLK</sub> max with peripherals enabled.
2. External clock is 4 MHz and PLL is on when f<sub>HCLK</sub> > 25 MHz.
3. Add an additional power consumption of 1.6 mA per ADC for the analog part. In applications, this consumption occurs only while the ADC is ON (ADON bit is set in the ADC\_CR2 register).



**Table 23. Typical and maximum current consumptions in Stop mode**

| Symbol               | Parameter   | Conditions  | Typ                    | Max                    |                        |                         |    | Unit |
|----------------------|---|---|------------------------|------------------------|------------------------|-------------------------|----|------|
|                      |   |   | T <sub>A</sub> = 25 °C | T <sub>A</sub> = 25 °C | T <sub>A</sub> = 85 °C | T <sub>A</sub> = 105 °C |    |      |
| I <sub>DD_STOP</sub> | Supply current in Stop mode with main regulator in Run mode       | Flash in Stop mode, low-speed and high-speed internal RC oscillators and high-speed oscillator OFF (no independent watchdog)            | 0.45                   | 1.5                    | 11.00                  | 20.00                   | mA |      |
|                      |   | Flash in Deep power down mode, low-speed and high-speed internal RC oscillators and high-speed oscillator OFF (no independent watchdog) | 0.40                   | 1.5                    | 11.00                  | 20.00                   |    |      |
|                      | Supply current in Stop mode with main regulator in Low Power mode | Flash in Stop mode, low-speed and high-speed internal RC oscillators and high-speed oscillator OFF (no independent watchdog)            | 0.31                   | 1.1                    | 8.00                   | 15.00                   |    |      |
|                      |   | Flash in Deep power down mode, low-speed and high-speed internal RC oscillators and high-speed oscillator OFF (no independent watchdog) | 0.28                   | 1.1                    | 8.00                   | 15.00                   |    |      |

**Table 24. Typical and maximum current consumptions in Standby mode**

| Symbol               | Parameter                      | Conditions                                       | Typ                     |                         |                         | Max <sup>(1)</sup>      |                         | Unit |
|----------------------|--------------------------------|--|-------------------------|-------------------------|-------------------------|-------------------------|-------------------------|------|
|                      |                                |  | T <sub>A</sub> = 25 °C  |                         |                         | T <sub>A</sub> = 85 °C  | T <sub>A</sub> = 105 °C |      |
|                      |                                |  | V <sub>DD</sub> = 1.8 V | V <sub>DD</sub> = 2.4 V | V <sub>DD</sub> = 3.3 V | V <sub>DD</sub> = 3.6 V |                         |      |
| I <sub>DD_STBY</sub> | Supply current in Standby mode | Backup SRAM ON, low-speed oscillator and RTC ON  | 3.0                     | 3.4                     | 4.0                     | 20                      | 36                      | µA   |
|                      |                                | Backup SRAM OFF, low-speed oscillator and RTC ON | 2.4                     | 2.7                     | 3.3                     | 16                      | 32                      |      |
|                      |                                | Backup SRAM ON, RTC OFF                          | 2.4                     | 2.6                     | 3.0                     | 12.5                    | 24.8                    |      |
|                      |                                | Backup SRAM OFF, RTC OFF                         | 1.7                     | 1.9                     | 2.2                     | 9.8                     | 19.2                    |      |

1. Based on characterization, not tested in production.

Table 25. Typical and maximum current consumptions in V<sub>BAT</sub> mode

| Symbol               | Parameter                    | Conditions                                       | Typ                      |                          |                          | Max <sup>(1)</sup>       |                         | Unit |
|----------------------|------------------------------|--|--------------------------|--------------------------|--------------------------|--------------------------|-------------------------|------|
|                      |                              |  | T <sub>A</sub> = 25 °C   |                          |                          | T <sub>A</sub> = 85 °C   | T <sub>A</sub> = 105 °C |      |
|                      |                              |  | V <sub>BAT</sub> = 1.8 V | V <sub>BAT</sub> = 2.4 V | V <sub>BAT</sub> = 3.3 V | V <sub>BAT</sub> = 3.6 V |                         |      |
| I <sub>DD_VBAT</sub> | Backup domain supply current | Backup SRAM ON, low-speed oscillator and RTC ON  | 1.29                     | 1.42                     | 1.68                     | 6                        | 11                      | μA   |
|                      |                              | Backup SRAM OFF, low-speed oscillator and RTC ON | 0.62                     | 0.73                     | 0.96                     | 3                        | 5                       |      |
|                      |                              | Backup SRAM ON, RTC OFF                          | 0.79                     | 0.81                     | 0.86                     | 5                        | 10                      |      |
|                      |                              | Backup SRAM OFF, RTC OFF                         | 0.10                     | 0.10                     | 0.10                     | 2                        | 4                       |      |

1. Based on characterization, not tested in production.

Figure 28. Typical V<sub>BAT</sub> current consumption (LSE and RTC ON/backup RAM OFF)

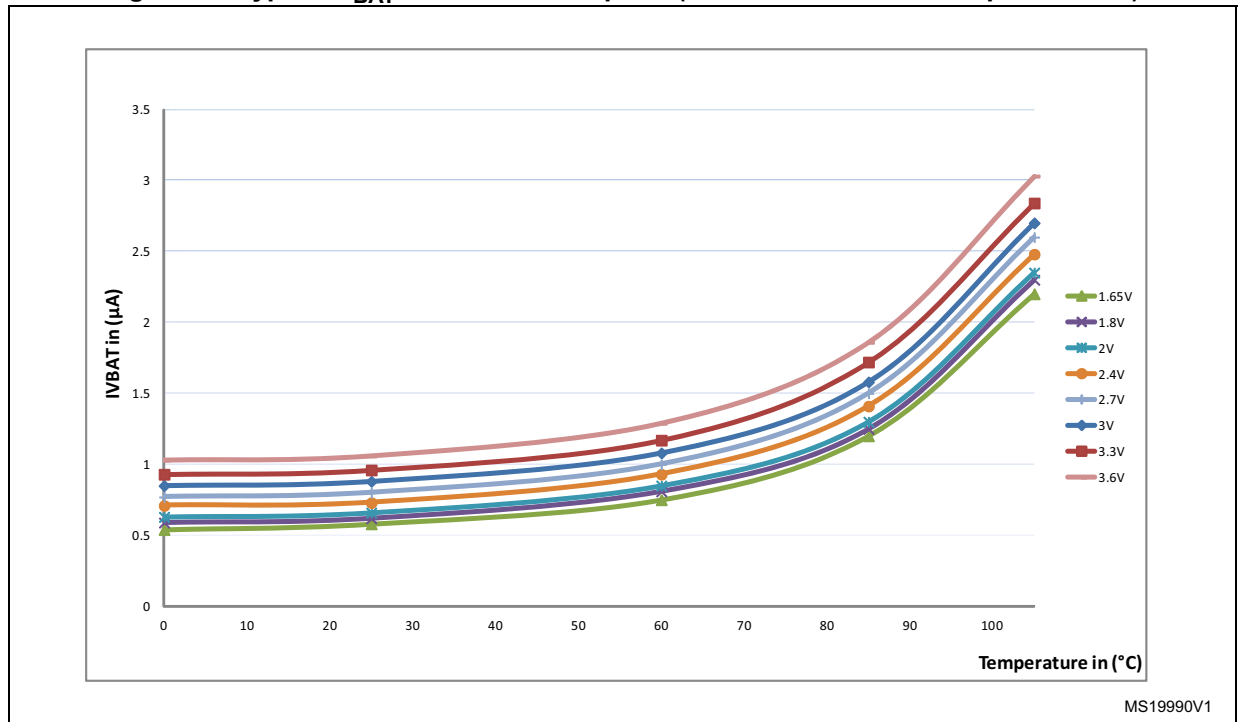
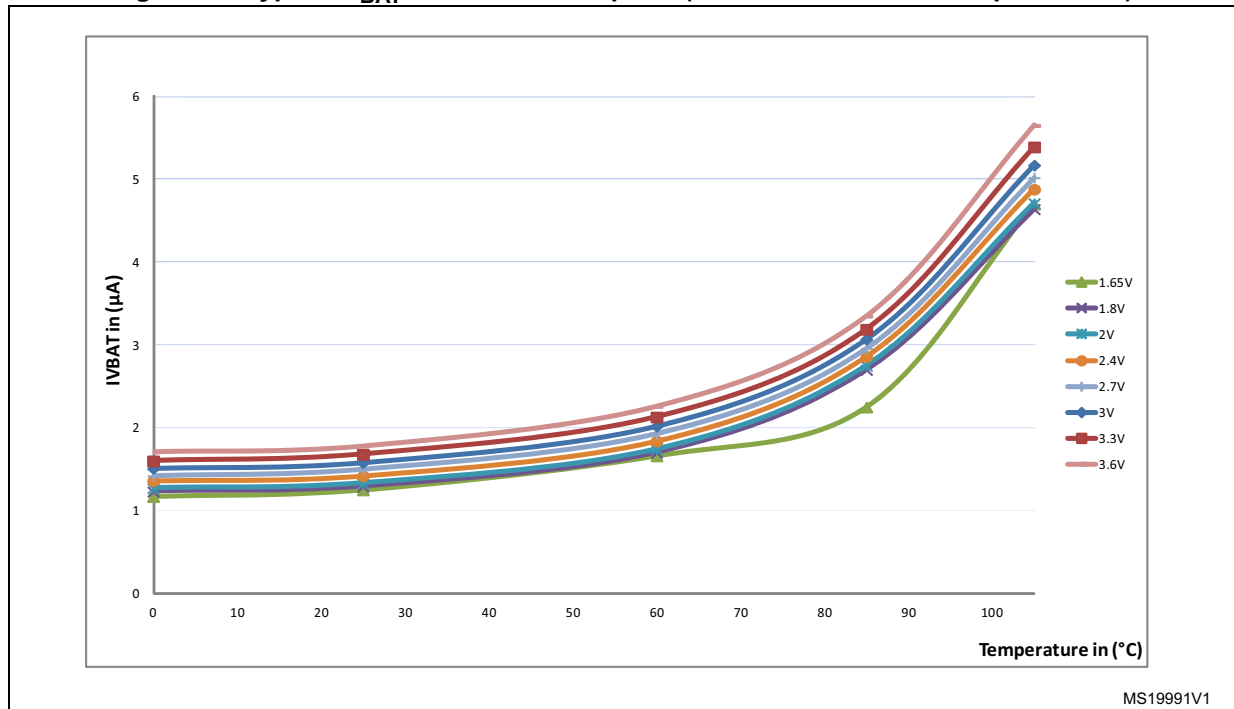


Figure 29. Typical  $V_{BAT}$  current consumption (LSE and RTC ON/backup RAM ON)



**I/O system current consumption**

The current consumption of the I/O system has two components: static and dynamic.

**I/O static current consumption**

All the I/Os used as inputs with pull-up generate current consumption when the pin is externally held low. The value of this current consumption can be simply computed by using the pull-up/pull-down resistors values given in [Table 47: I/O static characteristics](#).

For the output pins, any external pull-down or external load must also be considered to estimate the current consumption.

Additional I/O current consumption is due to I/Os configured as inputs if an intermediate voltage level is externally applied. This current consumption is caused by the input Schmitt trigger circuits used to discriminate the input value. Unless this specific configuration is required by the application, this supply current consumption can be avoided by configuring these I/Os in analog mode. This is notably the case of ADC input pins which should be configured as analog inputs.

**Caution:** Any floating input pin can also settle to an intermediate voltage level or switch inadvertently, as a result of external electromagnetic noise. To avoid current consumption related to floating pins, they must either be configured in analog mode, or forced internally to a definite digital value. This can be done either by using pull-up/down resistors or by configuring the pins in output mode.

**I/O dynamic current consumption**

In addition to the internal peripheral current consumption measured previously (see [Table 27: Peripheral current consumption](#)), the I/Os used by an application also contribute to the current consumption. When an I/O pin switches, it uses the current from the MCU

supply voltage to supply the I/O pin circuitry and to charge/discharge the capacitive load (internal or external) connected to the pin:

$$I_{SW} = V_{DD} \times f_{SW} \times C$$

where

$I_{SW}$  is the current sunk by a switching I/O to charge/discharge the capacitive load

$V_{DD}$  is the MCU supply voltage

$f_{SW}$  is the I/O switching frequency

$C$  is the total capacitance seen by the I/O pin:  $C = C_{INT} + C_{EXT}$

The test pin is configured in push-pull output mode and is toggled by software at a fixed frequency.

Table 26. Switching output I/O current consumption

| Symbol  | Parameter             | Conditions <sup>(1)</sup>   | I/O toggling frequency (f <sub>SW</sub> ) | Typ  | Unit |
|---|-----------------------|---|---|------|------|
| I <sub>DDIO</sub>   | I/O switching current | V <sub>DD</sub> = 3.3 V <sup>(2)</sup><br>C = C <sub>INT</sub>  | 2 MHz                                     | 0.02 | mA   |
|   |                       |   | 8 MHz                                     | 0.14 |      |
|   |                       |   | 25 MHz                                    | 0.51 |      |
|   |                       |   | 50 MHz                                    | 0.86 |      |
|   |                       |   | 60 MHz                                    | 1.30 |      |
|   |                       | V <sub>DD</sub> = 3.3 V<br>C <sub>EXT</sub> = 0 pF<br>C = C <sub>INT</sub> + C <sub>EXT</sub> + C <sub>S</sub>  | 2 MHz                                     | 0.10 |      |
|   |                       |   | 8 MHz                                     | 0.38 |      |
|   |                       |   | 25 MHz                                    | 1.18 |      |
|   |                       |   | 50 MHz                                    | 2.47 |      |
|   |                       |   | 60 MHz                                    | 2.86 |      |
|   |                       | V <sub>DD</sub> = 3.3 V<br>C <sub>EXT</sub> = 10 pF<br>C = C <sub>INT</sub> + C <sub>EXT</sub> + C <sub>S</sub> | 2 MHz                                     | 0.17 |      |
|   |                       |   | 8 MHz                                     | 0.66 |      |
|   |                       |   | 25 MHz                                    | 1.70 |      |
|   |                       |   | 50 MHz                                    | 2.65 |      |
|   |                       |   | 60 MHz                                    | 3.48 |      |
|   |                       | V <sub>DD</sub> = 3.3 V<br>C <sub>EXT</sub> = 22 pF<br>C = C <sub>INT</sub> + C <sub>EXT</sub> + C <sub>S</sub> | 2 MHz                                     | 0.23 |      |
|   |                       |   | 8 MHz                                     | 0.95 |      |
|   |                       |   | 25 MHz                                    | 3.20 |      |
|   |                       |   | 50 MHz                                    | 4.69 |      |
|   |                       |   | 60 MHz                                    | 8.06 |      |
| V <sub>DD</sub> = 3.3 V<br>C <sub>EXT</sub> = 33 pF<br>C = C <sub>INT</sub> + C <sub>EXT</sub> + C <sub>S</sub> | 2 MHz                 | 0.30  |   |      |      |
|   | 8 MHz                 | 1.22  |   |      |      |
|   | 25 MHz                | 3.90  |   |      |      |
|   | 50 MHz                | 8.82  |   |      |      |
|   | 60 MHz                | -( <sup>3</sup> )   |   |      |      |

1. C<sub>S</sub> is the PCB board capacitance including the pad pin. C<sub>S</sub> = 7 pF (estimated value).
2. This test is performed by cutting the LQFP package pin (pad removal).
3. At 60 MHz, C maximum load is specified 30 pF.

**On-chip peripheral current consumption**

The current consumption of the on-chip peripherals is given in [Table 27](#). The MCU is placed under the following conditions:

- At startup, all I/O pins are configured as analog pins by firmware.
- All peripherals are disabled unless otherwise mentioned
- The code is running from Flash memory and the Flash memory access time is equal to 5 wait states at 168 MHz.
- The code is running from Flash memory and the Flash memory access time is equal to 4 wait states at 144 MHz, and the power scale mode is set to 2.
- ART accelerator and Cache off.
- The given value is calculated by measuring the difference of current consumption
  - with all peripherals clocked off
  - with one peripheral clocked on (with only the clock applied)
- When the peripherals are enabled: HCLK is the system clock,  $f_{PCLK1} = f_{HCLK}/4$ , and  $f_{PCLK2} = f_{HCLK}/2$ .
- The typical values are obtained for  $V_{DD} = 3.3\text{ V}$  and  $T_A = 25\text{ }^\circ\text{C}$ , unless otherwise specified.

**Table 27. Peripheral current consumption**

| Peripheral <sup>(1)</sup>                            |               | 168 MHz | 144 MHz | Unit |
|--|---------------|---------|---------|------|
| AHB1   | GPIO A        | 0.49    | 0.36    | mA   |
|  | GPIO B        | 0.45    | 0.33    |      |
|  | GPIO C        | 0.45    | 0.34    |      |
|  | GPIO D        | 0.45    | 0.34    |      |
|  | GPIO E        | 0.47    | 0.35    |      |
|  | GPIO F        | 0.45    | 0.33    |      |
|  | GPIO G        | 0.44    | 0.33    |      |
|  | GPIO H        | 0.45    | 0.34    |      |
|  | GPIO I        | 0.44    | 0.33    |      |
|  | OTG_HS + ULPI | 4.57    | 3.55    |      |
|  | CRC           | 0.07    | 0.06    |      |
|  | BKPSRAM       | 0.11    | 0.08    |      |
|  | DMA1          | 6.15    | 4.75    |      |
|  | DMA2          | 6.24    | 4.8     |      |
| ETH_MAC +<br>ETH_MAC_TX<br>ETH_MAC_RX<br>ETH_MAC_PTP | 3.28          | 2.54    |         |      |
| AHB2   | OTG_FS        | 4.59    | 3.69    | mA   |
|  | DCMI          | 1.04    | 0.80    |      |

**Table 27. Peripheral current consumption (continued)**

| Peripheral <sup>(1)</sup> |                                       | 168 MHz   | 144 MHz   | Unit |
|---------------------------|---------------------------------------|-----------|-----------|------|
| AHB3                      | FSMC                                  | 2.18      | 1.67      | mA   |
| APB1                      | TIM2                                  | 0.80      | 0.61      |      |
|                           | TIM3                                  | 0.58      | 0.44      |      |
|                           | TIM4                                  | 0.62      | 0.48      |      |
|                           | TIM5                                  | 0.79      | 0.61      |      |
|                           | TIM6                                  | 0.15      | 0.11      |      |
|                           | TIM7                                  | 0.16      | 0.12      |      |
|                           | TIM12                                 | 0.33      | 0.26      |      |
|                           | TIM13                                 | 0.27      | 0.21      |      |
|                           | TIM14                                 | 0.27      | 0.21      |      |
|                           | PWR                                   | 0.04      | 0.03      |      |
|                           | USART2                                | 0.17      | 0.13      |      |
|                           | USART3                                | 0.17      | 0.13      |      |
|                           | UART4                                 | 0.17      | 0.13      |      |
|                           | UART5                                 | 0.17      | 0.13      |      |
|                           | I2C1                                  | 0.17      | 0.13      |      |
|                           | I2C2                                  | 0.18      | 0.13      |      |
|                           | I2C3                                  | 0.18      | 0.13      |      |
|                           | SPI2/I2S2 <sup>(2)</sup>              | 0.17/0.16 | 0.13/0.12 |      |
|                           | SPI3/I2S3 <sup>(2)</sup>              | 0.16/0.14 | 0.12/0.12 |      |
|                           | CAN1                                  | 0.27      | 0.21      |      |
|                           | CAN2                                  | 0.26      | 0.20      |      |
|                           | DAC                                   | 0.14      | 0.10      |      |
|                           | DAC channel 1 <sup>(3)</sup>          | 0.91      | 0.89      |      |
|                           | DAC channel 2 <sup>(4)</sup>          | 0.91      | 0.89      |      |
|                           | DAC channel 1 and 2 <sup>(3)(4)</sup> | 1.69      | 1.68      |      |
|                           | WWDG                                  | 0.04      | 0.04      |      |

**Table 27. Peripheral current consumption (continued)**

| Peripheral <sup>(1)</sup> |                     | 168 MHz | 144 MHz | Unit |
|---------------------------|---------------------|---------|---------|------|
| APB2                      | SDIO                | 0.64    | 0.54    | mA   |
|                           | TIM1                | 1.47    | 1.14    |      |
|                           | TIM8                | 1.58    | 1.22    |      |
|                           | TIM9                | 0.68    | 0.54    |      |
|                           | TIM10               | 0.45    | 0.36    |      |
|                           | TIM11               | 0.47    | 0.38    |      |
|                           | ADC1 <sup>(5)</sup> | 2.20    | 2.10    |      |
|                           | ADC2 <sup>(5)</sup> | 2.04    | 1.93    |      |
|                           | ADC3 <sup>(5)</sup> | 2.10    | 2.00    |      |
|                           | SPI1                | 0.14    | 0.12    |      |
|                           | USART1              | 0.34    | 0.27    |      |
|                           | USART6              | 0.34    | 0.28    |      |

1. HSE oscillator with 4 MHz crystal and PLL are ON.
2. I2SMOD bit set in SPI\_I2SCFGR register, and then the I2SE bit set to enable I<sup>2</sup>S peripheral.
3. EN1 bit is set in DAC\_CR register.
4. EN2 bit is set in DAC\_CR register.
5. ADON bit set in ADC\_CR2 register.

### 5.3.7 Wakeup time from low-power mode

The wakeup times given in [Table 28](#) is measured on a wakeup phase with a 16 MHz HSI RC oscillator. The clock source used to wake up the device depends from the current operating mode:

- Stop or Standby mode: the clock source is the RC oscillator
- Sleep mode: the clock source is the clock that was set before entering Sleep mode.

All timings are derived from tests performed under ambient temperature and V<sub>DD</sub> supply voltage conditions summarized in [Table 14](#).

**Table 28. Low-power mode wakeup timings**

| Symbol                                 | Parameter  | Min <sup>(1)</sup> | Typ <sup>(1)</sup> | Max <sup>(1)</sup> | Unit |
|--|--|--------------------|--------------------|--------------------|------|
| t <sub>WUSLEEP</sub> <sup>(2)</sup>    | Wakeup from Sleep mode   | -                  | 1                  | -                  | µs   |
| t <sub>WUSTOP</sub> <sup>(2)</sup>     | Wakeup from Stop mode (regulator in Run mode)  | -                  | 13                 | -                  | µs   |
|  | Wakeup from Stop mode (regulator in low power mode)  | -                  | 17                 | 40                 |      |
|  | Wakeup from Stop mode (regulator in low power mode and Flash memory in Deep power down mode) | -                  | 110                | -                  |      |
| t <sub>WUSTDBY</sub> <sup>(2)(3)</sup> | Wakeup from Standby mode   | 260                | 375                | 480                | µs   |

1. Based on characterization, not tested in production.
2. The wakeup times are measured from the wakeup event to the point in which the application code reads the first instruction.
3. t<sub>WUSTDBY</sub> minimum and maximum values are given at 105 °C and -45 °C, respectively.



### 5.3.8 External clock source characteristics

#### High-speed external user clock generated from an external source

The characteristics given in [Table 29](#) result from tests performed using an high-speed external clock source, and under ambient temperature and supply voltage conditions summarized in [Table 14](#).

**Table 29. High-speed external user clock characteristics**

| Symbol                       | Parameter   | Conditions                       | Min         | Typ | Max         | Unit    |
|------------------------------|---|----------------------------------|-------------|-----|-------------|---------|
| $f_{HSE\_ext}$               | External user clock source frequency <sup>(1)</sup> |                                  | 1           | -   | 50          | MHz     |
| $V_{HSEH}$                   | OSC_IN input pin high level voltage                 |                                  | $0.7V_{DD}$ | -   | $V_{DD}$    | V       |
| $V_{HSEL}$                   | OSC_IN input pin low level voltage                  |                                  | $V_{SS}$    | -   | $0.3V_{DD}$ |         |
| $t_{w(HSE)}$<br>$t_{w(HSE)}$ | OSC_IN high or low time <sup>(1)</sup>              |                                  | 5           | -   | -           | ns      |
| $t_{r(HSE)}$<br>$t_{f(HSE)}$ | OSC_IN rise or fall time <sup>(1)</sup>             |                                  | -           | -   | 10          |         |
| $C_{in(HSE)}$                | OSC_IN input capacitance <sup>(1)</sup>             |                                  | -           | 5   | -           | pF      |
| $DuCy_{(HSE)}$               | Duty cycle  |                                  | 45          | -   | 55          | %       |
| $I_L$                        | OSC_IN Input leakage current                        | $V_{SS} \leq V_{IN} \leq V_{DD}$ | -           | -   | $\pm 1$     | $\mu A$ |

1. Guaranteed by design, not tested in production.

#### Low-speed external user clock generated from an external source

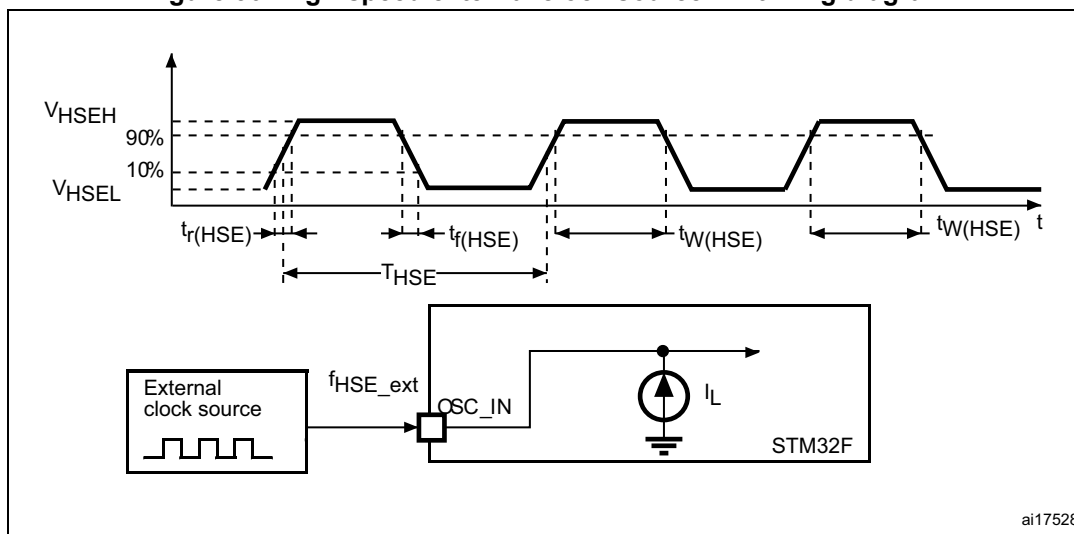
The characteristics given in [Table 30](#) result from tests performed using an low-speed external clock source, and under ambient temperature and supply voltage conditions summarized in [Table 14](#).

**Table 30. Low-speed external user clock characteristics**

| Symbol                       | Parameter   | Conditions                       | Min         | Typ    | Max         | Unit    |
|------------------------------|---|----------------------------------|-------------|--------|-------------|---------|
| $f_{LSE\_ext}$               | User External clock source frequency <sup>(1)</sup> |                                  | -           | 32.768 | 1000        | kHz     |
| $V_{LSEH}$                   | OSC32_IN input pin high level voltage               |                                  | $0.7V_{DD}$ | -      | $V_{DD}$    | V       |
| $V_{LSEL}$                   | OSC32_IN input pin low level voltage                |                                  | $V_{SS}$    | -      | $0.3V_{DD}$ |         |
| $t_{w(LSE)}$<br>$t_{r(LSE)}$ | OSC32_IN high or low time <sup>(1)</sup>            |                                  | 450         | -      | -           | ns      |
| $t_{r(LSE)}$<br>$t_{f(LSE)}$ | OSC32_IN rise or fall time <sup>(1)</sup>           |                                  | -           | -      | 50          |         |
| $C_{in(LSE)}$                | OSC32_IN input capacitance <sup>(1)</sup>           |                                  | -           | 5      | -           | pF      |
| $DuCy_{(LSE)}$               | Duty cycle  |                                  | 30          | -      | 70          | %       |
| $I_L$                        | OSC32_IN Input leakage current                      | $V_{SS} \leq V_{IN} \leq V_{DD}$ | -           | -      | $\pm 1$     | $\mu A$ |

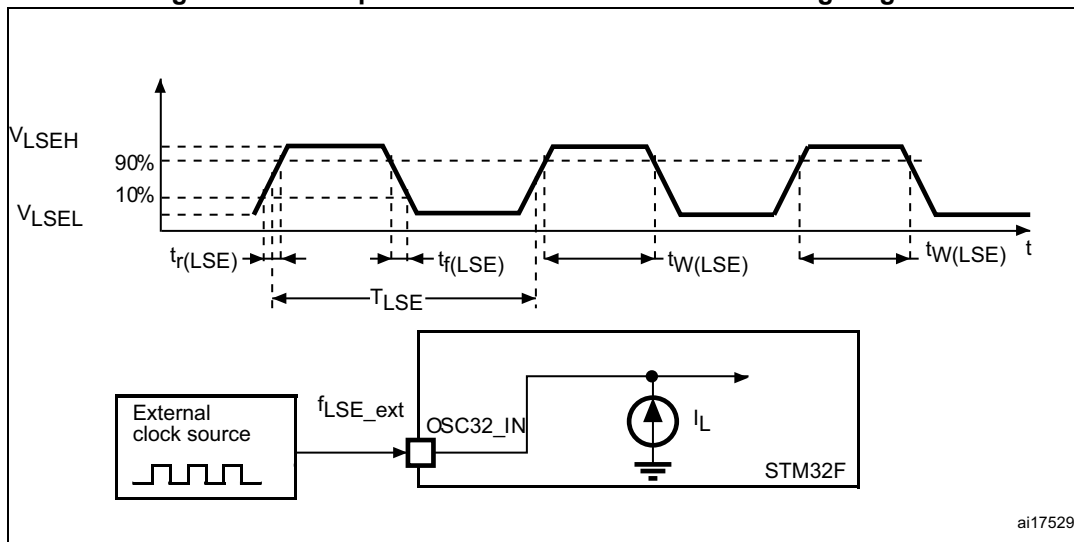
1. Guaranteed by design, not tested in production.

Figure 30. High-speed external clock source AC timing diagram



ai17528

Figure 31. Low-speed external clock source AC timing diagram



ai17529

### High-speed external clock generated from a crystal/ceramic resonator

The high-speed external (HSE) clock can be supplied with a 4 to 26 MHz crystal/ceramic resonator oscillator. All the information given in this paragraph are based on characterization results obtained with typical external components specified in [Table 31](#). In the application, the resonator and the load capacitors have to be placed as close as possible to the oscillator pins in order to minimize output distortion and startup stabilization time. Refer to the crystal resonator manufacturer for more details on the resonator characteristics (frequency, package, accuracy).

**Table 31. HSE 4-26 MHz oscillator characteristics<sup>(1) (2)</sup>**

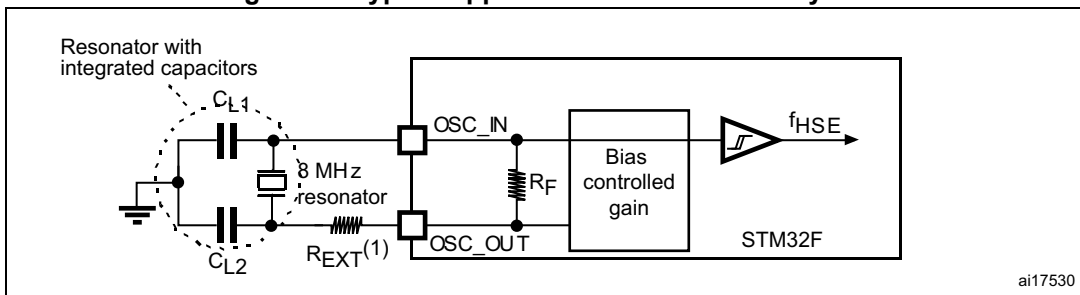
| Symbol              | Parameter                   | Conditions  | Min | Typ | Max | Unit          |
|---------------------|-----------------------------|---|-----|-----|-----|---------------|
| $f_{OSC\_IN}$       | Oscillator frequency        |   | 4   | -   | 26  | MHz           |
| $R_F$               | Feedback resistor           |   | -   | 200 | -   | k $\Omega$    |
| $I_{DD}$            | HSE current consumption     | $V_{DD}=3.3\text{ V}$ ,<br>ESR= 30 $\Omega$ ,<br>$C_L=5\text{ pF}@25\text{ MHz}$  | -   | 449 | -   | $\mu\text{A}$ |
|                     |                             | $V_{DD}=3.3\text{ V}$ ,<br>ESR= 30 $\Omega$ ,<br>$C_L=10\text{ pF}@25\text{ MHz}$ | -   | 532 | -   |               |
| $g_m$               | Oscillator transconductance | Startup   | 5   | -   | -   | mAV           |
| $t_{SU(HSE)}^{(3)}$ | Startup time                | $V_{DD}$ is stabilized  | -   | 2   | -   | ms            |

1. Resonator characteristics given by the crystal/ceramic resonator manufacturer.
2. Based on characterization, not tested in production.
3.  $t_{SU(HSE)}$  is the startup time measured from the moment it is enabled (by software) to a stabilized 8 MHz oscillation is reached. This value is measured for a standard crystal resonator and it can vary significantly with the crystal manufacturer

For  $C_{L1}$  and  $C_{L2}$ , it is recommended to use high-quality external ceramic capacitors in the 5 pF to 25 pF range (typ.), designed for high-frequency applications, and selected to match the requirements of the crystal or resonator (see [Figure 32](#)).  $C_{L1}$  and  $C_{L2}$  are usually the same size. The crystal manufacturer typically specifies a load capacitance which is the series combination of  $C_{L1}$  and  $C_{L2}$ . PCB and MCU pin capacitance must be included (10 pF can be used as a rough estimate of the combined pin and board capacitance) when sizing  $C_{L1}$  and  $C_{L2}$ .

*Note:* For information on electing the crystal, refer to the application note AN2867 “Oscillator design guide for ST microcontrollers” available from the ST website [www.st.com](http://www.st.com).

**Figure 32. Typical application with an 8 MHz crystal**



1.  $R_{EXT}$  value depends on the crystal characteristics.

**Low-speed external clock generated from a crystal/ceramic resonator**

The low-speed external (LSE) clock can be supplied with a 32.768 kHz crystal/ceramic resonator oscillator. All the information given in this paragraph are based on characterization results obtained with typical external components specified in [Table 32](#). In the application, the resonator and the load capacitors have to be placed as close as possible to the oscillator pins in order to minimize output distortion and startup stabilization time. Refer to the crystal resonator manufacturer for more details on the resonator characteristics (frequency, package, accuracy).

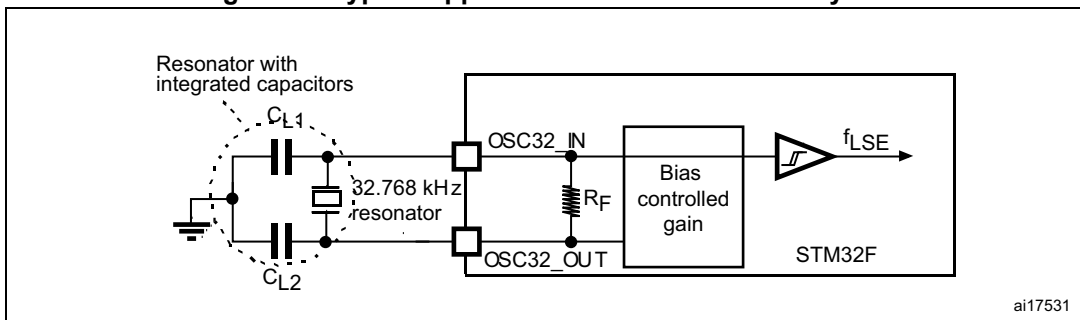
**Table 32. LSE oscillator characteristics ( $f_{LSE} = 32.768 \text{ kHz}$ ) <sup>(1)</sup>**

| Symbol              | Parameter                   | Conditions             | Min | Typ  | Max | Unit      |
|---------------------|-----------------------------|------------------------|-----|------|-----|-----------|
| $R_F$               | Feedback resistor           |                        | -   | 18.4 | -   | $M\Omega$ |
| $I_{DD}$            | LSE current consumption     |                        | -   | -    | 1   | $\mu A$   |
| $g_m$               | Oscillator Transconductance |                        | 2.8 | -    | -   | $\mu A/V$ |
| $t_{SU(LSE)}^{(2)}$ | startup time                | $V_{DD}$ is stabilized | -   | 2    | -   | s         |

1. Guaranteed by design, not tested in production.
2.  $t_{SU(LSE)}$  is the startup time measured from the moment it is enabled (by software) to a stabilized 32.768 kHz oscillation is reached. This value is measured for a standard crystal resonator and it can vary significantly with the crystal manufacturer

*Note:* For information on electing the crystal, refer to the application note AN2867 “Oscillator design guide for ST microcontrollers” available from the ST website [www.st.com](http://www.st.com).

**Figure 33. Typical application with a 32.768 kHz crystal**



### 5.3.9 Internal clock source characteristics

The parameters given in [Table 33](#) and [Table 34](#) are derived from tests performed under ambient temperature and  $V_{DD}$  supply voltage conditions summarized in [Table 14](#).

#### High-speed internal (HSI) RC oscillator

**Table 33. HSI oscillator characteristics <sup>(1)</sup>**

| Symbol              | Parameter                        | Conditions                            | Min  | Typ | Max | Unit    |   |
|---------------------|----------------------------------|---------------------------------------|--|-----|-----|---------|---|
| $f_{HSI}$           | Frequency                        |                                       | -  | 16  | -   | MHz     |   |
| $ACC_{HSI}$         | Accuracy of the HSI oscillator   | User-trimmed with the RCC_CR register | -  | -   | 1   | %       |   |
|                     |                                  | Factory-calibrated                    | $T_A = -40 \text{ to } 105 \text{ }^\circ\text{C}^{(2)}$ | -8  | -   | 4.5     | % |
|                     |                                  |                                       | $T_A = -10 \text{ to } 85 \text{ }^\circ\text{C}^{(2)}$  | -4  | -   | 4       | % |
|                     |                                  | $T_A = 25 \text{ }^\circ\text{C}$     | -1   | -   | 1   | %       |   |
| $t_{su(HSI)}^{(3)}$ | HSI oscillator startup time      |                                       | -  | 2.2 | 4   | $\mu s$ |   |
| $I_{DD(HSI)}$       | HSI oscillator power consumption |                                       | -  | 60  | 80  | $\mu A$ |   |

1.  $V_{DD} = 3.3\text{ V}$ ,  $T_A = -40$  to  $105\text{ °C}$  unless otherwise specified.
2. Based on characterization, not tested in production.
3. Guaranteed by design, not tested in production.

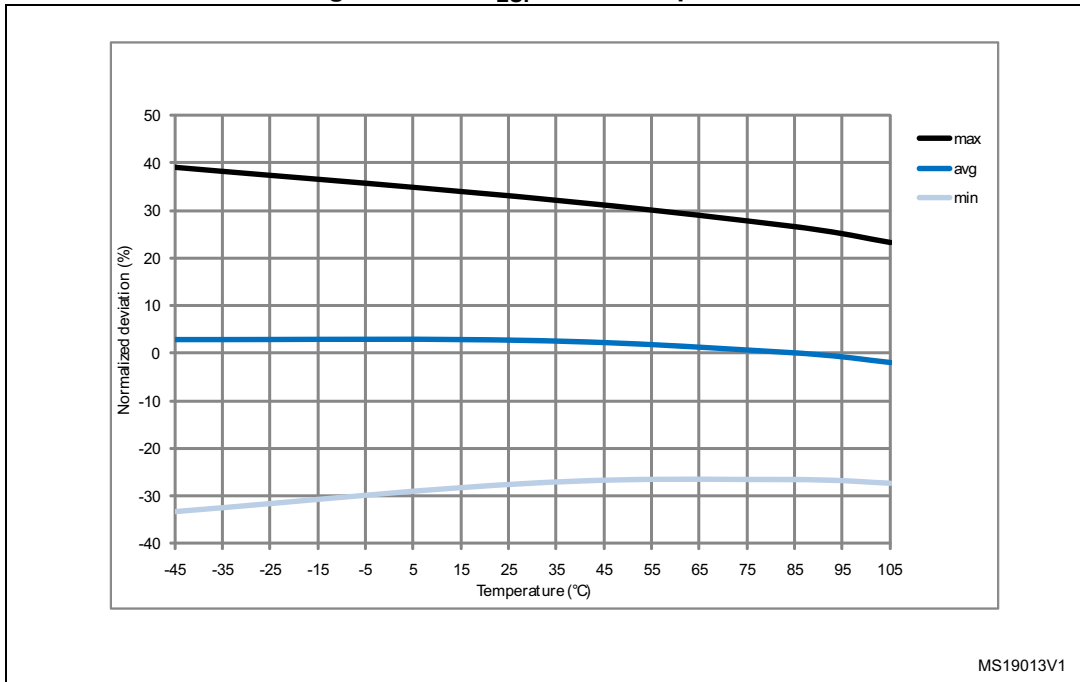
**Low-speed internal (LSI) RC oscillator**

**Table 34. LSI oscillator characteristics (1)**

| Symbol              | Parameter                        | Min | Typ | Max | Unit          |
|---------------------|----------------------------------|-----|-----|-----|---------------|
| $f_{LSI}^{(2)}$     | Frequency                        | 17  | 32  | 47  | kHz           |
| $t_{su(LSI)}^{(3)}$ | LSI oscillator startup time      | -   | 15  | 40  | $\mu\text{s}$ |
| $I_{DD(LSI)}^{(3)}$ | LSI oscillator power consumption | -   | 0.4 | 0.6 | $\mu\text{A}$ |

1.  $V_{DD} = 3\text{ V}$ ,  $T_A = -40$  to  $105\text{ °C}$  unless otherwise specified.
2. Based on characterization, not tested in production.
3. Guaranteed by design, not tested in production.

**Figure 34.  $ACC_{LSI}$  versus temperature**



**5.3.10 PLL characteristics**

The parameters given in [Table 35](#) and [Table 36](#) are derived from tests performed under temperature and  $V_{DD}$  supply voltage conditions summarized in [Table 14](#).

**Table 35. Main PLL characteristics**

| Symbol                               | Parameter                                | Conditions                               | Min                 | Typ | Max  | Unit |    |
|--------------------------------------|--|--|---------------------|-----|------|------|----|
| f <sub>PLL_IN</sub>                  | PLL input clock <sup>(1)</sup>           |  | 0.95 <sup>(2)</sup> | 1   | 2.10 | MHz  |    |
| f <sub>PLL_OUT</sub>                 | PLL multiplier output clock              |  | 24                  | -   | 168  | MHz  |    |
| f <sub>PLL48_OUT</sub>               | 48 MHz PLL multiplier output clock       |  | -                   | 48  | 75   | MHz  |    |
| f <sub>VCO_OUT</sub>                 | PLL VCO output                           |  | 192                 | -   | 432  | MHz  |    |
| t <sub>LOCK</sub>                    | PLL lock time                            | VCO freq = 192 MHz                       | 75                  | -   | 200  | µs   |    |
|                                      |  | VCO freq = 432 MHz                       | 100                 | -   | 300  |      |    |
| Jitter <sup>(3)</sup>                | Cycle-to-cycle jitter                    | System clock<br>120 MHz                  | RMS                 | -   | 25   | -    | ps |
|                                      |  |  | peak to peak        | -   | ±150 | -    |    |
|                                      | Period Jitter                            |  | RMS                 | -   | 15   | -    |    |
|                                      |  |  | peak to peak        | -   | ±200 | -    |    |
|                                      | Main clock output (MCO) for RMI Ethernet | Cycle to cycle at 50 MHz on 1000 samples | -                   | 32  | -    |      |    |
|                                      | Main clock output (MCO) for MII Ethernet | Cycle to cycle at 25 MHz on 1000 samples | -                   | 40  | -    |      |    |
| Bit Time CAN jitter                  | Cycle to cycle at 1 MHz on 1000 samples  | -  | 330                 | -   |      |      |    |
| I <sub>DD(PLL)</sub> <sup>(4)</sup>  | PLL power consumption on VDD             | VCO freq = 192 MHz                       | 0.15                | -   | 0.40 | mA   |    |
|                                      |  | VCO freq = 432 MHz                       | 0.45                | -   | 0.75 |      |    |
| I <sub>DDA(PLL)</sub> <sup>(4)</sup> | PLL power consumption on VDDA            | VCO freq = 192 MHz                       | 0.30                | -   | 0.40 | mA   |    |
|                                      |  | VCO freq = 432 MHz                       | 0.55                | -   | 0.85 |      |    |

1. Take care of using the appropriate division factor M to obtain the specified PLL input clock values. The M factor is shared between PLL and PLLI2S.
2. Guaranteed by design, not tested in production.
3. The use of 2 PLLs in parallel could degraded the Jitter up to +30%.
4. Based on characterization, not tested in production.

**Table 36. PLLI2S (audio PLL) characteristics**

| Symbol                  | Parameter                         | Conditions         | Min                 | Typ | Max  | Unit |
|-------------------------|-----------------------------------|--------------------|---------------------|-----|------|------|
| f <sub>PLLI2S_IN</sub>  | PLLI2S input clock <sup>(1)</sup> |                    | 0.95 <sup>(2)</sup> | 1   | 2.10 | MHz  |
| f <sub>PLLI2S_OUT</sub> | PLLI2S multiplier output clock    |                    | -                   | -   | 216  | MHz  |
| f <sub>VCO_OUT</sub>    | PLLI2S VCO output                 |                    | 192                 | -   | 432  | MHz  |
| t <sub>LOCK</sub>       | PLLI2S lock time                  | VCO freq = 192 MHz | 75                  | -   | 200  | µs   |
|                         |                                   | VCO freq = 432 MHz | 100                 | -   | 300  |      |

**Table 36. PLLI2S (audio PLL) characteristics (continued)**

| Symbol                                  | Parameter                                    | Conditions   | Min          | Typ | Max          | Unit |    |
|---|--|--|--------------|-----|--------------|------|----|
| Jitter <sup>(3)</sup>                   | Master I <sup>2</sup> S clock jitter         | Cycle to cycle at 12.288 MHz on 48KHz period, N=432, R=5             | RMS          | -   | 90           | -    |    |
|   |  |  | peak to peak | -   | ±280         | -    | ps |
|   |  | Average frequency of 12.288 MHz<br>N = 432, R = 5<br>on 1000 samples |              | -   | 90           | -    | ps |
|   | WS I <sup>2</sup> S clock jitter             | Cycle to cycle at 48 KHz on 1000 samples                             | -            | 400 | -            | ps   |    |
| I <sub>DD(PLLI2S)</sub> <sup>(4)</sup>  | PLLI2S power consumption on V <sub>DD</sub>  | VCO freq = 192 MHz<br>VCO freq = 432 MHz                             | 0.15<br>0.45 | -   | 0.40<br>0.75 | mA   |    |
| I <sub>DDA(PLLI2S)</sub> <sup>(4)</sup> | PLLI2S power consumption on V <sub>DDA</sub> | VCO freq = 192 MHz<br>VCO freq = 432 MHz                             | 0.30<br>0.55 | -   | 0.40<br>0.85 | mA   |    |

1. Take care of using the appropriate division factor M to have the specified PLL input clock values.
2. Guaranteed by design, not tested in production.
3. Value given with main PLL running.
4. Based on characterization, not tested in production.

### 5.3.11 PLL spread spectrum clock generation (SSCG) characteristics

The spread spectrum clock generation (SSCG) feature allows to reduce electromagnetic interferences (see [Table 43: EMI characteristics](#)). It is available only on the main PLL.

**Table 37. SSCG parameters constraint**

| Symbol            | Parameter             | Min  | Typ | Max <sup>(1)</sup> | Unit |
|-------------------|-----------------------|------|-----|--------------------|------|
| f <sub>Mod</sub>  | Modulation frequency  | -    | -   | 10                 | KHz  |
| md                | Peak modulation depth | 0.25 | -   | 2                  | %    |
| MODEPER * INCSTEP |                       | -    | -   | 2 <sup>15</sup> -1 | -    |

1. Guaranteed by design, not tested in production.

#### Equation 1

The frequency modulation period (MODEPER) is given by the equation below:

$$\text{MODEPER} = \text{round}[f_{\text{PLL\_IN}} / (4 \times f_{\text{Mod}})]$$

f<sub>PLL\_IN</sub> and f<sub>Mod</sub> must be expressed in Hz.

As an example:

If f<sub>PLL\_IN</sub> = 1 MHz, and f<sub>MOD</sub> = 1 kHz, the modulation depth (MODEPER) is given by equation 1:

$$\text{MODEPER} = \text{round}[10^6 / (4 \times 10^3)] = 250$$

Equation 2

Equation 2 allows to calculate the increment step (INCSTEP):

$$INCSTEP = \text{round}[\frac{(2^{15} - 1) \times md \times PLLN}{100 \times 5 \times MODEPER}]$$

$f_{VCO\_OUT}$  must be expressed in MHz.

With a modulation depth (md) = ±2 % (4 % peak to peak), and PLLN = 240 (in MHz):

$$INCSTEP = \text{round}[\frac{(2^{15} - 1) \times 2 \times 240}{100 \times 5 \times 250}] = 126md(\text{quantitized})\%$$

An amplitude quantization error may be generated because the linear modulation profile is obtained by taking the quantized values (rounded to the nearest integer) of MODPER and INCSTEP. As a result, the achieved modulation depth is quantized. The percentage quantized modulation depth is given by the following formula:

$$md_{\text{quantized}}\% = \frac{MODEPER \times INCSTEP \times 100 \times 5}{(2^{15} - 1) \times PLLN}$$

As a result:

$$md_{\text{quantized}}\% = \frac{250 \times 126 \times 100 \times 5}{(2^{15} - 1) \times 240} = 2.002\%(\text{peak})$$

Figure 35 and Figure 36 show the main PLL output clock waveforms in center spread and down spread modes, where:

- F0 is  $f_{PLL\_OUT}$  nominal.
- $T_{\text{mode}}$  is the modulation period.
- md is the modulation depth.

**Figure 35. PLL output clock waveforms in center spread mode**

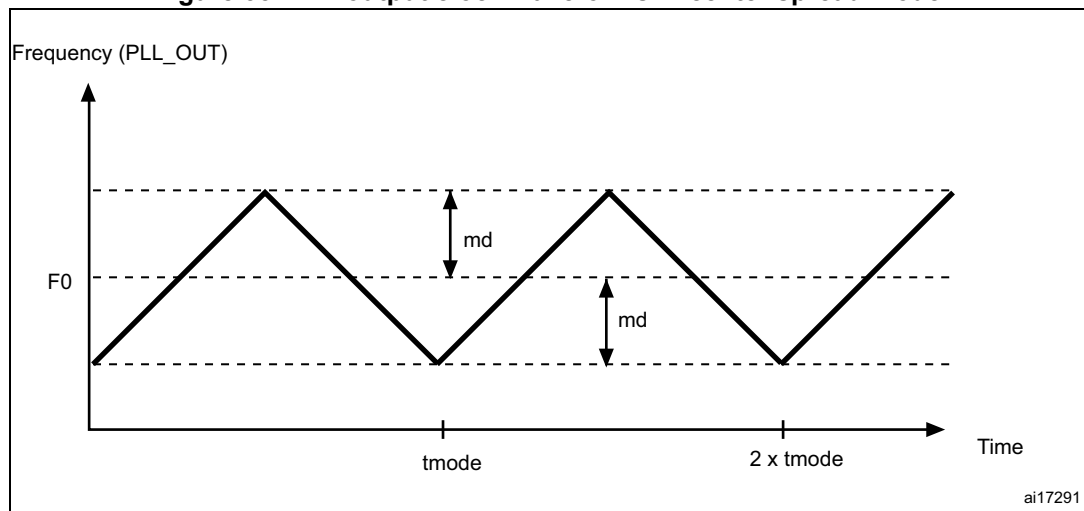
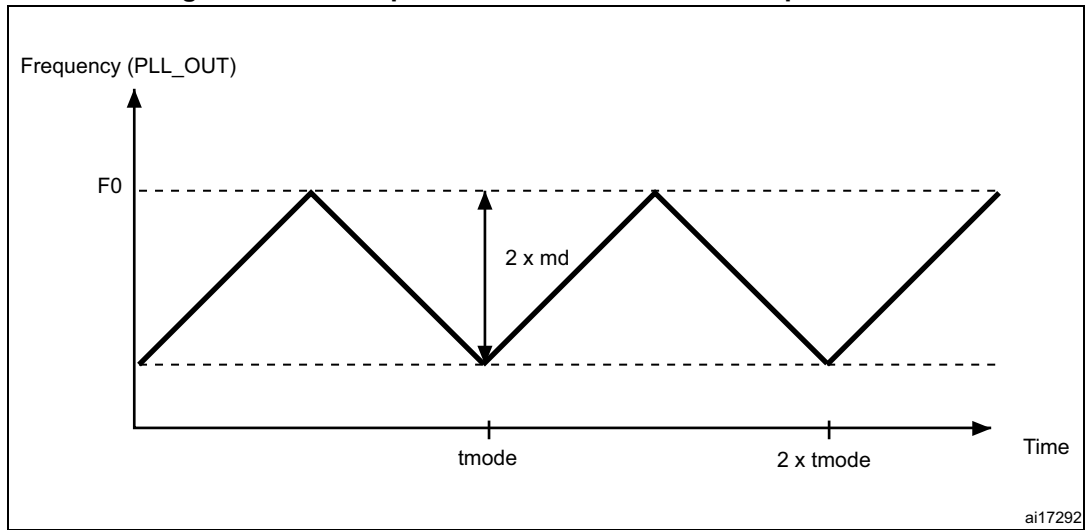




Figure 36. PLL output clock waveforms in down spread mode



### 5.3.12 Memory characteristics

#### Flash memory

The characteristics are given at  $T_A = -40$  to  $105$  °C unless otherwise specified.

The devices are shipped to customers with the Flash memory erased.

Table 38. Flash memory characteristics

| Symbol   | Parameter      | Conditions                                  | Min | Typ | Max | Unit |
|----------|----------------|---|-----|-----|-----|------|
| $I_{DD}$ | Supply current | Write / Erase 8-bit mode, $V_{DD} = 1.8$ V  | -   | 5   | -   | mA   |
|          |                | Write / Erase 16-bit mode, $V_{DD} = 2.1$ V | -   | 8   | -   |      |
|          |                | Write / Erase 32-bit mode, $V_{DD} = 3.3$ V | -   | 12  | -   |      |

Table 39. Flash memory programming

| Symbol          | Parameter                 | Conditions                                    | Min <sup>(1)</sup> | Typ | Max <sup>(1)</sup> | Unit    |
|-----------------|---------------------------|---|--------------------|-----|--------------------|---------|
| $t_{prog}$      | Word programming time     | Program/erase parallelism (PSIZE) = x 8/16/32 | -                  | 16  | 100 <sup>(2)</sup> | $\mu$ s |
| $t_{ERASE16KB}$ | Sector (16 KB) erase time | Program/erase parallelism (PSIZE) = x 8       | -                  | 400 | 800                | ms      |
|                 |                           | Program/erase parallelism (PSIZE) = x 16      | -                  | 300 | 600                |         |
|                 |                           | Program/erase parallelism (PSIZE) = x 32      | -                  | 250 | 500                |         |

**Table 39. Flash memory programming (continued)**

| Symbol                  | Parameter                  | Conditions                               | Min <sup>(1)</sup> | Typ  | Max <sup>(1)</sup> | Unit |
|-------------------------|----------------------------|--|--------------------|------|--------------------|------|
| t <sub>ERASE64KB</sub>  | Sector (64 KB) erase time  | Program/erase parallelism (PSIZE) = x 8  | -                  | 1200 | 2400               | ms   |
|                         |                            | Program/erase parallelism (PSIZE) = x 16 | -                  | 700  | 1400               |      |
|                         |                            | Program/erase parallelism (PSIZE) = x 32 | -                  | 550  | 1100               |      |
| t <sub>ERASE128KB</sub> | Sector (128 KB) erase time | Program/erase parallelism (PSIZE) = x 8  | -                  | 2    | 4                  | s    |
|                         |                            | Program/erase parallelism (PSIZE) = x 16 | -                  | 1.3  | 2.6                |      |
|                         |                            | Program/erase parallelism (PSIZE) = x 32 | -                  | 1    | 2                  |      |
| t <sub>ME</sub>         | Mass erase time            | Program/erase parallelism (PSIZE) = x 8  | -                  | 16   | 32                 | s    |
|                         |                            | Program/erase parallelism (PSIZE) = x 16 | -                  | 11   | 22                 |      |
|                         |                            | Program/erase parallelism (PSIZE) = x 32 | -                  | 8    | 16                 |      |
| V <sub>prog</sub>       | Programming voltage        | 32-bit program operation                 | 2.7                | -    | 3.6                | V    |
|                         |                            | 16-bit program operation                 | 2.1                | -    | 3.6                | V    |
|                         |                            | 8-bit program operation                  | 1.8                | -    | 3.6                | V    |

1. Based on characterization, not tested in production.
2. The maximum programming time is measured after 100K erase operations.

**Table 40. Flash memory programming with V<sub>PP</sub>**

| Symbol                          | Parameter   | Conditions   | Min <sup>(1)</sup> | Typ | Max <sup>(1)</sup> | Unit |
|---------------------------------|---|--|--------------------|-----|--------------------|------|
| t <sub>prog</sub>               | Double word programming                                 | T <sub>A</sub> = 0 to +40 °C<br>V <sub>DD</sub> = 3.3 V<br>V <sub>PP</sub> = 8.5 V | -                  | 16  | 100 <sup>(2)</sup> | µs   |
| t <sub>ERASE16KB</sub>          | Sector (16 KB) erase time                               |  | -                  | 230 | -                  | ms   |
| t <sub>ERASE64KB</sub>          | Sector (64 KB) erase time                               |  | -                  | 490 | -                  |      |
| t <sub>ERASE128KB</sub>         | Sector (128 KB) erase time                              |  | -                  | 875 | -                  |      |
| t <sub>ME</sub>                 | Mass erase time   |  | -                  | 6.9 | -                  | s    |
| V <sub>prog</sub>               | Programming voltage                                     |  | 2.7                | -   | 3.6                | V    |
| V <sub>PP</sub>                 | V <sub>PP</sub> voltage range                           |  | 7                  | -   | 9                  | V    |
| I <sub>PP</sub>                 | Minimum current sunk on the V <sub>PP</sub> pin         |  | 10                 | -   | -                  | mA   |
| t <sub>VPP</sub> <sup>(3)</sup> | Cumulative time during which V <sub>PP</sub> is applied |  | -                  | -   | 1                  | hour |

1. Guaranteed by design, not tested in production.
2. The maximum programming time is measured after 100K erase operations.
3. V<sub>PP</sub> should only be connected during programming/erasing.

**Table 41. Flash memory endurance and data retention**

| Symbol           | Parameter      | Conditions  | Value              | Unit    |
|------------------|----------------|---|--------------------|---------|
|                  |                |   | Min <sup>(1)</sup> |         |
| N <sub>END</sub> | Endurance      | T <sub>A</sub> = -40 to +85 °C (6 suffix versions)<br>T <sub>A</sub> = -40 to +105 °C (7 suffix versions) | 10                 | kcycles |
| t <sub>RET</sub> | Data retention | 1 kcycle <sup>(2)</sup> at T <sub>A</sub> = 85 °C   | 30                 | Years   |
|                  |                | 1 kcycle <sup>(2)</sup> at T <sub>A</sub> = 105 °C  | 10                 |         |
|                  |                | 10 kcycles <sup>(2)</sup> at T <sub>A</sub> = 55 °C   | 20                 |         |

1. Based on characterization, not tested in production.
2. Cycling performed over the whole temperature range.

### 5.3.13 EMC characteristics

Susceptibility tests are performed on a sample basis during device characterization.

#### Functional EMS (electromagnetic susceptibility)

While a simple application is executed on the device (toggling 2 LEDs through I/O ports), the device is stressed by two electromagnetic events until a failure occurs. The failure is indicated by the LEDs:

- **Electrostatic discharge (ESD)** (positive and negative) is applied to all device pins until a functional disturbance occurs. This test is compliant with the IEC 61000-4-2 standard.
- **FTB:** A burst of fast transient voltage (positive and negative) is applied to V<sub>DD</sub> and V<sub>SS</sub> through a 100 pF capacitor, until a functional disturbance occurs. This test is compliant with the IEC 61000-4-4 standard.

A device reset allows normal operations to be resumed.

The test results are given in [Table 42](#). They are based on the EMS levels and classes defined in application note AN1709.

**Table 42. EMS characteristics**

| Symbol     | Parameter   | Conditions   | Level/Class |
|------------|---|--|-------------|
| $V_{FESD}$ | Voltage limits to be applied on any I/O pin to induce a functional disturbance  | $V_{DD} = 3.3\text{ V}$ , LQFP176, $T_A = +25\text{ }^\circ\text{C}$ , $f_{HCLK} = 168\text{ MHz}$ , conforms to IEC 61000-4-2 | 2B          |
| $V_{EFTB}$ | Fast transient voltage burst limits to be applied through 100 pF on $V_{DD}$ and $V_{SS}$ pins to induce a functional disturbance | $V_{DD} = 3.3\text{ V}$ , LQFP176, $T_A = +25\text{ }^\circ\text{C}$ , $f_{HCLK} = 168\text{ MHz}$ , conforms to IEC 61000-4-2 | 4A          |

**Designing hardened software to avoid noise problems**

EMC characterization and optimization are performed at component level with a typical application environment and simplified MCU software. It should be noted that good EMC performance is highly dependent on the user application and the software in particular.

Therefore it is recommended that the user applies EMC software optimization and prequalification tests in relation with the EMC level requested for his application.

Software recommendations

The software flowchart must include the management of runaway conditions such as:

- Corrupted program counter
- Unexpected reset
- Critical Data corruption (control registers...)

Prequalification trials

Most of the common failures (unexpected reset and program counter corruption) can be reproduced by manually forcing a low state on the NRST pin or the Oscillator pins for 1 second.

To complete these trials, ESD stress can be applied directly on the device, over the range of specification values. When unexpected behavior is detected, the software can be hardened to prevent unrecoverable errors occurring (see application note AN1015).

**Electromagnetic Interference (EMI)**

The electromagnetic field emitted by the device are monitored while a simple application, executing EEMBC<sup>?</sup> code, is running. This emission test is compliant with SAE IEC61967-2 standard which specifies the test board and the pin loading.

**Table 43. EMI characteristics**

| Symbol           | Parameter  | Conditions  | Monitored frequency band | Max vs. [f <sub>HSE</sub> /f <sub>CPU</sub> ] | Unit |
|------------------|------------|---|--------------------------|---|------|
|                  |            |   |                          | 25/168 MHz                                    |      |
| S <sub>EMI</sub> | Peak level | V <sub>DD</sub> = 3.3 V, T <sub>A</sub> = 25 °C, LQFP176 package, conforming to SAE J1752/3 EEMBC, code running from Flash with ART accelerator enabled                         | 0.1 to 30 MHz            | 32  | dBµV |
|                  |            |   | 30 to 130 MHz            | 25  |      |
|                  |            |   | 130 MHz to 1GHz          | 29  |      |
|                  |            |   | SAE EMI Level            | 4   | -    |
|                  |            | V <sub>DD</sub> = 3.3 V, T <sub>A</sub> = 25 °C, LQFP176 package, conforming to SAE J1752/3 EEMBC, code running from Flash with ART accelerator and PLL spread spectrum enabled | 0.1 to 30 MHz            | 19  | dBµV |
|                  |            |   | 30 to 130 MHz            | 16  |      |
|                  |            |   | 130 MHz to 1GHz          | 18  |      |
|                  |            |   | SAE EMI level            | 3.5   | -    |

**5.3.14 Absolute maximum ratings (electrical sensitivity)**

Based on three different tests (ESD, LU) using specific measurement methods, the device is stressed in order to determine its performance in terms of electrical sensitivity.

**Electrostatic discharge (ESD)**

Electrostatic discharges (a positive then a negative pulse separated by 1 second) are applied to the pins of each sample according to each pin combination. The sample size depends on the number of supply pins in the device (3 parts × (n+1) supply pins). This test conforms to the JESD22-A114/C101 standard.

**Table 44. ESD absolute maximum ratings**

| Symbol                | Ratings   | Conditions  | Class | Maximum value <sup>(1)</sup> | Unit |
|-----------------------|---|---|-------|------------------------------|------|
| V <sub>ESD(HBM)</sub> | Electrostatic discharge voltage (human body model)    | T <sub>A</sub> = +25 °C conforming to JESD22-A114 | 2     | 2000 <sup>(2)</sup>          | V    |
| V <sub>ESD(CDM)</sub> | Electrostatic discharge voltage (charge device model) | T <sub>A</sub> = +25 °C conforming to JESD22-C101 | II    | 500                          |      |

1. Based on characterization results, not tested in production.

2. On V<sub>BAT</sub> pin, V<sub>ESD(HBM)</sub> is limited to 1000 V.

**Static latchup**

Two complementary static tests are required on six parts to assess the latchup performance:

- A supply overvoltage is applied to each power supply pin
- A current injection is applied to each input, output and configurable I/O pin

These tests are compliant with EIA/JESD 78A IC latchup standard.

**Table 45. Electrical sensitivities**

| Symbol | Parameter             | Conditions                                     | Class      |
|--------|-----------------------|--|------------|
| LU     | Static latch-up class | T <sub>A</sub> = +105 °C conforming to JESD78A | II level A |

### 5.3.15 I/O current injection characteristics

As a general rule, current injection to the I/O pins, due to external voltage below V<sub>SS</sub> or above V<sub>DD</sub> (for standard, 3 V-capable I/O pins) should be avoided during normal product operation. However, in order to give an indication of the robustness of the microcontroller in cases when abnormal injection accidentally happens, susceptibility tests are performed on a sample basis during device characterization.

#### Functional susceptibility to I/O current injection

While a simple application is executed on the device, the device is stressed by injecting current into the I/O pins programmed in floating input mode. While current is injected into the I/O pin, one at a time, the device is checked for functional failures.

The failure is indicated by an out of range parameter: ADC error above a certain limit (>5 LSB TUE), out of conventional limits of induced leakage current on adjacent pins (out of 5 uA/+0 uA range), or other functional failure (for example reset, oscillator frequency deviation).

Negative induced leakage current is caused by negative injection and positive induced leakage current by positive injection.

The test results are given in [Table 46](#).

**Table 46. I/O current injection susceptibility**

| Symbol                          | Description                       | Functional susceptibility |                    | Unit |
|---------------------------------|-----------------------------------|---------------------------|--------------------|------|
|                                 |                                   | Negative injection        | Positive injection |      |
| I <sub>INJ</sub> <sup>(1)</sup> | Injected current on all FT pins   | -5                        | +0                 | mA   |
|                                 | Injected current on any other pin | -5                        | +5                 |      |

1. It is recommended to add a Schottky diode (pin to ground) to analog pins which may potentially inject negative currents.

### 5.3.16 I/O port characteristics

#### General input/output characteristics

Unless otherwise specified, the parameters given in [Table 47](#) are derived from tests performed under the conditions summarized in [Table 14](#). All I/Os are CMOS and TTL compliant.

Table 47. I/O static characteristics

| Symbol         | Parameter   |                                   | Conditions   | Min                | Typ | Max         | Unit          |
|----------------|---|-----------------------------------|--|--------------------|-----|-------------|---------------|
| $V_{IL}$       | Input low level voltage                                 |                                   | TTL ports<br>$2.7\text{ V} \leq V_{DD} \leq 3.6\text{ V}$  | -                  | -   | 0.8         | V             |
| $V_{IH}^{(1)}$ | Input high level voltage                                |                                   |  | 2.0                | -   | -           |               |
| $V_{IL}$       | Input low level voltage                                 |                                   | CMOS ports<br>$1.8\text{ V} \leq V_{DD} \leq 3.6\text{ V}$ | -                  | -   | $0.3V_{DD}$ |               |
| $V_{IH}^{(1)}$ | Input high level voltage                                |                                   |  | $0.7V_{DD}$        | -   | -           |               |
| $V_{hys}$      | I/O Schmitt trigger voltage hysteresis <sup>(2)</sup>   |                                   |  | -                  | 200 | -           | mV            |
|                | IO FT Schmitt trigger voltage hysteresis <sup>(2)</sup> |                                   |  | $5\% V_{DD}^{(3)}$ | -   | -           |               |
| $I_{lkg}$      | I/O input leakage current <sup>(4)</sup>                |                                   | $V_{SS} \leq V_{IN} \leq V_{DD}$                           | -                  | -   | $\pm 1$     | $\mu\text{A}$ |
|                | I/O FT input leakage current <sup>(4)</sup>             |                                   | $V_{IN} = 5\text{ V}$                                      | -                  | -   | 3           |               |
| $R_{PU}$       | Weak pull-up equivalent resistor <sup>(5)</sup>         | All pins except for PA10 and PB12 | $V_{IN} = V_{SS}$  | 30                 | 40  | 50          | k $\Omega$    |
|                |   | PA10 and PB12                     |  | 8                  | 11  | 15          |               |
| $R_{PD}$       | Weak pull-down equivalent resistor                      | All pins except for PA10 and PB12 | $V_{IN} = V_{DD}$  | 30                 | 40  | 50          |               |
|                |   | PA10 and PB12                     |  | 8                  | 11  | 15          |               |
| $C_{IO}^{(6)}$ | I/O pin capacitance                                     |                                   |  |                    | 5   |             | pF            |

1. Tested in production.
2. Hysteresis voltage between Schmitt trigger switching levels. Based on characterization, not tested in production.
3. With a minimum of 100 mV.
4. Leakage could be higher than the maximum value, if negative current is injected on adjacent pins.
5. Pull-up and pull-down resistors are designed with a true resistance in series with a switchable PMOS/NMOS. This MOS/NMOS contribution to the series resistance is minimum (~10% order).
6. Guaranteed by design, not tested in production.

All I/Os are CMOS and TTL compliant (no software configuration required). Their characteristics cover more than the strict CMOS-technology or TTL parameters.

### Output driving current

The GPIOs (general purpose input/outputs) can sink or source up to  $\pm 8\text{ mA}$ , and sink or source up to  $\pm 20\text{ mA}$  (with a relaxed  $V_{OL}/V_{OH}$ ) except PC13, PC14 and PC15 which can sink or source up to  $\pm 3\text{mA}$ . When using the PC13 to PC15 GPIOs in output mode, the speed should not exceed 2 MHz with a maximum load of 30 pF.

In the user application, the number of I/O pins which can drive current must be limited to respect the absolute maximum rating specified in [Section 5.2](#). In particular:

- The sum of the currents sourced by all the I/Os on  $V_{DD}$ , plus the maximum Run consumption of the MCU sourced on  $V_{DD}$ , cannot exceed the absolute maximum rating  $I_{VDD}$  (see [Table 12](#)).
- The sum of the currents sunk by all the I/Os on  $V_{SS}$  plus the maximum Run consumption of the MCU sunk on  $V_{SS}$  cannot exceed the absolute maximum rating  $I_{VSS}$  (see [Table 12](#)).

### Output voltage levels

Unless otherwise specified, the parameters given in [Table 48](#) are derived from tests performed under ambient temperature and  $V_{DD}$  supply voltage conditions summarized in [Table 14](#). All I/Os are CMOS and TTL compliant.

**Table 48. Output voltage characteristics<sup>(1)</sup>**

| Symbol            | Parameter   | Conditions  | Min          | Max | Unit |
|-------------------|---|---|--------------|-----|------|
| $V_{OL}^{(2)}$    | Output low level voltage for an I/O pin when 8 pins are sunk at same time     | CMOS port<br>$I_{IO} = +8 \text{ mA}$<br>$2.7 \text{ V} < V_{DD} < 3.6 \text{ V}$ | -            | 0.4 | V    |
| $V_{OH}^{(3)}$    | Output high level voltage for an I/O pin when 8 pins are sourced at same time |   | $V_{DD}-0.4$ | -   |      |
| $V_{OL}^{(2)}$    | Output low level voltage for an I/O pin when 8 pins are sunk at same time     | TTL port<br>$I_{IO} = +8 \text{ mA}$<br>$2.7 \text{ V} < V_{DD} < 3.6 \text{ V}$  | -            | 0.4 | V    |
| $V_{OH}^{(3)}$    | Output high level voltage for an I/O pin when 8 pins are sourced at same time |   | 2.4          | -   |      |
| $V_{OL}^{(2)(4)}$ | Output low level voltage for an I/O pin when 8 pins are sunk at same time     | $I_{IO} = +20 \text{ mA}$<br>$2.7 \text{ V} < V_{DD} < 3.6 \text{ V}$             | -            | 1.3 | V    |
| $V_{OH}^{(3)(4)}$ | Output high level voltage for an I/O pin when 8 pins are sourced at same time |   | $V_{DD}-1.3$ | -   |      |
| $V_{OL}^{(2)(4)}$ | Output low level voltage for an I/O pin when 8 pins are sunk at same time     | $I_{IO} = +6 \text{ mA}$<br>$2 \text{ V} < V_{DD} < 2.7 \text{ V}$                | -            | 0.4 | V    |
| $V_{OH}^{(3)(4)}$ | Output high level voltage for an I/O pin when 8 pins are sourced at same time |   | $V_{DD}-0.4$ | -   |      |

1. PC13, PC14, PC15 and PI8 are supplied through the power switch. Since the switch only sinks a limited amount of current (3 mA), the use of GPIOs PC13 to PC15 and PI8 in output mode is limited: the speed should not exceed 2 MHz with a maximum load of 30 pF and these I/Os must not be used as a current source (e.g. to drive an LED).
2. The  $I_{IO}$  current sunk by the device must always respect the absolute maximum rating specified in [Table 12](#) and the sum of  $I_{IO}$  (I/O ports and control pins) must not exceed  $I_{VSS}$ .
3. The  $I_{IO}$  current sourced by the device must always respect the absolute maximum rating specified in [Table 12](#) and the sum of  $I_{IO}$  (I/O ports and control pins) must not exceed  $I_{VDD}$ .
4. Based on characterization data, not tested in production.

### Input/output AC characteristics

The definition and values of input/output AC characteristics are given in [Figure 37](#) and [Table 49](#), respectively.



Unless otherwise specified, the parameters given in [Table 49](#) are derived from tests performed under the ambient temperature and  $V_{DD}$  supply voltage conditions summarized in [Table 14](#).

**Table 49. I/O AC characteristics<sup>(1)(2)(3)</sup>**

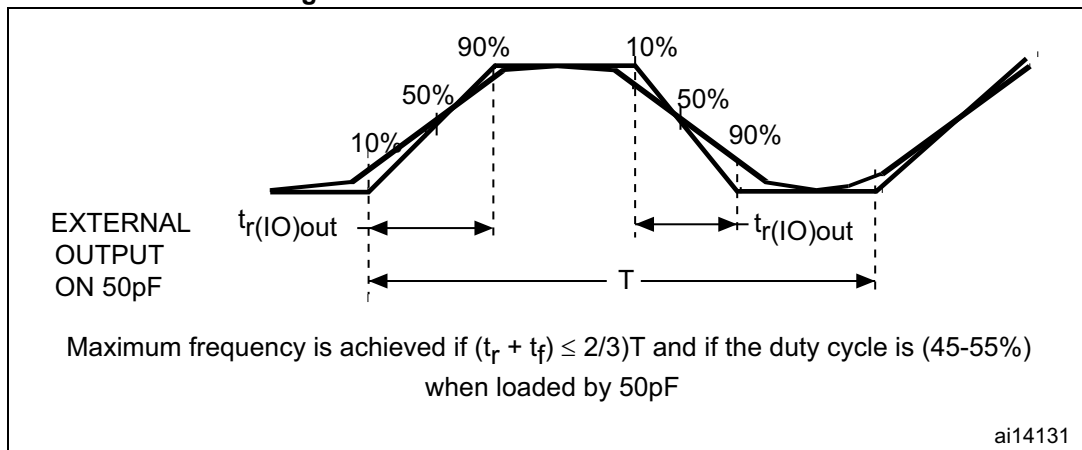
| OSPEEDRy<br>[1:0] bit<br>value <sup>(1)</sup> | Symbol                             | Parameter                                       | Conditions   | Min | Typ | Max                 | Unit |
|---|------------------------------------|---|--|-----|-----|---------------------|------|
| 00  | f <sub>max(IO)out</sub>            | Maximum frequency <sup>(4)</sup>                | C <sub>L</sub> = 50 pF, V <sub>DD</sub> > 2.70 V         | -   | -   | 2                   | MHz  |
|   |                                    |   | C <sub>L</sub> = 50 pF, V <sub>DD</sub> > 1.8 V          | -   | -   | 2                   |      |
|   |                                    |   | C <sub>L</sub> = 10 pF, V <sub>DD</sub> > 2.70 V         | -   | -   | TBD                 |      |
|   |                                    |   | C <sub>L</sub> = 10 pF, V <sub>DD</sub> > 1.8 V          | -   | -   | TBD                 |      |
|   | t <sub>r(IO)out</sub>              | Output high to low level fall time              | C <sub>L</sub> = 50 pF, V <sub>DD</sub> = 1.8 V to 3.6 V | -   | -   | TBD                 | ns   |
| t <sub>r(IO)out</sub>                         | Output low to high level rise time | -   |  | -   | TBD |                     |      |
| 01  | f <sub>max(IO)out</sub>            | Maximum frequency <sup>(4)</sup>                | C <sub>L</sub> = 50 pF, V <sub>DD</sub> > 2.70 V         | -   | -   | 25                  | MHz  |
|   |                                    |   | C <sub>L</sub> = 50 pF, V <sub>DD</sub> > 1.8 V          | -   | -   | 12.5 <sup>(5)</sup> |      |
|   |                                    |   | C <sub>L</sub> = 10 pF, V <sub>DD</sub> > 2.70 V         | -   | -   | 50 <sup>(5)</sup>   |      |
|   |                                    |   | C <sub>L</sub> = 10 pF, V <sub>DD</sub> > 1.8 V          | -   | -   | TBD                 |      |
|   | t <sub>r(IO)out</sub>              | Output high to low level fall time              | C <sub>L</sub> = 50 pF, V <sub>DD</sub> < 2.7 V          | -   | -   | TBD                 | ns   |
|   |                                    |   | C <sub>L</sub> = 10 pF, V <sub>DD</sub> > 2.7 V          | -   | -   | TBD                 |      |
| t <sub>r(IO)out</sub>                         | Output low to high level rise time | C <sub>L</sub> = 50 pF, V <sub>DD</sub> < 2.7 V | -  | -   | TBD | ns                  |      |
|   |                                    | C <sub>L</sub> = 10 pF, V <sub>DD</sub> > 2.7 V | -  | -   | TBD |                     |      |
| 10  | f <sub>max(IO)out</sub>            | Maximum frequency <sup>(4)</sup>                | C <sub>L</sub> = 40 pF, V <sub>DD</sub> > 2.70 V         | -   | -   | 50 <sup>(5)</sup>   | MHz  |
|   |                                    |   | C <sub>L</sub> = 40 pF, V <sub>DD</sub> > 1.8 V          | -   | -   | 25                  |      |
|   |                                    |   | C <sub>L</sub> = 10 pF, V <sub>DD</sub> > 2.70 V         | -   | -   | 100 <sup>(5)</sup>  |      |
|   |                                    |   | C <sub>L</sub> = 10 pF, V <sub>DD</sub> > 1.8 V          | -   | -   | TBD                 |      |
|   | t <sub>r(IO)out</sub>              | Output high to low level fall time              | C <sub>L</sub> = 50 pF, 2.4 < V <sub>DD</sub> < 2.7 V    | -   | -   | TBD                 | ns   |
|   |                                    |   | C <sub>L</sub> = 10 pF, V <sub>DD</sub> > 2.7 V          | -   | -   | TBD                 |      |
|   | t <sub>r(IO)out</sub>              | Output low to high level rise time              | C <sub>L</sub> = 50 pF, 2.4 < V <sub>DD</sub> < 2.7 V    | -   | -   | TBD                 | ns   |
|   |                                    |   | C <sub>L</sub> = 10 pF, V <sub>DD</sub> > 2.7 V          | -   | -   | TBD                 |      |

Table 49. I/O AC characteristics<sup>(1)(2)(3)</sup> (continued)

| OSPEEDRy [1:0] bit value <sup>(1)</sup> | Symbol                          | Parameter   | Conditions  | Min | Typ | Max                | Unit |
|---|---------------------------------|---|---|-----|-----|--------------------|------|
| 11                                      | $F_{\max(\text{IO})\text{out}}$ | Maximum frequency <sup>(4)</sup>                                | $C_L = 30 \text{ pF}, V_{DD} > 2.70 \text{ V}$      | -   | -   | 100 <sup>(5)</sup> | MHz  |
|   |                                 |   | $C_L = 30 \text{ pF}, V_{DD} > 1.8 \text{ V}$       | -   | -   | 50 <sup>(5)</sup>  |      |
|   |                                 |   | $C_L = 10 \text{ pF}, V_{DD} > 2.70 \text{ V}$      | -   | -   | 200 <sup>(5)</sup> |      |
|   |                                 |   | $C_L = 10 \text{ pF}, V_{DD} > 1.8 \text{ V}$       | -   | -   | TBD                |      |
|   | $t_{r(\text{IO})\text{out}}$    | Output high to low level fall time                              | $C_L = 20 \text{ pF}, 2.4 < V_{DD} < 2.7 \text{ V}$ | -   | -   | TBD                | ns   |
|   |                                 |   | $C_L = 10 \text{ pF}, V_{DD} > 2.7 \text{ V}$       | -   | -   | TBD                |      |
|   | $t_{r(\text{IO})\text{out}}$    | Output low to high level rise time                              | $C_L = 20 \text{ pF}, 2.4 < V_{DD} < 2.7 \text{ V}$ | -   | -   | TBD                | ns   |
|   |                                 |   | $C_L = 10 \text{ pF}, V_{DD} > 2.7 \text{ V}$       | -   | -   | TBD                |      |
| -                                       | $t_{\text{EXTI}pw}$             | Pulse width of external signals detected by the EXTI controller |   | 10  | -   | -                  | ns   |

1. Based on characterization data, not tested in production.
2. The I/O speed is configured using the OSPEEDRy[1:0] bits. Refer to the STM32F20/21xxx reference manual for a description of the GPIOx\_SPEEDR GPIO port output speed register.
3. TBD stands for “to be defined”.
4. The maximum frequency is defined in [Figure 37](#).
5. For maximum frequencies above 50 MHz, the compensation cell should be used.

Figure 37. I/O AC characteristics definition



### 5.3.17 NRST pin characteristics

The NRST pin input driver uses CMOS technology. It is connected to a permanent pull-up resistor,  $R_{PU}$  (see [Table 47](#)).

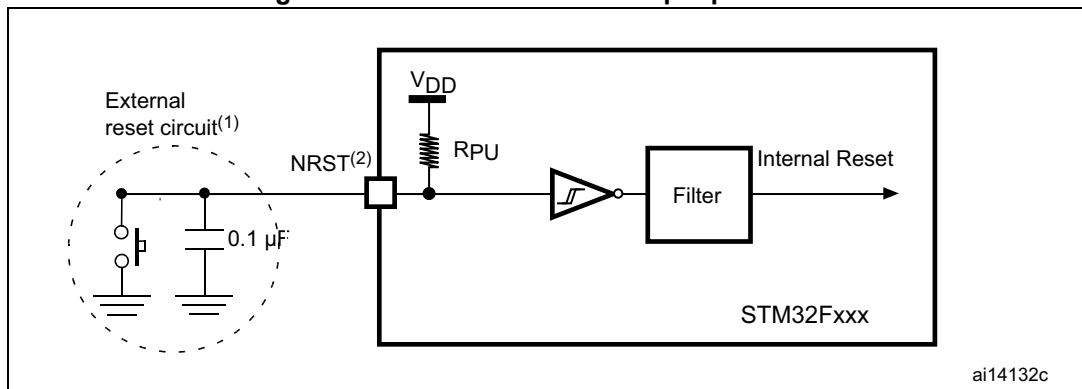
Unless otherwise specified, the parameters given in [Table 50](#) are derived from tests performed under the ambient temperature and  $V_{DD}$  supply voltage conditions summarized in [Table 14](#).

Table 50. NRST pin characteristics

| Symbol               | Parameter                                       | Conditions   | Min         | Typ | Max         | Unit          |
|----------------------|---|--|-------------|-----|-------------|---------------|
| $V_{IL(NRST)}^{(1)}$ | NRST Input low level voltage                    | TTL ports<br>$2.7\text{ V} \leq V_{DD} \leq 3.6\text{ V}$  | -           | -   | 0.8         | V             |
| $V_{IH(NRST)}^{(1)}$ | NRST Input high level voltage                   |  | 2           | -   | -           |               |
| $V_{IL(NRST)}^{(1)}$ | NRST Input low level voltage                    | CMOS ports<br>$1.8\text{ V} \leq V_{DD} \leq 3.6\text{ V}$ | -           | -   | $0.3V_{DD}$ |               |
| $V_{IH(NRST)}^{(1)}$ | NRST Input high level voltage                   |  | $0.7V_{DD}$ | -   | -           |               |
| $V_{hys(NRST)}$      | NRST Schmitt trigger voltage hysteresis         |  | -           | 200 | -           | mV            |
| $R_{PU}$             | Weak pull-up equivalent resistor <sup>(2)</sup> | $V_{IN} = V_{SS}$  | 30          | 40  | 50          | k $\Omega$    |
| $V_{F(NRST)}^{(1)}$  | NRST Input filtered pulse                       |  | -           | -   | 100         | ns            |
| $V_{NF(NRST)}^{(1)}$ | NRST Input not filtered pulse                   | $V_{DD} > 2.7\text{ V}$                                    | 300         | -   | -           | ns            |
| $T_{NRST\_OUT}$      | Generated reset pulse duration                  | Internal Reset source                                      | 20          | -   | -           | $\mu\text{s}$ |

1. Guaranteed by design, not tested in production.
2. The pull-up is designed with a true resistance in series with a switchable PMOS. This PMOS contribution to the series resistance must be minimum (~10% order).

Figure 38. Recommended NRST pin protection



1. The reset network protects the device against parasitic resets.
2. The user must ensure that the level on the NRST pin can go below the  $V_{IL(NRST)}$  max level specified in [Table 50](#). Otherwise the reset is not taken into account by the device.

### 5.3.18 TIM timer characteristics

The parameters given in [Table 51](#) and [Table 52](#) are guaranteed by design.

Refer to [Section 5.3.16: I/O port characteristics](#) for details on the input/output alternate function characteristics (output compare, input capture, external clock, PWM output).

**Table 51. Characteristics of TIMx connected to the APB1 domain<sup>(1)</sup>**

| Symbol           | Parameter   | Conditions   | Min    | Max                  | Unit          |
|------------------|---|--|--------|----------------------|---------------|
| $t_{res(TIM)}$   | Timer resolution time                                       | AHB/APB1 prescaler distinct from 1, $f_{TIMxCLK} = 84$ MHz | 1      | -                    | $t_{TIMxCLK}$ |
|                  |   |  | 11.9   | -                    | ns            |
|                  |   | AHB/APB1 prescaler = 1, $f_{TIMxCLK} = 42$ MHz             | 1      | -                    | $t_{TIMxCLK}$ |
|                  |   |  | 23.8   | -                    | ns            |
| $f_{EXT}$        | Timer external clock frequency on CH1 to CH4                | $f_{TIMxCLK} = 84$ MHz<br>APB1 = 42 MHz                    | 0      | $f_{TIMxCLK}/2$      | MHz           |
|                  |   |  | 0      | 42                   | MHz           |
| $Res_{TIM}$      | Timer resolution  |  | -      | 16/32                | bit           |
| $t_{COUNTER}$    | 16-bit counter clock period when internal clock is selected |  | 1      | 65536                | $t_{TIMxCLK}$ |
|                  |   |  | 0.0119 | 780                  | $\mu s$       |
|                  | 32-bit counter clock period when internal clock is selected |  | 1      | -                    | $t_{TIMxCLK}$ |
| $t_{MAX\_COUNT}$ | Maximum possible count                                      |  | 0.0119 | 51130563             | $\mu s$       |
|                  |   |  | -      | $65536 \times 65536$ | $t_{TIMxCLK}$ |
|                  |   | -  | 51.1   | s                    |               |

1. TIMx is used as a general term to refer to the TIM2, TIM3, TIM4, TIM5, TIM6, TIM7, and TIM12 timers.

Table 52. Characteristics of TIMx connected to the APB2 domain<sup>(1)</sup>

| Symbol             | Parameter                                    | Conditions  | Min           | Max   | Unit          |
|--------------------|--|---|---------------|---|---------------|
| $t_{res(TIM)}$     | Timer resolution time                        | AHB/APB2 prescaler distinct from 1, $f_{TIMxCLK} = 168$ MHz | 1             | -   | $t_{TIMxCLK}$ |
|                    |  |   | 5.95          | -   | ns            |
|                    |  | AHB/APB2 prescaler = 1, $f_{TIMxCLK} = 84$ MHz              | 1             | -   | $t_{TIMxCLK}$ |
|                    |  |   | 11.9          | -   | ns            |
| $f_{EXT}$          | Timer external clock frequency on CH1 to CH4 | $f_{TIMxCLK} = 168$ MHz<br>APB2 = 84 MHz                    | 0             | $f_{TIMxCLK}/2$   | MHz           |
|                    |  |   | 0             | 84  | MHz           |
| Res <sub>TIM</sub> | Timer resolution                             |   | -             | 16  | bit           |
|                    |  |   | $t_{COUNTER}$ | 16-bit counter clock period when internal clock is selected | 1             |
| $t_{MAX\_COUNT}$   | Maximum possible count                       |   | -             | 32768   | $t_{TIMxCLK}$ |

1. TIMx is used as a general term to refer to the TIM1, TIM8, TIM9, TIM10, and TIM11 timers.

### 5.3.19 Communications interfaces

#### I<sup>2</sup>C interface characteristics

The STM32F405xx and STM32F407xx I<sup>2</sup>C interface meets the requirements of the standard I<sup>2</sup>C communication protocol with the following restrictions: the I/O pins SDA and SCL are mapped to are not “true” open-drain. When configured as open-drain, the PMOS connected between the I/O pin and V<sub>DD</sub> is disabled, but is still present.

The I<sup>2</sup>C characteristics are described in [Table 53](#). Refer also to [Section 5.3.16: I/O port characteristics](#) for more details on the input/output alternate function characteristics (SDA and SCL).

Table 53. I<sup>2</sup>C characteristics

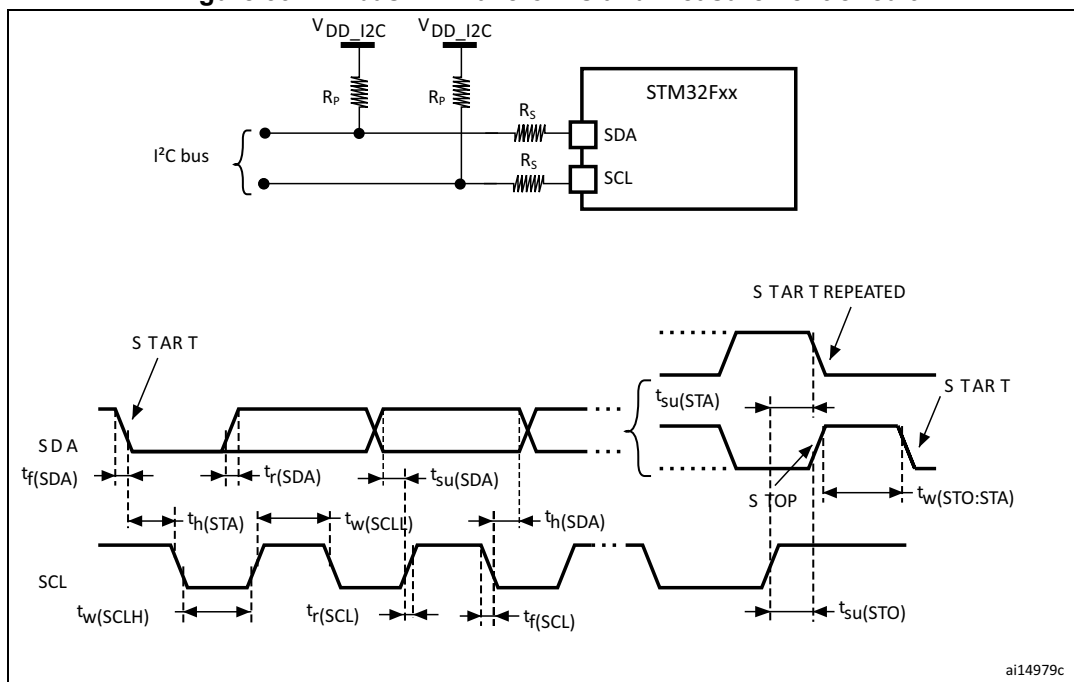
| Symbol                       | Parameter             | Standard mode I <sup>2</sup> C <sup>(1)</sup> |      | Fast mode I <sup>2</sup> C <sup>(1)(2)</sup> |                    | Unit    |
|------------------------------|-----------------------|---|------|--|--------------------|---------|
|                              |                       | Min   | Max  | Min  | Max                |         |
| $t_{w(SCLL)}$                | SCL clock low time    | 4.7   | -    | 1.3  | -                  | $\mu$ s |
| $t_{w(SCLH)}$                | SCL clock high time   | 4.0   | -    | 0.6  | -                  |         |
| $t_{su(SDA)}$                | SDA setup time        | 250   | -    | 100  | -                  | ns      |
| $t_{h(SDA)}$                 | SDA data hold time    | 0 <sup>(3)</sup>                              | -    | 0  | 900 <sup>(4)</sup> |         |
| $t_{r(SDA)}$<br>$t_{r(SCL)}$ | SDA and SCL rise time | -   | 1000 | $20 + 0.1C_b$                                | 300                |         |
| $t_{f(SDA)}$<br>$t_{f(SCL)}$ | SDA and SCL fall time | -   | 300  | -  | 300                |         |

Table 53. I<sup>2</sup>C characteristics (continued)

| Symbol                  | Parameter                               | Standard mode I <sup>2</sup> C <sup>(1)</sup> |     | Fast mode I <sup>2</sup> C <sup>(1)(2)</sup> |     | Unit |
|-------------------------|---|---|-----|--|-----|------|
|                         |   | Min   | Max | Min  | Max |      |
| t <sub>h(STA)</sub>     | Start condition hold time               | 4.0   | -   | 0.6  | -   | μs   |
| t <sub>su(STA)</sub>    | Repeated Start condition setup time     | 4.7   | -   | 0.6  | -   |      |
| t <sub>su(STO)</sub>    | Stop condition setup time               | 4.0   | -   | 0.6  | -   | μs   |
| t <sub>w(STO:STA)</sub> | Stop to Start condition time (bus free) | 4.7   | -   | 1.3  | -   | μs   |
| C <sub>b</sub>          | Capacitive load for each bus line       | -   | 400 | -  | 400 | pF   |

1. Guaranteed by design, not tested in production.
2. f<sub>CLK1</sub> must be at least 2 MHz to achieve standard mode I<sup>2</sup>C frequencies. It must be at least 4 MHz to achieve fast mode I<sup>2</sup>C frequencies, and a multiple of 10 MHz to reach the 400 kHz maximum I<sup>2</sup>C fast mode clock.
3. The device must internally provide a hold time of at least 300 ns for the SDA signal in order to bridge the undefined region of the falling edge of SCL.
4. The maximum data hold time has only to be met if the interface does not stretch the low period of SCL signal.

Figure 39. I<sup>2</sup>C bus AC waveforms and measurement circuit



1. Rs= series protection resistor.
2. Rp = external pull-up resistor.
3. VDD\_I2C is the I2C bus power supply.

**Table 54. SCL frequency ( $f_{PCLK1} = 42\text{ MHz}$ ,  $V_{DD} = 3.3\text{ V}$ )<sup>(1)(2)</sup>**

| $f_{SCL}$ (kHz) | I2C_CCR value              |
|-----------------|----------------------------|
|                 | $R_p = 4.7\text{ k}\Omega$ |
| 400             | 0x8019                     |
| 300             | 0x8021                     |
| 200             | 0x8032                     |
| 100             | 0x0096                     |
| 50              | 0x012C                     |
| 20              | 0x02EE                     |

1.  $R_p$  = External pull-up resistance,  $f_{SCL}$  = I<sup>2</sup>C speed,
2. For speeds around 200 kHz, the tolerance on the achieved speed is of  $\pm 5\%$ . For other speed ranges, the tolerance on the achieved speed  $\pm 2\%$ . These variations depend on the accuracy of the external components used to design the application.

**SPI interface characteristics**

Unless otherwise specified, the parameters given in [Table 55](#) for SPI are derived from tests performed under the ambient temperature,  $f_{PCLKx}$  frequency and  $V_{DD}$  supply voltage conditions summarized in [Table 14](#) with the following configuration:

- Output speed is set to OSPEEDRy[1:0] = 10
- Capacitive load C = 30 pF
- Measurement points are done at CMOS levels: 0.5  $V_{DD}$

Refer to [Section 5.3.16: I/O port characteristics](#) for more details on the input/output alternate function characteristics (NSS, SCK, MOSI, MISO).

**Table 55. SPI dynamic characteristics<sup>(1)</sup>**

| Symbol         | Parameter                         | Conditions                                       | Min | Typ | Max | Unit |
|----------------|-----------------------------------|--|-----|-----|-----|------|
| $f_{SCK}$      | SPI clock frequency               | Master mode, SPI1,<br>$2.7V < V_{DD} < 3.6V$     | -   | -   | 42  | MHz  |
|                |                                   | Slave mode, SPI1,<br>$2.7V < V_{DD} < 3.6V$      |     |     | 42  |      |
| $1/t_{c(SCK)}$ |                                   | Master mode, SPI1/2/3,<br>$1.7V < V_{DD} < 3.6V$ | -   | -   | 21  |      |
|                |                                   | Slave mode, SPI1/2/3,<br>$1.7V < V_{DD} < 3.6V$  |     |     | 21  |      |
| Duty(SCK)      | Duty cycle of SPI clock frequency | Slave mode                                       | 30  | 50  | 70  | %    |

Table 55. SPI dynamic characteristics<sup>(1)</sup> (continued)

| Symbol  | Parameter                   | Conditions   | Min                    | Typ               | Max                    | Unit |
|---|-----------------------------|--|------------------------|-------------------|------------------------|------|
| $t_{w(SCKH)}$   | SCK high and low time       | Master mode, SPI presc = 2, 2.7V < V <sub>DD</sub> < 3.6V                | T <sub>PCLK</sub> -0.5 | T <sub>PCLK</sub> | T <sub>PCLK</sub> +0.5 | ns   |
| $t_{w(SCKL)}$   |                             | Master mode, SPI presc = 2, 1.7V < V <sub>DD</sub> < 3.6V                | T <sub>PCLK</sub> -2   | T <sub>PCLK</sub> | T <sub>PCLK</sub> +2   |      |
| $t_{su(NSS)}$   | NSS setup time              | Slave mode, SPI presc = 2  | 4 x T <sub>PCLK</sub>  | -                 | -                      |      |
| $t_{h(NSS)}$  | NSS hold time               | Slave mode, SPI presc = 2  | 2 x T <sub>PCLK</sub>  | -                 | -                      |      |
| $t_{su(MI)}$  | Data input setup time       | Master mode  | 6.5                    | -                 | -                      |      |
| $t_{su(SI)}$  |                             | Slave mode   | 2.5                    | -                 | -                      |      |
| $t_{h(MI)}$   | Data input hold time        | Master mode  | 2.5                    | -                 | -                      |      |
| $t_{h(SI)}$   |                             | Slave mode   | 4                      | -                 | -                      |      |
| $t_{a(SO)}^{(2)}$   | Data output access time     | Slave mode, SPI presc = 2  | 0                      | -                 | 4 x T <sub>PCLK</sub>  |      |
| $t_{dis(SO)}^{(3)}$   | Data output disable time    | Slave mode, SPI1, 2.7V < V <sub>DD</sub> < 3.6V                          | 0                      | -                 | 7.5                    |      |
|   |                             | Slave mode, SPI1/2/3, 1.7V < V <sub>DD</sub> < 3.6V                      | 0                      | -                 | 16.5                   |      |
| $t_{v(SO)}$   | Data output valid/hold time | Slave mode (after enable edge), SPI1, 2.7V < V <sub>DD</sub> < 3.6V      | -                      | 11                | 13                     |      |
|   |                             | Slave mode (after enable edge), SPI2/3, 2.7V < V <sub>DD</sub> < 3.6V    | -                      | 12                | 16.5                   |      |
| Slave mode (after enable edge), SPI1, 1.7V < V <sub>DD</sub> < 3.6V   |                             | -  | 15.5                   | 19                |                        |      |
| Slave mode (after enable edge), SPI2/3, 1.7V < V <sub>DD</sub> < 3.6V |                             | -  | 18                     | 20.5              |                        |      |
| $t_{h(SO)}$   | Data output hold time       | Slave mode (after enable edge), SPI1, 1.7V < V <sub>DD</sub> < 3.6V      | -                      | 15.5              | 19                     |      |
|   |                             | Slave mode (after enable edge), SPI2/3, 1.7V < V <sub>DD</sub> < 3.6V    | -                      | 18                | 20.5                   |      |
| $t_{v(MO)}$   | Data output valid time      | Master mode (after enable edge), SPI1, 2.7V < V <sub>DD</sub> < 3.6V     | -                      | -                 | 2.5                    |      |
|   |                             | Master mode (after enable edge), SPI1/2/3, 1.7V < V <sub>DD</sub> < 3.6V | -                      | -                 | 4.5                    |      |
| $t_{h(MO)}$   | Data output hold time       | Master mode (after enable edge)  | 0                      | -                 | -                      |      |

1. Data based on characterization results, not tested in production.
2. Min time is for the minimum time to drive the output and the max time is for the maximum time to validate the data.
3. Min time is for the minimum time to invalidate the output and the max time is for the maximum time to put the data in Hi-Z.



Figure 40. SPI timing diagram - slave mode and CPHA = 0

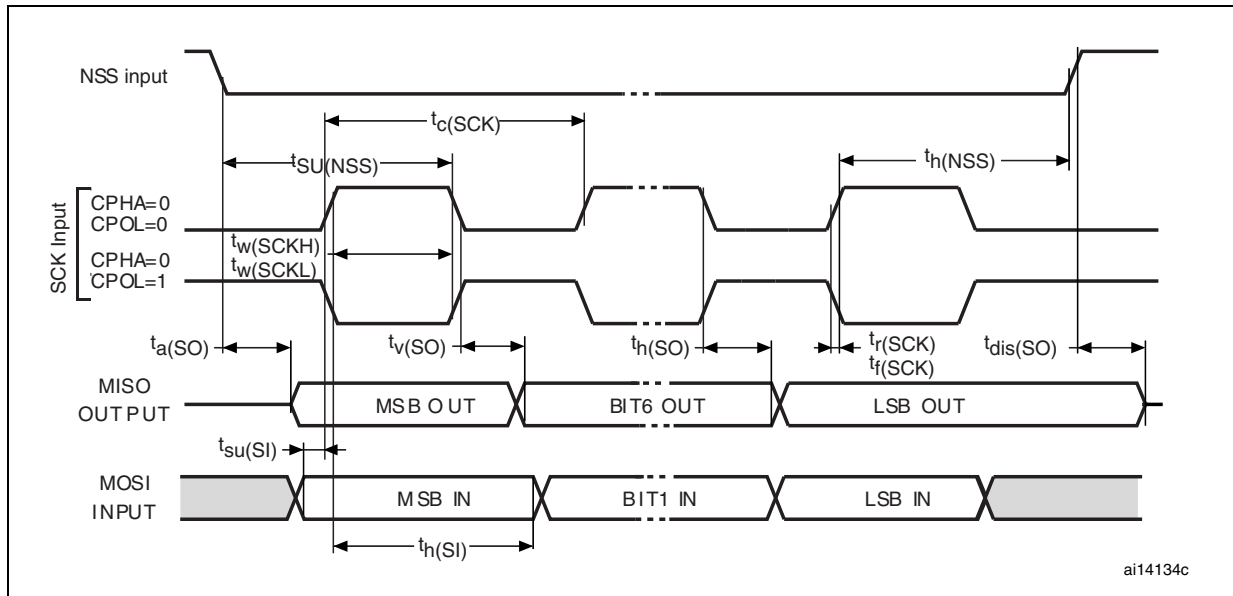


Figure 41. SPI timing diagram - slave mode and CPHA = 1

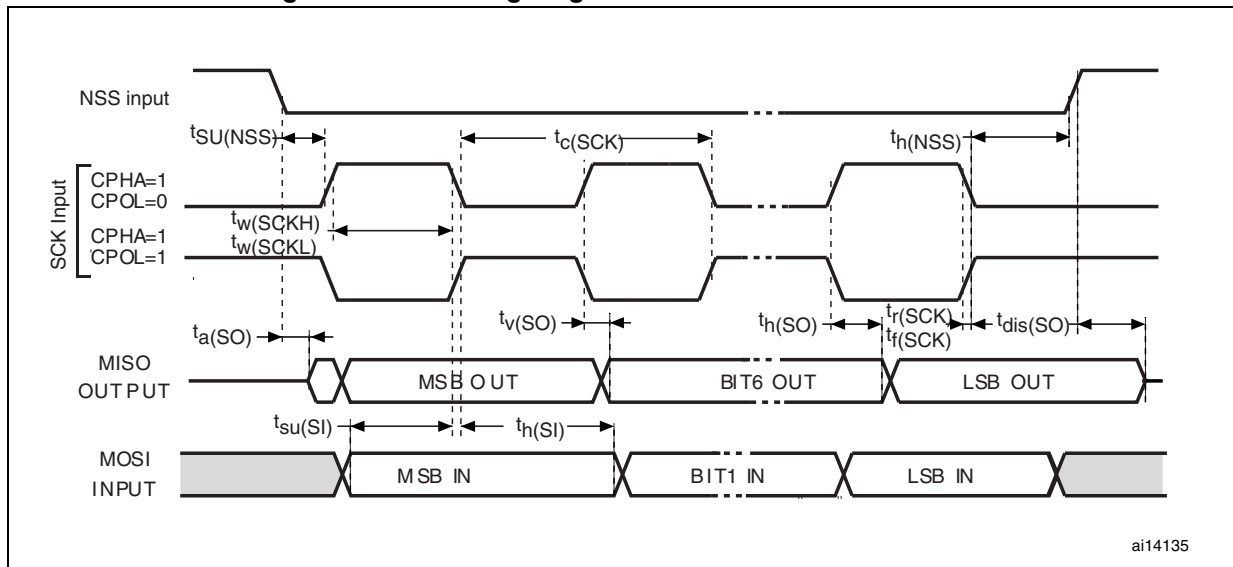
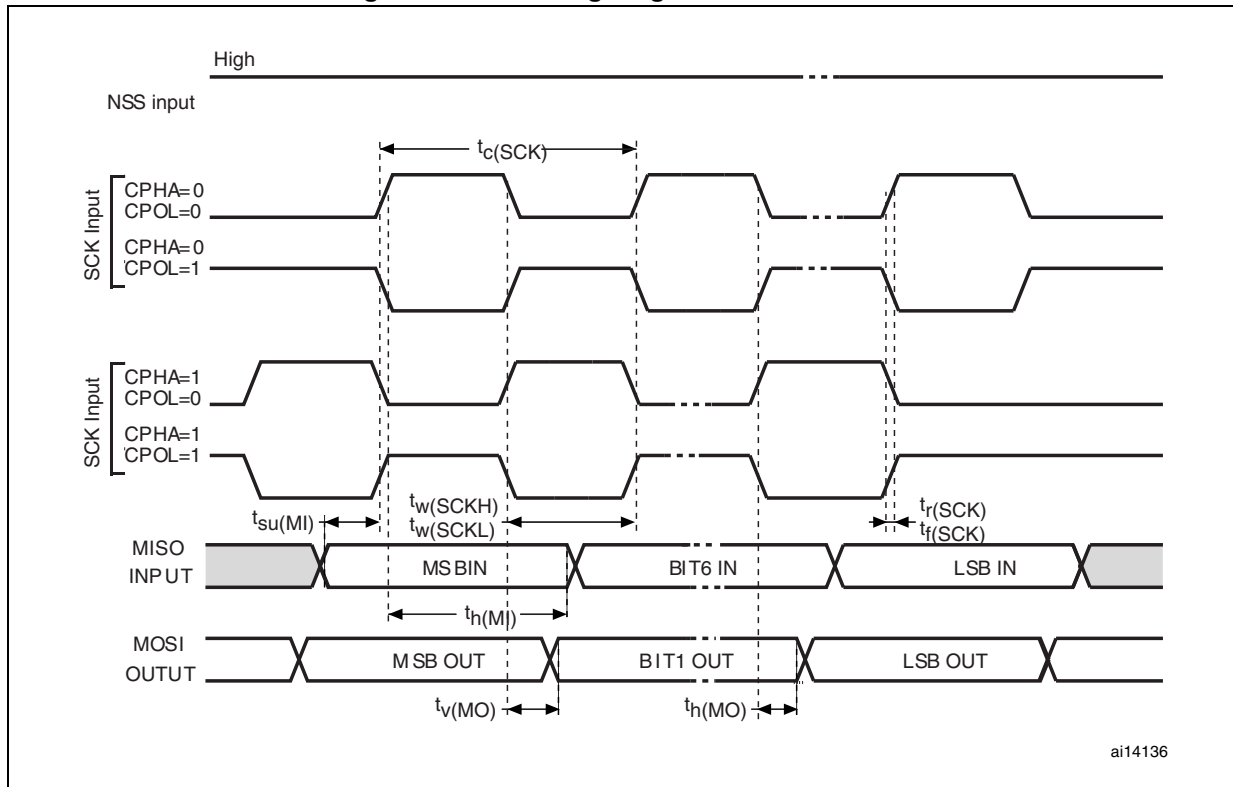


Figure 42. SPI timing diagram - master mode



**I<sup>2</sup>S interface characteristics**

Unless otherwise specified, the parameters given in [Table 56](#) for the I<sup>2</sup>S interface are derived from tests performed under the ambient temperature,  $f_{PCLKx}$  frequency and  $V_{DD}$  supply voltage conditions summarized in [Table 14](#), with the following configuration:

- Output speed is set to OSPEEDRy[1:0] = 10
- Capacitive load C = 30 pF
- Measurement points are done at CMOS levels: 0.5  $V_{DD}$

Refer to [Section 5.3.16: I/O port characteristics](#) for more details on the input/output alternate function characteristics (CK, SD, WS).

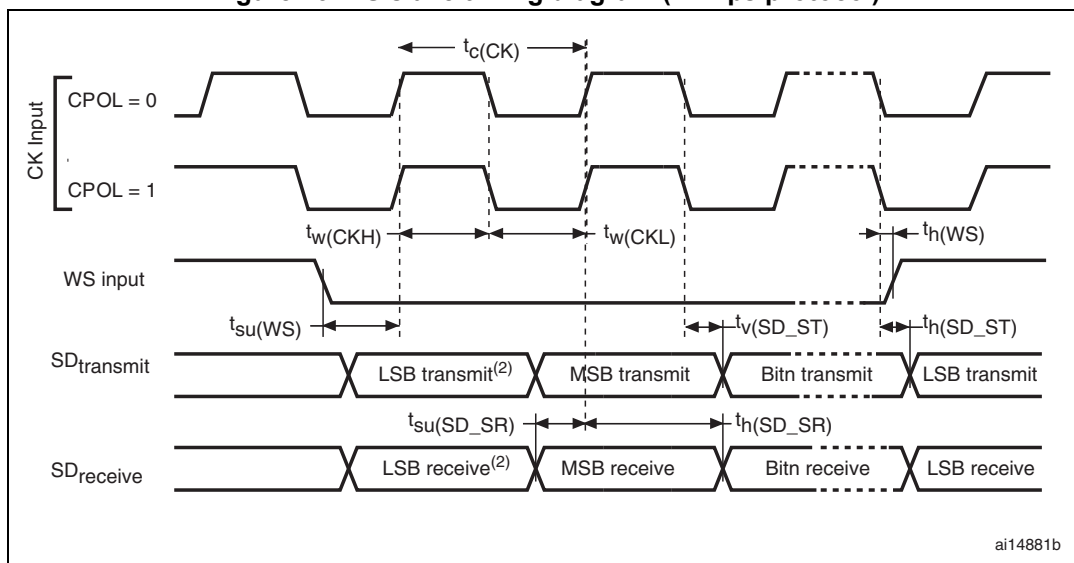
**Table 56. I<sup>2</sup>S dynamic characteristics<sup>(1)</sup>**

| Symbol           | Parameter                                   | Conditions                             | Min      | Max                        | Unit |
|------------------|---|--|----------|----------------------------|------|
| $f_{MCK}$        | I <sup>2</sup> S main clock output          | -                                      | 256 x 8K | 256 x $F_S$ <sup>(2)</sup> | MHz  |
| $f_{CK}$         | I <sup>2</sup> S clock frequency            | Master data: 32 bits                   | -        | 64 x $F_S$                 | MHz  |
|                  |   | Slave data: 32 bits                    | -        | 64 x $F_S$                 |      |
| $D_{CK}$         | I <sup>2</sup> S clock frequency duty cycle | Slave receiver                         | 30       | 70                         | %    |
| $t_{V(WS)}$      | WS valid time                               | Master mode                            | 0        | 6                          | ns   |
| $t_{h(WS)}$      | WS hold time                                | Master mode                            | 0        | -                          |      |
| $t_{su(WS)}$     | WS setup time                               | Slave mode                             | 1        | -                          |      |
| $t_{h(WS)}$      | WS hold time                                | Slave mode                             | 0        | -                          |      |
| $t_{su(SD\_MR)}$ | Data input setup time                       | Master receiver                        | 7.5      | -                          |      |
| $t_{su(SD\_SR)}$ |   | Slave receiver                         | 2        | -                          |      |
| $t_{h(SD\_MR)}$  | Data input hold time                        | Master receiver                        | 0        | -                          |      |
| $t_{h(SD\_SR)}$  |   | Slave receiver                         | 0        | -                          |      |
| $t_{V(SD\_ST)}$  | Data output valid time                      | Slave transmitter (after enable edge)  | -        | 27                         |      |
| $t_{h(SD\_ST)}$  |   | Master transmitter (after enable edge) | -        | 20                         |      |
| $t_{V(SD\_MT)}$  |   | Master transmitter (after enable edge) | -        | 20                         |      |
| $t_{h(SD\_MT)}$  | Data output hold time                       | Master transmitter (after enable edge) | 2.5      | -                          |      |

1. Data based on characterization results, not tested in production.
2. The maximum value of 256 x  $F_S$  is 42 MHz (APB1 maximum frequency).

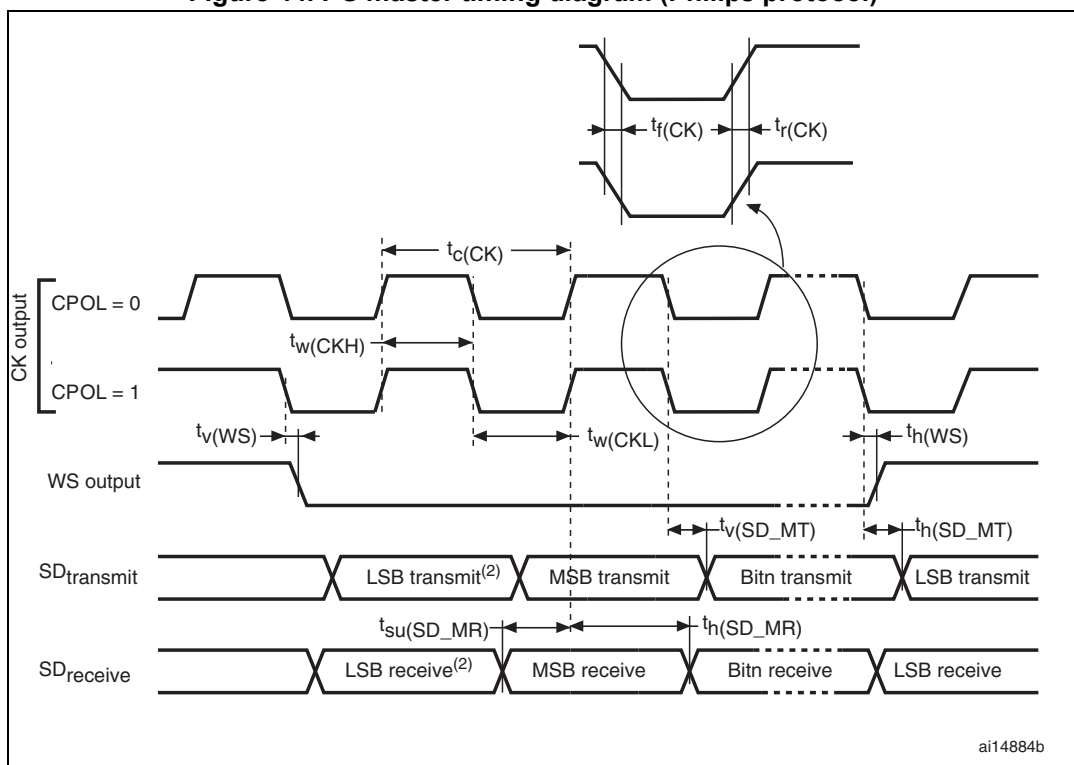
**Note:** Refer to the I<sup>2</sup>S section of RM0090 reference manual for more details on the sampling frequency ( $F_S$ ).  $f_{MCK}$ ,  $f_{CK}$ , and  $D_{CK}$  values reflect only the digital peripheral behavior. The value of these parameters might be slightly impacted by the source clock accuracy.  $D_{CK}$  depends mainly on the value of ODD bit. The digital contribution leads to a minimum value of  $I2SDIV / (2 \times I2SDIV + ODD)$  and a maximum value of  $(I2SDIV + ODD) / (2 \times I2SDIV + ODD)$ .  $F_S$  maximum value is supported for each mode/condition.

Figure 43. I<sup>2</sup>S slave timing diagram (Philips protocol)



1. LSB transmit/receive of the previously transmitted byte. No LSB transmit/receive is sent before the first byte.

Figure 44. I<sup>2</sup>S master timing diagram (Philips protocol)<sup>(1)</sup>



1. Based on characterization, not tested in production.
2. LSB transmit/receive of the previously transmitted byte. No LSB transmit/receive is sent before the first byte.

**USB OTG FS characteristics**

This interface is present in both the USB OTG HS and USB OTG FS controllers.



Table 57. USB OTG FS startup time

| Symbol              | Parameter                           | Max | Unit    |
|---------------------|-------------------------------------|-----|---------|
| $t_{STARTUP}^{(1)}$ | USB OTG FS transceiver startup time | 1   | $\mu s$ |

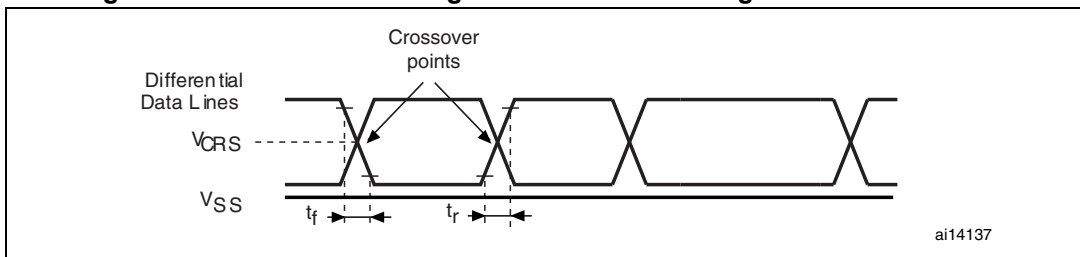
1. Guaranteed by design, not tested in production.

Table 58. USB OTG FS DC electrical characteristics

| Symbol        | Parameter   | Conditions                      | Min. <sup>(1)</sup>                               | Typ. | Max. <sup>(1)</sup> | Unit       |   |
|---------------|---|---------------------------------|---|------|---------------------|------------|---|
| Input levels  | $V_{DD}$  | USB OTG FS operating voltage    | 3.0 <sup>(2)</sup>                                | -    | 3.6                 | V          |   |
|               | $V_{DI}^{(3)}$                                      | Differential input sensitivity  | I(USB_FS_DP/DM, USB_HS_DP/DM)                     | 0.2  | -                   | -          | V |
|               | $V_{CM}^{(3)}$                                      | Differential common mode range  | Includes $V_{DI}$ range                           | 0.8  | -                   | 2.5        |   |
|               | $V_{SE}^{(3)}$                                      | Single ended receiver threshold |   | 1.3  | -                   | 2.0        |   |
| Output levels | $V_{OL}$  | Static output level low         | $R_L$ of 1.5 k $\Omega$ to 3.6 V <sup>(4)</sup>   | -    | -                   | 0.3        | V |
|               | $V_{OH}$  | Static output level high        | $R_L$ of 15 k $\Omega$ to $V_{SS}$ <sup>(4)</sup> | 2.8  | -                   | 3.6        |   |
| $R_{PD}$      | PA11, PA12, PB14, PB15 (USB_FS_DP/DM, USB_HS_DP/DM) | $V_{IN} = V_{DD}$               | 17  | 21   | 24                  | k $\Omega$ |   |
|               | PA9, PB13 (OTG_FS_VBUS, OTG_HS_VBUS)                |                                 | 0.65  | 1.1  | 2.0                 |            |   |
| $R_{PU}$      | PA12, PB15 (USB_FS_DP, USB_HS_DP)                   | $V_{IN} = V_{SS}$               | 1.5   | 1.8  | 2.1                 | k $\Omega$ |   |
|               | PA9, PB13 (OTG_FS_VBUS, OTG_HS_VBUS)                | $V_{IN} = V_{SS}$               | 0.25  | 0.37 | 0.55                |            |   |

1. All the voltages are measured from the local ground potential.
2. The STM32F405xx and STM32F407xx USB OTG FS functionality is ensured down to 2.7 V but not the full USB OTG FS electrical characteristics which are degraded in the 2.7-to-3.0 V  $V_{DD}$  voltage range.
3. Guaranteed by design, not tested in production.
4.  $R_L$  is the load connected on the USB OTG FS drivers

Figure 45. USB OTG FS timings: definition of data signal rise and fall time



**Table 59. USB OTG FS electrical characteristics<sup>(1)</sup>**

| Driver characteristics |                                 |                       |     |     |      |
|------------------------|---------------------------------|-----------------------|-----|-----|------|
| Symbol                 | Parameter                       | Conditions            | Min | Max | Unit |
| $t_r$                  | Rise time <sup>(2)</sup>        | $C_L = 50 \text{ pF}$ | 4   | 20  | ns   |
| $t_f$                  | Fall time <sup>(2)</sup>        | $C_L = 50 \text{ pF}$ | 4   | 20  | ns   |
| $t_{rfm}$              | Rise/ fall time matching        | $t_r/t_f$             | 90  | 110 | %    |
| $V_{CRS}$              | Output signal crossover voltage |                       | 1.3 | 2.0 | V    |

1. Guaranteed by design, not tested in production.
2. Measured from 10% to 90% of the data signal. For more detailed informations, please refer to USB Specification - Chapter 7 (version 2.0).

**USB HS characteristics**

Unless otherwise specified, the parameters given in [Table 62](#) for ULPI are derived from tests performed under the ambient temperature,  $f_{HCLK}$  frequency summarized in [Table 61](#) and  $V_{DD}$  supply voltage conditions summarized in [Table 60](#), with the following configuration:

- Output speed is set to OSPEEDRy[1:0] = 10
- Capacitive load C = 30 pF
- Measurement points are done at CMOS levels:  $0.5V_{DD}$ .

Refer to [Section 5.3.16: I/O port characteristics](#) for more details on the input/output characteristics.

**Table 60. USB HS DC electrical characteristics**

| Symbol               | Parameter                    | Min. <sup>(1)</sup> | Max. <sup>(1)</sup> | Unit |
|----------------------|------------------------------|---------------------|---------------------|------|
| Input level $V_{DD}$ | USB OTG HS operating voltage | 2.7                 | 3.6                 | V    |

1. All the voltages are measured from the local ground potential.

**Table 61. USB HS clock timing parameters<sup>(1)</sup>**

| Parameter  | Symbol            | Min               | Nominal | Max    | Unit          |    |
|--|-------------------|-------------------|---------|--------|---------------|----|
| $f_{HCLK}$ value to guarantee proper operation of USB HS interface                 |                   | 30                |         |        | MHz           |    |
| Frequency (first transition) 8-bit $\pm 10\%$                                      | $F_{START\_8BIT}$ | 54                | 60      | 66     | MHz           |    |
| Frequency (steady state) $\pm 500$ ppm   | $F_{STEADY}$      | 59.97             | 60      | 60.03  | MHz           |    |
| Duty cycle (first transition) 8-bit $\pm 10\%$                                     | $D_{START\_8BIT}$ | 40                | 50      | 60     | %             |    |
| Duty cycle (steady state) $\pm 500$ ppm  | $D_{STEADY}$      | 49.975            | 50      | 50.025 | %             |    |
| Time to reach the steady state frequency and duty cycle after the first transition | $T_{STEADY}$      | -                 | -       | 1.4    | ms            |    |
| Clock startup time after the de-assertion of SuspendM                              | Peripheral        | $T_{START\_DEV}$  | -       | -      | 5.6           | ms |
|  | Host              | $T_{START\_HOST}$ | -       | -      | -             |    |
| PHY preparation time after the first transition of the input clock                 | $T_{PREP}$        | -                 | -       | -      | $\mu\text{s}$ |    |

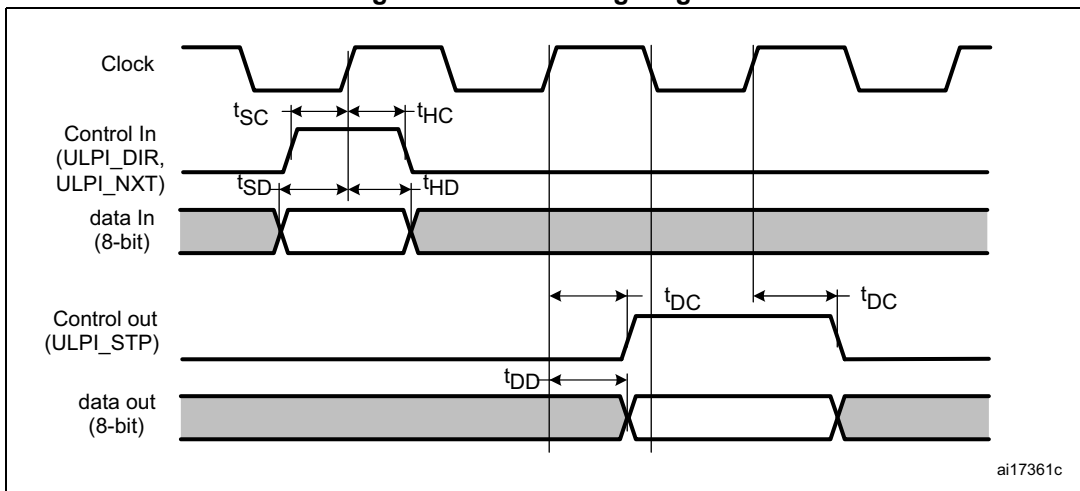
1. Guaranteed by design, not tested in production.

Table 62. ULPI timing

| Parameter                                       | Symbol          | Value <sup>(1)</sup> |      | Unit |
|---|-----------------|----------------------|------|------|
|   |                 | Min.                 | Max. |      |
| Control in (ULPI_DIR) setup time                | t <sub>SC</sub> | -                    | 2.0  | ns   |
| Control in (ULPI_NXT) setup time                |                 | -                    | 1.5  |      |
| Control in (ULPI_DIR, ULPI_NXT) hold time       | t <sub>HC</sub> | 0                    | -    |      |
| Data in setup time                              | t <sub>SD</sub> | -                    | 2.0  |      |
| Data in hold time                               | t <sub>HD</sub> | 0                    | -    |      |
| Control out (ULPI_STP) setup time and hold time | t <sub>DC</sub> | -                    | 9.2  |      |
| Data out available from clock rising edge       | t <sub>DD</sub> | -                    | 10.7 |      |

1. V<sub>DD</sub> = 2.7 V to 3.6 V and T<sub>A</sub> = -40 to 85 °C.

Figure 46. ULPI timing diagram



Ethernet characteristics

Unless otherwise specified, the parameters given in [Table 64](#), [Table 65](#) and [Table 66](#) for SMI, RMII and MII are derived from tests performed under the ambient temperature, f<sub>HCLK</sub> frequency summarized in [Table 14](#) and V<sub>DD</sub> supply voltage conditions summarized in [Table 63](#), with the following configuration:

- Output speed is set to OSPEEDRy[1:0] = 10
- Capacitive load C = 30 pF
- Measurement points are done at CMOS levels: 0.5V<sub>DD</sub>.

Refer to [Section 5.3.16: I/O port characteristics](#) for more details on the input/output characteristics.

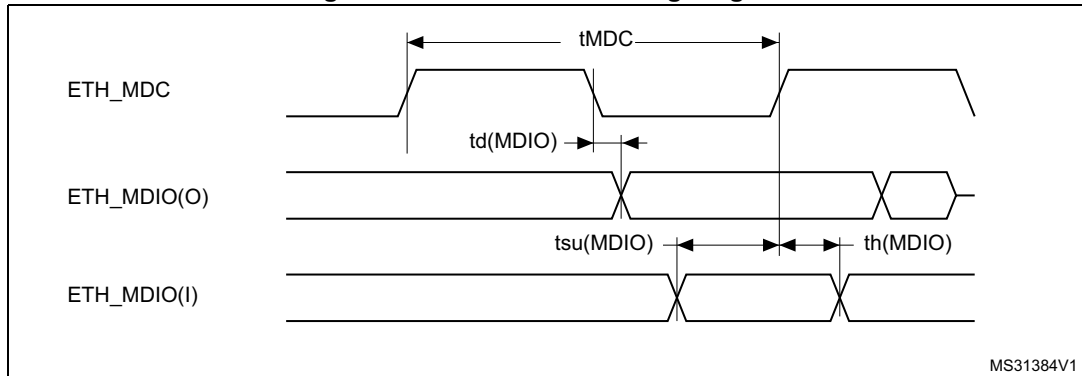
**Table 63. Ethernet DC electrical characteristics**

| Symbol      | Parameter       | Min. <sup>(1)</sup>        | Max. <sup>(1)</sup> | Unit |   |
|-------------|-----------------|----------------------------|---------------------|------|---|
| Input level | V <sub>DD</sub> | Ethernet operating voltage | 2.7                 | 3.6  | V |

1. All the voltages are measured from the local ground potential.

Table 64 gives the list of Ethernet MAC signals for the SMI (station management interface) and Figure 47 shows the corresponding timing diagram.

**Figure 47. Ethernet SMI timing diagram**



MS31384V1

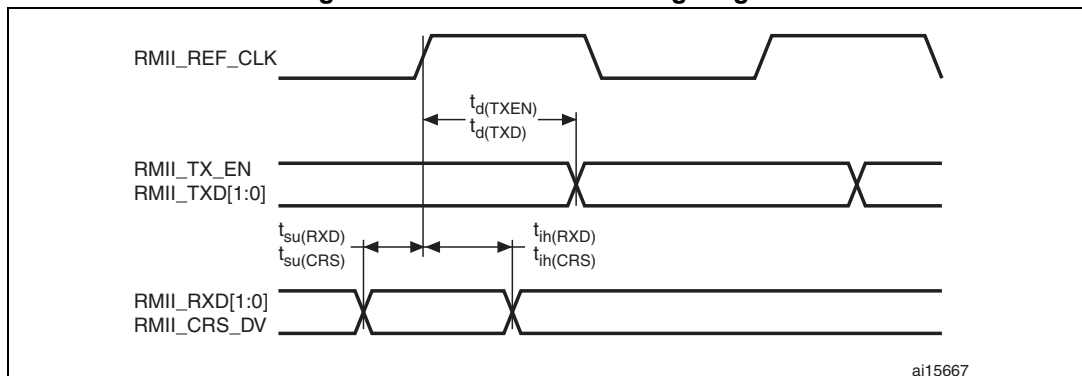
**Table 64. Dynamic characteristics: Ethernet MAC signals for SMI<sup>(1)</sup>**

| Symbol                 | Parameter                 | Min | Typ | Max | Unit |
|------------------------|---------------------------|-----|-----|-----|------|
| t <sub>MDC</sub>       | MDC cycle time( 2.38 MHz) | 411 | 420 | 425 | ns   |
| T <sub>d</sub> (MDIO)  | Write data valid time     | 6   | 10  | 13  |      |
| t <sub>su</sub> (MDIO) | Read data setup time      | 12  | -   | -   |      |
| t <sub>h</sub> (MDIO)  | Read data hold time       | 0   | -   | -   |      |

1. Data based on characterization results, not tested in production.

Table 65 gives the list of Ethernet MAC signals for the RMII and Figure 48 shows the corresponding timing diagram.

**Figure 48. Ethernet RMII timing diagram**



ai15667

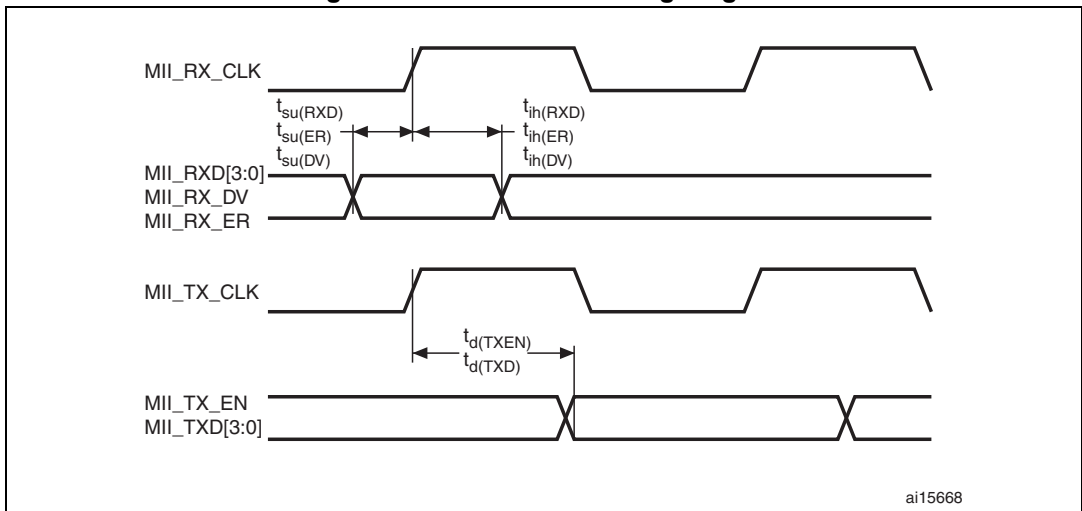


**Table 65. Dynamic characteristics: Ethernet MAC signals for RMII**

| Symbol        | Rating                           | Min | Typ | Max  | Unit |
|---------------|----------------------------------|-----|-----|------|------|
| $t_{su}(RXD)$ | Receive data setup time          | 2   | -   | -    | ns   |
| $t_{ih}(RXD)$ | Receive data hold time           | 1   | -   | -    | ns   |
| $t_{su}(CRS)$ | Carrier sense set-up time        | 0.5 | -   | -    | ns   |
| $t_{ih}(CRS)$ | Carrier sense hold time          | 2   | -   | -    | ns   |
| $t_d(TXEN)$   | Transmit enable valid delay time | 8   | 9.5 | 11   | ns   |
| $t_d(TXD)$    | Transmit data valid delay time   | 8.5 | 10  | 11.5 | ns   |

Table 66 gives the list of Ethernet MAC signals for MII and Figure 48 shows the corresponding timing diagram.

**Figure 49. Ethernet MII timing diagram**



**Table 66. Dynamic characteristics: Ethernet MAC signals for MII<sup>(1)</sup>**

| Symbol        | Parameter                        | Min | Typ | Max | Unit |
|---------------|----------------------------------|-----|-----|-----|------|
| $t_{su}(RXD)$ | Receive data setup time          | 9   |     | -   | ns   |
| $t_{ih}(RXD)$ | Receive data hold time           | 10  |     | -   |      |
| $t_{su}(DV)$  | Data valid setup time            | 9   |     | -   |      |
| $t_{ih}(DV)$  | Data valid hold time             | 8   |     | -   |      |
| $t_{su}(ER)$  | Error setup time                 | 6   |     | -   |      |
| $t_{ih}(ER)$  | Error hold time                  | 8   |     | -   |      |
| $t_d(TXEN)$   | Transmit enable valid delay time | 0   | 10  | 14  |      |
| $t_d(TXD)$    | Transmit data valid delay time   | 0   | 10  | 15  |      |

1. Data based on characterization results, not tested in production.

### CAN (controller area network) interface

Refer to [Section 5.3.16: I/O port characteristics](#) for more details on the input/output alternate function characteristics (CANTX and CANRX).

### 5.3.20 12-bit ADC characteristics

Unless otherwise specified, the parameters given in [Table 67](#) are derived from tests performed under the ambient temperature,  $f_{PCLK2}$  frequency and  $V_{DDA}$  supply voltage conditions summarized in [Table 14](#).

**Table 67. ADC characteristics**

| Symbol             | Parameter                               | Conditions                                 | Min   | Typ | Max              | Unit           |
|--------------------|---|--|---|-----|------------------|----------------|
| $V_{DDA}$          | Power supply                            |  | 1.8 <sup>(1)</sup>                          | -   | 3.6              | V              |
| $V_{REF+}$         | Positive reference voltage              |  | 1.8 <sup>(1)(2)(3)</sup>                    | -   | $V_{DDA}$        | V              |
| $f_{ADC}$          | ADC clock frequency                     | $V_{DDA} = 1.8^{(1)(3)}$ to 2.4 V          | 0.6   | 15  | 18               | MHz            |
|                    |   | $V_{DDA} = 2.4$ to 3.6 V <sup>(3)</sup>    | 0.6   | 30  | 36               | MHz            |
| $f_{TRIG}^{(4)}$   | External trigger frequency              | $f_{ADC} = 30$ MHz, 12-bit resolution      | -   | -   | 1764             | kHz            |
|                    |   |  | -   | -   | 17               | 1/ $f_{ADC}$   |
| $V_{AIN}$          | Conversion voltage range <sup>(5)</sup> |  | 0 ( $V_{SSA}$ or $V_{REF-}$ tied to ground) | -   | $V_{REF+}$       | V              |
| $R_{AIN}^{(4)}$    | External input impedance                | See <a href="#">Equation 1</a> for details | -   | -   | 50               | $\kappa\Omega$ |
| $R_{ADC}^{(4)(6)}$ | Sampling switch resistance              |  | -   | -   | 6                | $\kappa\Omega$ |
| $C_{ADC}^{(4)}$    | Internal sample and hold capacitor      |  | -   | 4   | -                | pF             |
| $t_{lat}^{(4)}$    | Injection trigger conversion latency    | $f_{ADC} = 30$ MHz                         | -   | -   | 0.100            | $\mu$ s        |
|                    |   |  | -   | -   | 3 <sup>(7)</sup> | 1/ $f_{ADC}$   |
| $t_{latr}^{(4)}$   | Regular trigger conversion latency      | $f_{ADC} = 30$ MHz                         | -   | -   | 0.067            | $\mu$ s        |
|                    |   |  | -   | -   | 2 <sup>(7)</sup> | 1/ $f_{ADC}$   |
| $t_S^{(4)}$        | Sampling time                           | $f_{ADC} = 30$ MHz                         | 0.100                                       | -   | 16               | $\mu$ s        |
|                    |   |  | 3   | -   | 480              | 1/ $f_{ADC}$   |
| $t_{STAB}^{(4)}$   | Power-up time                           |  | -   | 2   | 3                | $\mu$ s        |

Table 67. ADC characteristics (continued)

| Symbol            | Parameter   | Conditions  | Min  | Typ | Max   | Unit    |
|-------------------|---|---|------|-----|-------|---------|
| $t_{CONV}^{(4)}$  | Total conversion time (including sampling time)                     | $f_{ADC} = 30$ MHz<br>12-bit resolution                                       | 0.50 | -   | 16.40 | $\mu s$ |
|                   |   | $f_{ADC} = 30$ MHz<br>10-bit resolution                                       | 0.43 | -   | 16.34 | $\mu s$ |
|                   |   | $f_{ADC} = 30$ MHz<br>8-bit resolution  | 0.37 | -   | 16.27 | $\mu s$ |
|                   |   | $f_{ADC} = 30$ MHz<br>6-bit resolution  | 0.30 | -   | 16.20 | $\mu s$ |
|                   |   | 9 to 492 ( $t_S$ for sampling +n-bit resolution for successive approximation) |      |     |       |         |
| $f_S^{(4)}$       | Sampling rate<br>( $f_{ADC} = 30$ MHz, and<br>$t_S = 3$ ADC cycles) | 12-bit resolution<br>Single ADC   | -    | -   | 2     | MspS    |
|                   |   | 12-bit resolution<br>Interleave Dual ADC mode                                 | -    | -   | 3.75  | MspS    |
|                   |   | 12-bit resolution<br>Interleave Triple ADC mode                               | -    | -   | 6     | MspS    |
| $I_{VREF+}^{(4)}$ | ADC $V_{REF+}$ DC current consumption in conversion mode            |   | -    | 300 | 500   | $\mu A$ |
| $I_{VDDA}^{(4)}$  | ADC $V_{DDA}$ DC current consumption in conversion mode             |   | -    | 1.6 | 1.8   | mA      |

- $V_{DD}/V_{DDA}$  minimum value of 1.7 V is obtained when the device operates in reduced temperature range, and with the use of an external power supply supervisor (refer to [Section : Internal reset OFF](#)).
- It is recommended to maintain the voltage difference between  $V_{REF+}$  and  $V_{DDA}$  below 1.8 V.
- $V_{DDA} - V_{REF+} < 1.2$  V.
- Based on characterization, not tested in production.
- $V_{REF+}$  is internally connected to  $V_{DDA}$  and  $V_{REF-}$  is internally connected to  $V_{SSA}$ .
- $R_{ADC}$  maximum value is given for  $V_{DD}=1.8$  V, and minimum value for  $V_{DD}=3.3$  V.
- For external triggers, a delay of  $1/f_{PCLK2}$  must be added to the latency specified in [Table 67](#).

**Equation 1:  $R_{AIN}$  max formula**

$$R_{AIN} = \frac{(k - 0.5)}{f_{ADC} \times C_{ADC} \times \ln(2^{N+2})} - R_{ADC}$$

The formula above ([Equation 1](#)) is used to determine the maximum external impedance allowed for an error below 1/4 of LSB. N = 12 (from 12-bit resolution) and k is the number of sampling periods defined in the ADC\_SMPR1 register.

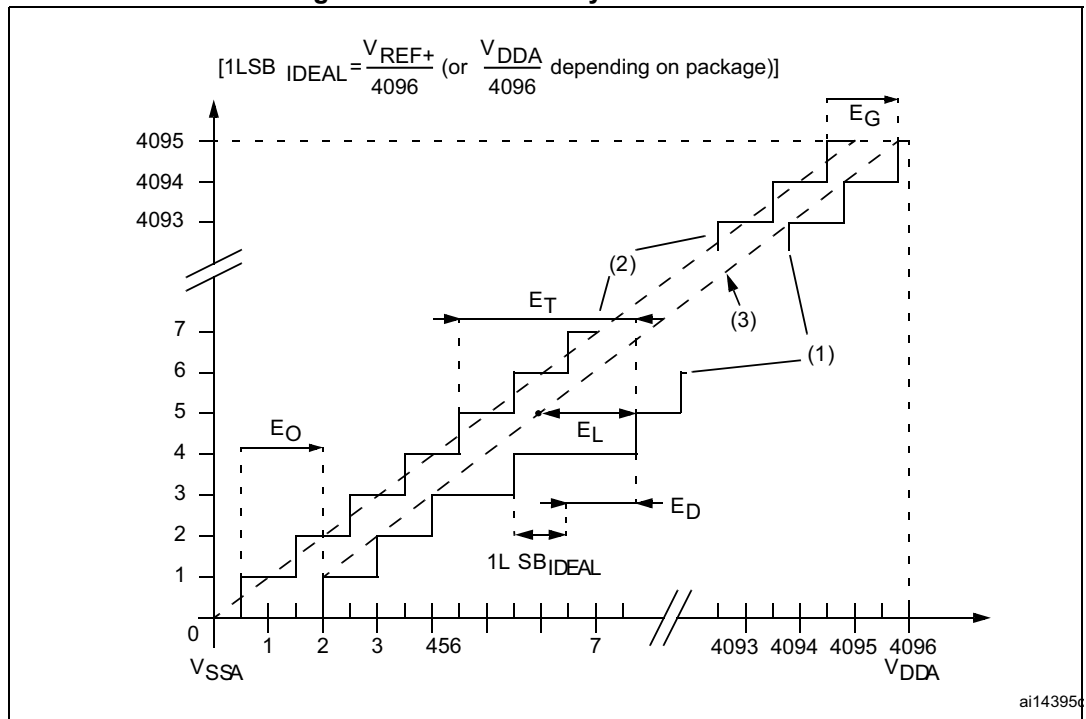
**Table 68. ADC accuracy at  $f_{ADC} = 30\text{ MHz}^{(1)}$**

| Symbol | Parameter                    | Test conditions   | Typ       | Max <sup>(2)</sup> | Unit |
|--------|------------------------------|---|-----------|--------------------|------|
| ET     | Total unadjusted error       | $f_{PCLK2} = 60\text{ MHz}$ ,<br>$f_{ADC} = 30\text{ MHz}$ , $R_{AIN} < 10\text{ k}\Omega$ ,<br>$V_{DDA} = 1.8^{(3)}$ to $3.6\text{ V}$ | $\pm 2$   | $\pm 5$            | LSB  |
| EO     | Offset error                 |   | $\pm 1.5$ | $\pm 2.5$          |      |
| EG     | Gain error                   |   | $\pm 1.5$ | $\pm 3$            |      |
| ED     | Differential linearity error |   | $\pm 1$   | $\pm 2$            |      |
| EL     | Integral linearity error     |   | $\pm 1.5$ | $\pm 3$            |      |

- Better performance could be achieved in restricted  $V_{DD}$ , frequency and temperature ranges.
- Based on characterization, not tested in production.
- $V_{DD}/V_{DDA}$  minimum value of 1.7 V is obtained when the device operates in reduced temperature range, and with the use of an external power supply supervisor (refer to [Section : Internal reset OFF](#)).

**Note:** ADC accuracy vs. negative injection current: injecting a negative current on any analog input pins should be avoided as this significantly reduces the accuracy of the conversion being performed on another analog input. It is recommended to add a Schottky diode (pin to ground) to analog pins which may potentially inject negative currents. Any positive injection current within the limits specified for  $I_{INJ(PIN)}$  and  $\Sigma I_{INJ(PIN)}$  in [Section 5.3.16](#) does not affect the ADC accuracy.

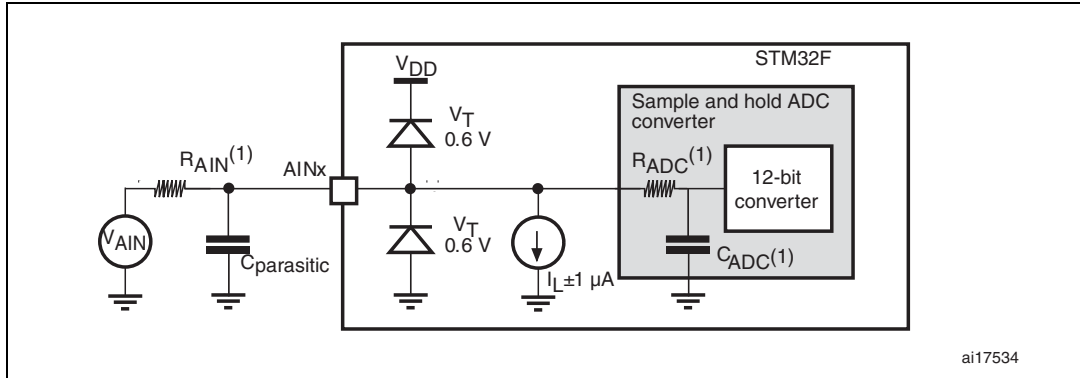
**Figure 50. ADC accuracy characteristics**



- See also [Table 68](#).
- Example of an actual transfer curve.
- Ideal transfer curve.
- End point correlation line.
- $E_T$  = Total Unadjusted Error: maximum deviation between the actual and the ideal transfer curves.  
 $E_O$  = Offset Error: deviation between the first actual transition and the first ideal one.

EG = Gain Error: deviation between the last ideal transition and the last actual one.  
 ED = Differential Linearity Error: maximum deviation between actual steps and the ideal one.  
 EL = Integral Linearity Error: maximum deviation between any actual transition and the end point correlation line.

Figure 51. Typical connection diagram using the ADC

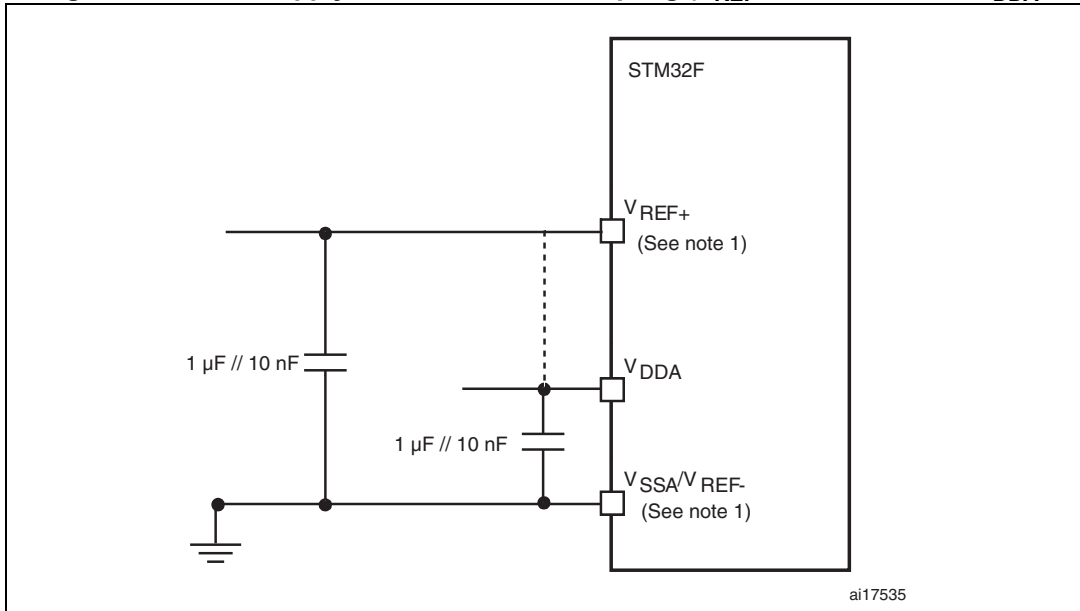


1. Refer to [Table 67](#) for the values of  $R_{AIN}$ ,  $R_{ADC}$  and  $C_{ADC}$ .
2.  $C_{parasitic}$  represents the capacitance of the PCB (dependent on soldering and PCB layout quality) plus the pad capacitance (roughly 5 pF). A high  $C_{parasitic}$  value downgrades conversion accuracy. To remedy this,  $f_{ADC}$  should be reduced.

**General PCB design guidelines**

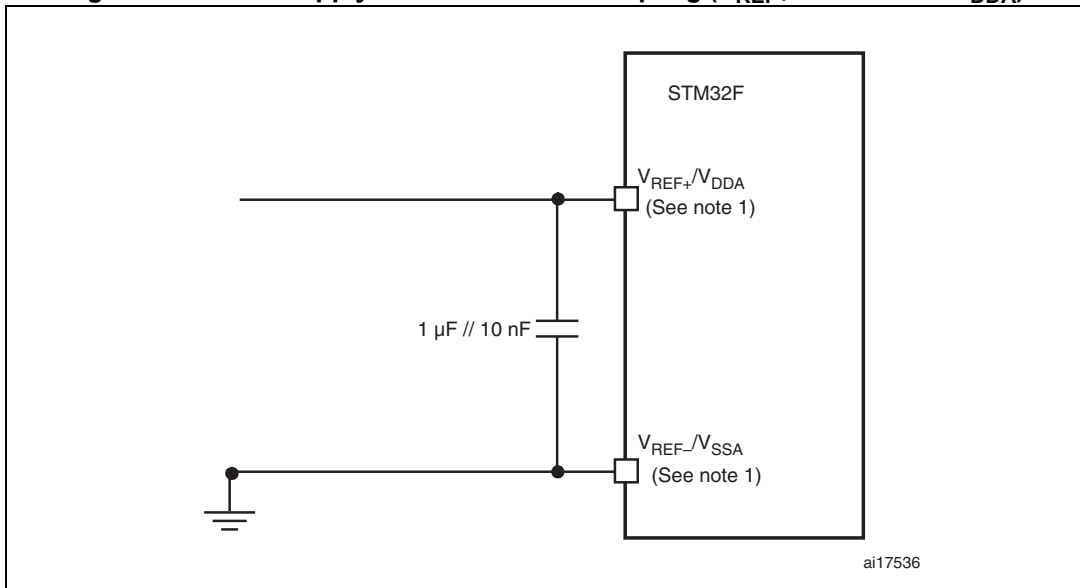
Power supply decoupling should be performed as shown in *Figure 52* or *Figure 53*, depending on whether  $V_{REF+}$  is connected to  $V_{DDA}$  or not. The 10 nF capacitors should be ceramic (good quality). They should be placed as close as possible to the chip.

**Figure 52. Power supply and reference decoupling ( $V_{REF+}$  not connected to  $V_{DDA}$ )**



1.  $V_{REF+}$  and  $V_{REF-}$  inputs are both available on UFBGA176.  $V_{REF+}$  is also available on LQFP100, LQFP144, and LQFP176. When  $V_{REF+}$  and  $V_{REF-}$  are not available, they are internally connected to  $V_{DDA}$  and  $V_{SSA}$ .

**Figure 53. Power supply and reference decoupling ( $V_{REF+}$  connected to  $V_{DDA}$ )**



1.  $V_{REF+}$  and  $V_{REF-}$  inputs are both available on UFBGA176.  $V_{REF+}$  is also available on LQFP100, LQFP144, and LQFP176. When  $V_{REF+}$  and  $V_{REF-}$  are not available, they are internally connected to  $V_{DDA}$  and  $V_{SSA}$ .

### 5.3.21 Temperature sensor characteristics

Table 69. Temperature sensor characteristics

| Symbol                   | Parameter  | Min | Typ     | Max     | Unit                   |
|--------------------------|--|-----|---------|---------|------------------------|
| $T_L^{(1)}$              | $V_{SENSE}$ linearity with temperature   | -   | $\pm 1$ | $\pm 2$ | $^{\circ}\text{C}$     |
| Avg_Slope <sup>(1)</sup> | Average slope  | -   | 2.5     |         | mV/ $^{\circ}\text{C}$ |
| $V_{25}^{(1)}$           | Voltage at 25 $^{\circ}\text{C}$   | -   | 0.76    |         | V                      |
| $t_{START}^{(2)}$        | Startup time   | -   | 6       | 10      | $\mu\text{s}$          |
| $T_{S\_temp}^{(3)(2)}$   | ADC sampling time when reading the temperature (1 $^{\circ}\text{C}$ accuracy) | 10  | -       | -       | $\mu\text{s}$          |

1. Based on characterization, not tested in production.
2. Guaranteed by design, not tested in production.
3. Shortest sampling time can be determined in the application by multiple iterations.

Table 70. Temperature sensor calibration values

| Symbol  | Parameter  | Memory address            |
|---------|--|---------------------------|
| TS_CAL1 | TS ADC raw data acquired at temperature of 30 $^{\circ}\text{C}$ , $V_{DDA}=3.3\text{ V}$  | 0x1FFF 7A2C - 0x1FFF 7A2D |
| TS_CAL2 | TS ADC raw data acquired at temperature of 110 $^{\circ}\text{C}$ , $V_{DDA}=3.3\text{ V}$ | 0x1FFF 7A2E - 0x1FFF 7A2F |

### 5.3.22 $V_{BAT}$ monitoring characteristics

Table 71.  $V_{BAT}$  monitoring characteristics

| Symbol                 | Parameter   | Min | Typ | Max | Unit             |
|------------------------|---|-----|-----|-----|------------------|
| R                      | Resistor bridge for $V_{BAT}$                                 | -   | 50  | -   | $\text{K}\Omega$ |
| Q                      | Ratio on $V_{BAT}$ measurement                                | -   | 2   | -   |                  |
| $E_r^{(1)}$            | Error on Q  | -1  | -   | +1  | %                |
| $T_{S\_vbat}^{(2)(2)}$ | ADC sampling time when reading the $V_{BAT}$<br>1 mV accuracy | 5   | -   | -   | $\mu\text{s}$    |

1. Guaranteed by design, not tested in production.
2. Shortest sampling time can be determined in the application by multiple iterations.

### 5.3.23 Embedded reference voltage

The parameters given in [Table 72](#) are derived from tests performed under ambient temperature and  $V_{DD}$  supply voltage conditions summarized in [Table 14](#).

**Table 72. Embedded internal reference voltage**

| Symbol                 | Parameter   | Conditions   | Min  | Typ  | Max  | Unit                    |
|------------------------|---|--|------|------|------|-------------------------|
| $V_{REFINT}$           | Internal reference voltage                                    | $-40\text{ }^{\circ}\text{C} < T_A < +105\text{ }^{\circ}\text{C}$ | 1.18 | 1.21 | 1.24 | V                       |
| $T_{S\_vrefint}^{(1)}$ | ADC sampling time when reading the internal reference voltage |  | 10   | -    | -    | $\mu\text{s}$           |
| $V_{RERINT\_s}^{(2)}$  | Internal reference voltage spread over the temperature range  | $V_{DD} = 3\text{ V}$  | -    | 3    | 5    | mV                      |
| $T_{Coeff}^{(2)}$      | Temperature coefficient                                       |  | -    | 30   | 50   | ppm/ $^{\circ}\text{C}$ |
| $t_{START}^{(2)}$      | Startup time  |  | -    | 6    | 10   | $\mu\text{s}$           |

1. Shortest sampling time can be determined in the application by multiple iterations.
2. Guaranteed by design, not tested in production.

**Table 73. Internal reference voltage calibration values**

| Symbol           | Parameter  | Memory address            |
|------------------|--|---------------------------|
| $V_{REFIN\_CAL}$ | Raw data acquired at temperature of 30 $^{\circ}\text{C}$ , $V_{DDA}=3.3\text{ V}$ | 0x1FFF 7A2A - 0x1FFF 7A2B |

### 5.3.24 DAC electrical characteristics

**Table 74. DAC characteristics**

| Symbol                     | Parameter                             | Min                | Typ | Max             | Unit       | Comments  |
|----------------------------|---------------------------------------|--------------------|-----|-----------------|------------|---|
| $V_{DDA}$                  | Analog supply voltage                 | 1.8 <sup>(1)</sup> | -   | 3.6             | V          |   |
| $V_{REF+}$                 | Reference supply voltage              | 1.8 <sup>(1)</sup> | -   | 3.6             | V          | $V_{REF+} \leq V_{DDA}$   |
| $V_{SSA}$                  | Ground                                | 0                  | -   | 0               | V          |   |
| $R_{LOAD}^{(2)}$           | Resistive load with buffer ON         | 5                  | -   | -               | k $\Omega$ |   |
| $R_O^{(2)}$                | Impedance output with buffer OFF      | -                  | -   | 15              | k $\Omega$ | When the buffer is OFF, the Minimum resistive load between DAC_OUT and $V_{SS}$ to have a 1% accuracy is 1.5 M $\Omega$   |
| $C_{LOAD}^{(2)}$           | Capacitive load                       | -                  | -   | 50              | pF         | Maximum capacitive load at DAC_OUT pin (when the buffer is ON).   |
| DAC_OUT_min <sup>(2)</sup> | Lower DAC_OUT voltage with buffer ON  | 0.2                | -   | -               | V          | It gives the maximum output excursion of the DAC. It corresponds to 12-bit input code (0x0E0) to (0xF1C) at $V_{REF+} = 3.6\text{ V}$ and (0x1C7) to (0xE38) at $V_{REF+} = 1.8\text{ V}$ |
| DAC_OUT_max <sup>(2)</sup> | Higher DAC_OUT voltage with buffer ON | -                  | -   | $V_{DDA} - 0.2$ | V          |   |



Table 74. DAC characteristics (continued)

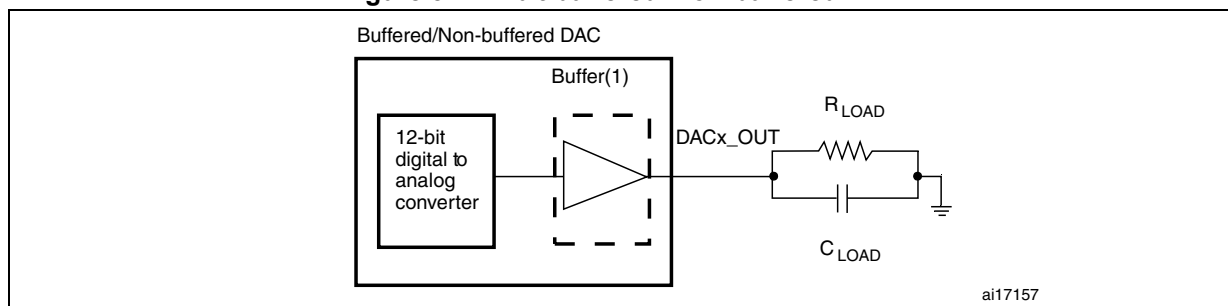
| Symbol                               | Parameter  | Min | Typ | Max                      | Unit | Comments   |
|--------------------------------------|--|-----|-----|--------------------------|------|--|
| DAC_OUT_min <sup>(2)</sup>           | Lower DAC_OUT voltage with buffer OFF  | -   | 0.5 | -                        | mV   | It gives the maximum output excursion of the DAC.  |
| DAC_OUT_max <sup>(2)</sup>           | Higher DAC_OUT voltage with buffer OFF   | -   | -   | V <sub>REF+</sub> - 1LSB | V    |  |
| I <sub>VREF+</sub> <sup>(4)</sup>    | DAC DC V <sub>REF</sub> current consumption in quiescent mode (Standby mode)   | -   | 170 | 240                      | μA   | With no load, worst code (0x800) at V <sub>REF+</sub> = 3.6 V in terms of DC consumption on the inputs |
|                                      |  | -   | 50  | 75                       |      | With no load, worst code (0xF1C) at V <sub>REF+</sub> = 3.6 V in terms of DC consumption on the inputs |
| I <sub>DDA</sub> <sup>(4)</sup>      | DAC DC VDDA current consumption in quiescent mode <sup>(3)</sup>   | -   | 280 | 380                      | μA   | With no load, middle code (0x800) on the inputs  |
|                                      |  | -   | 475 | 625                      | μA   | With no load, worst code (0xF1C) at V <sub>REF+</sub> = 3.6 V in terms of DC consumption on the inputs |
| DNL <sup>(4)</sup>                   | Differential non linearity<br>Difference between two consecutive code-1LSB)  | -   | -   | ±0.5                     | LSB  | Given for the DAC in 10-bit configuration.   |
|                                      |  | -   | -   | ±2                       | LSB  | Given for the DAC in 12-bit configuration.   |
| INL <sup>(4)</sup>                   | Integral non linearity<br>(difference between measured value at Code i and the value at Code i on a line drawn between Code 0 and last Code 1023)    | -   | -   | ±1                       | LSB  | Given for the DAC in 10-bit configuration.   |
|                                      |  | -   | -   | ±4                       | LSB  | Given for the DAC in 12-bit configuration.   |
| Offset <sup>(4)</sup>                | Offset error<br>(difference between measured value at Code (0x800) and the ideal value = V <sub>REF+</sub> /2)                                       | -   | -   | ±10                      | mV   | Given for the DAC in 12-bit configuration  |
|                                      |  | -   | -   | ±3                       | LSB  | Given for the DAC in 10-bit at V <sub>REF+</sub> = 3.6 V   |
|                                      |  | -   | -   | ±12                      | LSB  | Given for the DAC in 12-bit at V <sub>REF+</sub> = 3.6 V   |
| Gain error <sup>(4)</sup>            | Gain error   | -   | -   | ±0.5                     | %    | Given for the DAC in 12-bit configuration  |
| t <sub>SETTLING</sub> <sup>(4)</sup> | Settling time (full scale: for a 10-bit input code transition between the lowest and the highest input codes when DAC_OUT reaches final value ±4LSB) | -   | 3   | 6                        | μs   | C <sub>LOAD</sub> ≤ 50 pF,<br>R <sub>LOAD</sub> ≥ 5 kΩ   |
| THD <sup>(4)</sup>                   | Total Harmonic Distortion<br>Buffer ON   | -   | -   | -                        | dB   | C <sub>LOAD</sub> ≤ 50 pF,<br>R <sub>LOAD</sub> ≥ 5 kΩ   |

Table 74. DAC characteristics (continued)

| Symbol                             | Parameter   | Min | Typ | Max | Unit | Comments   |
|------------------------------------|---|-----|-----|-----|------|--|
| Update rate <sup>(2)</sup>         | Max frequency for a correct DAC_OUT change when small variation in the input code (from code i to i+1LSB) | -   | -   | 1   | MS/s | C <sub>LOAD</sub> ≤ 50 pF, R <sub>LOAD</sub> ≥ 5 kΩ  |
| t <sub>WAKEUP</sub> <sup>(4)</sup> | Wakeup time from off state (Setting the ENx bit in the DAC Control register)                              | -   | 6.5 | 10  | μs   | C <sub>LOAD</sub> ≤ 50 pF, R <sub>LOAD</sub> ≥ 5 kΩ input code between lowest and highest possible ones. |
| PSRR+ <sup>(2)</sup>               | Power supply rejection ratio (to V <sub>DDA</sub> ) (static DC measurement)                               | -   | -67 | -40 | dB   | No R <sub>LOAD</sub> , C <sub>LOAD</sub> = 50 pF   |

1. V<sub>DD</sub>/V<sub>DDA</sub> minimum value of 1.7 V is obtained when the device operates in reduced temperature range, and with the use of an external power supply supervisor (refer to [Section : Internal reset OFF](#)).
2. Guaranteed by design, not tested in production.
3. The quiescent mode corresponds to a state where the DAC maintains a stable output level to ensure that no dynamic consumption occurs.
4. Guaranteed by characterization, not tested in production.

Figure 54. 12-bit buffered /non-buffered DAC



1. The DAC integrates an output buffer that can be used to reduce the output impedance and to drive external loads directly without the use of an external operational amplifier. The buffer can be bypassed by configuring the BOFFx bit in the DAC\_CR register.

### 5.3.25 FSMC characteristics

Unless otherwise specified, the parameters given in [Table 75](#) to [Table 86](#) for the FSMC interface are derived from tests performed under the ambient temperature, f<sub>HCLK</sub> frequency and V<sub>DD</sub> supply voltage conditions summarized in [Table 14](#), with the following configuration:

- Output speed is set to OSPEEDRy[1:0] = 10
- Capacitive load C = 30 pF
- Measurement points are done at CMOS levels: 0.5V<sub>DD</sub>

Refer to [Section 5.3.16: I/O port characteristics](#) for more details on the input/output characteristics.

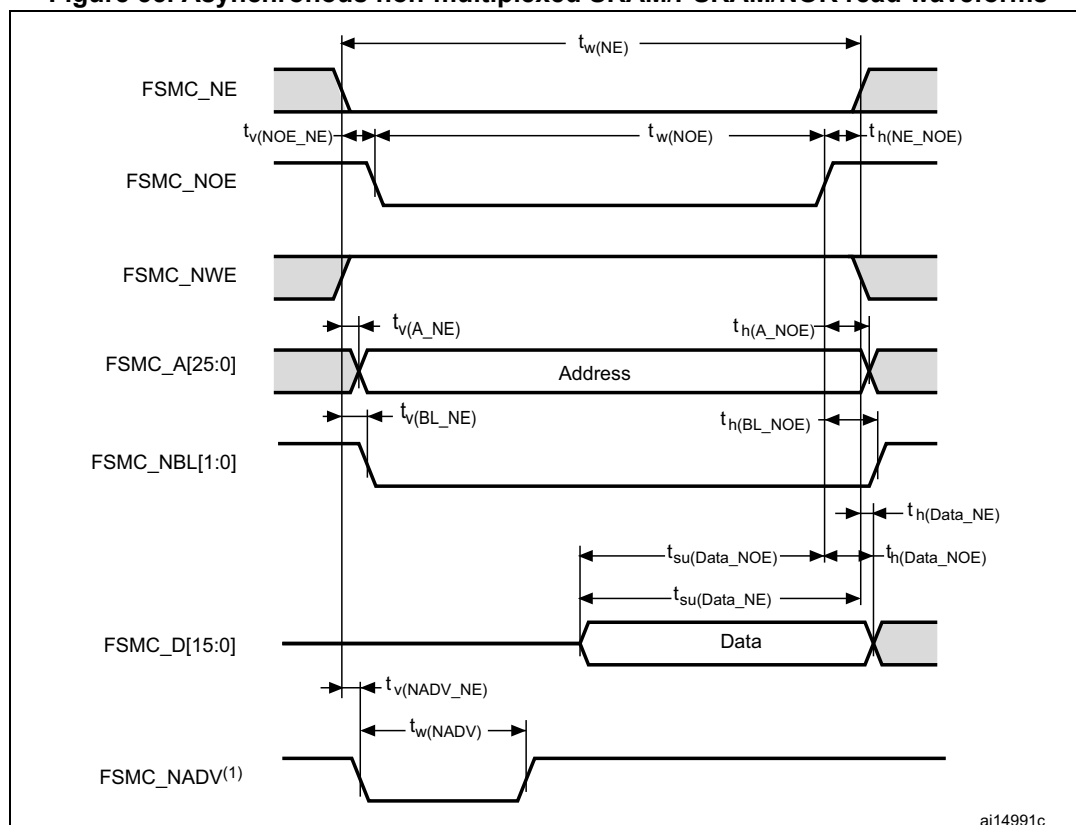
**Asynchronous waveforms and timings**

Figure 55 through Figure 58 represent asynchronous waveforms and Table 75 through Table 78 provide the corresponding timings. The results shown in these tables are obtained with the following FSMC configuration:

- AddressSetupTime = 1
- AddressHoldTime = 0x1
- DataSetupTime = 0x1
- BusTurnAroundDuration = 0x0

In all timing tables, the  $T_{HCLK}$  is the HCLK clock period.

**Figure 55. Asynchronous non-multiplexed SRAM/PSRAM/NOR read waveforms**



1. Mode 2/B, C and D only. In Mode 1, FSMC\_NADV is not used.

**Table 75. Asynchronous non-multiplexed SRAM/PSRAM/NOR read timings<sup>(1)(2)</sup>**

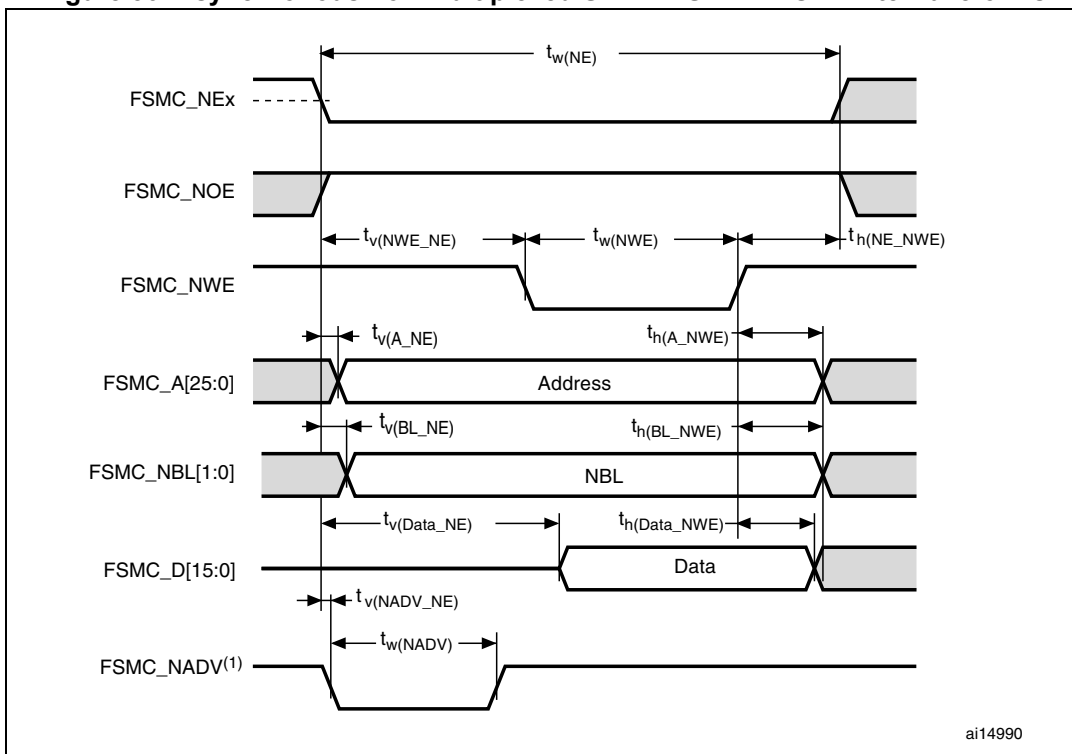
| Symbol           | Parameter                               | Min             | Max            | Unit |
|------------------|---|-----------------|----------------|------|
| $t_{w(NE)}$      | FSMC_NE low time                        | $2T_{HCLK}-0.5$ | $2 T_{HCLK}+1$ | ns   |
| $t_{v(NOE\_NE)}$ | FSMC_NEx low to FSMC_NOE low            | 0.5             | 3              | ns   |
| $t_{w(NOE)}$     | FSMC_NOE low time                       | $2T_{HCLK}-2$   | $2T_{HCLK}+ 2$ | ns   |
| $t_{h(NE\_NOE)}$ | FSMC_NOE high to FSMC_NE high hold time | 0               | -              | ns   |
| $t_{v(A\_NE)}$   | FSMC_NEx low to FSMC_A valid            | -               | 4.5            | ns   |
| $t_{h(A\_NOE)}$  | Address hold time after FSMC_NOE high   | 4               | -              | ns   |

**Table 75. Asynchronous non-multiplexed SRAM/PSRAM/NOR read timings<sup>(1)(2)</sup>**

|                     |                                       |              |            |    |
|---------------------|---------------------------------------|--------------|------------|----|
| $t_{v(BL\_NE)}$     | FSMC_NEx low to FSMC_BL valid         | -            | 1.5        | ns |
| $t_{h(BL\_NOE)}$    | FSMC_BL hold time after FSMC_NOE high | 0            | -          | ns |
| $t_{su(Data\_NE)}$  | Data to FSMC_NEx high setup time      | $T_{HCLK}+4$ | -          | ns |
| $t_{su(Data\_NOE)}$ | Data to FSMC_NOEx high setup time     | $T_{HCLK}+4$ | -          | ns |
| $t_{h(Data\_NOE)}$  | Data hold time after FSMC_NOE high    | 0            | -          | ns |
| $t_{h(Data\_NE)}$   | Data hold time after FSMC_NEx high    | 0            | -          | ns |
| $t_{v(NADV\_NE)}$   | FSMC_NEx low to FSMC_NADV low         | -            | 2          | ns |
| $t_{w(NADV)}$       | FSMC_NADV low time                    | -            | $T_{HCLK}$ | ns |

1.  $C_L = 30$  pF.
2. Based on characterization, not tested in production.

**Figure 56. Asynchronous non-multiplexed SRAM/PSRAM/NOR write waveforms**



1. Mode 2/B, C and D only. In Mode 1, FSMC\_NADV is not used.

**Table 76. Asynchronous non-multiplexed SRAM/PSRAM/NOR write timings<sup>(1)(2)</sup>**

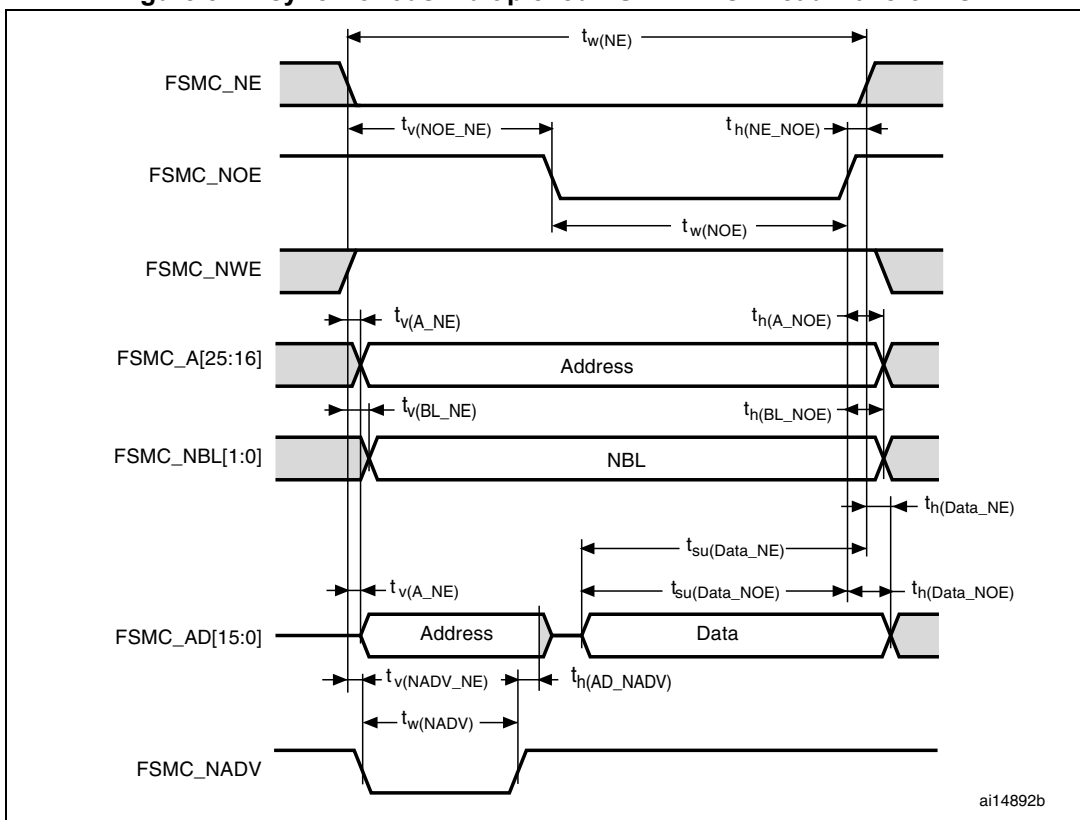
| Symbol           | Parameter                               | Min            | Max             | Unit |
|------------------|---|----------------|-----------------|------|
| $t_{w(NE)}$      | FSMC_NE low time                        | $3T_{HCLK}$    | $3T_{HCLK} + 4$ | ns   |
| $t_{v(NWE\_NE)}$ | FSMC_NEx low to FSMC_NWE low            | $T_{HCLK}-0.5$ | $T_{HCLK}+0.5$  | ns   |
| $t_{w(NWE)}$     | FSMC_NWE low time                       | $T_{HCLK}-1$   | $T_{HCLK}+2$    | ns   |
| $t_{h(NE\_NWE)}$ | FSMC_NWE high to FSMC_NE high hold time | $T_{HCLK}-1$   | -               | ns   |
| $t_{v(A\_NE)}$   | FSMC_NEx low to FSMC_A valid            | -              | 0               | ns   |

**Table 76. Asynchronous non-multiplexed SRAM/PSRAM/NOR write timings<sup>(1)(2)</sup>**

|                    |                                       |              |                |    |
|--------------------|---------------------------------------|--------------|----------------|----|
| $t_{h(A\_NWE)}$    | Address hold time after FSMC_NWE high | $T_{HCLK}-2$ | -              | ns |
| $t_{v(BL\_NE)}$    | FSMC_NEx low to FSMC_BL valid         | -            | 1.5            | ns |
| $t_{h(BL\_NWE)}$   | FSMC_BL hold time after FSMC_NWE high | $T_{HCLK}-1$ | -              | ns |
| $t_{v(Data\_NE)}$  | Data to FSMC_NEx low to Data valid    | -            | $T_{HCLK}+3$   | ns |
| $t_{h(Data\_NWE)}$ | Data hold time after FSMC_NWE high    | $T_{HCLK}-1$ | -              | ns |
| $t_{v(NADV\_NE)}$  | FSMC_NEx low to FSMC_NADV low         | -            | 2              | ns |
| $t_{w(NADV)}$      | FSMC_NADV low time                    | -            | $T_{HCLK}+0.5$ | ns |

1.  $C_L = 30$  pF.
2. Based on characterization, not tested in production.

**Figure 57. Asynchronous multiplexed PSRAM/NOR read waveforms**



**Table 77. Asynchronous multiplexed PSRAM/NOR read timings<sup>(1)(2)</sup>**

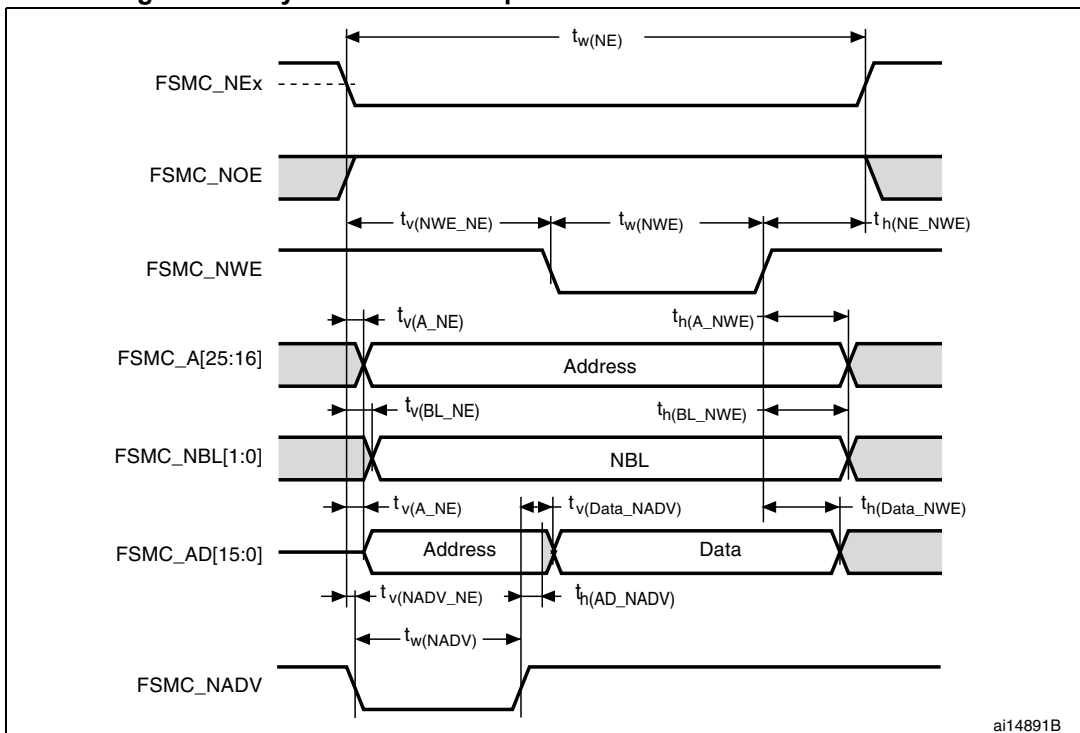
| Symbol           | Parameter                               | Min             | Max             | Unit |
|------------------|---|-----------------|-----------------|------|
| $t_{w(NE)}$      | FSMC_NE low time                        | $3T_{HCLK}-1$   | $3T_{HCLK}+1$   | ns   |
| $t_{v(NOE\_NE)}$ | FSMC_NEx low to FSMC_NOE low            | $2T_{HCLK}-0.5$ | $2T_{HCLK}+0.5$ | ns   |
| $t_{w(NOE)}$     | FSMC_NOE low time                       | $T_{HCLK}-1$    | $T_{HCLK}+1$    | ns   |
| $t_{h(NE\_NOE)}$ | FSMC_NOE high to FSMC_NE high hold time | 0               | -               | ns   |
| $t_{v(A\_NE)}$   | FSMC_NEx low to FSMC_A valid            | -               | 3               | ns   |

**Table 77. Asynchronous multiplexed PSRAM/NOR read timings<sup>(1)(2)</sup> (continued)**

|                     |  |              |              |    |
|---------------------|--|--------------|--------------|----|
| $t_{v(NADV\_NE)}$   | FSMC_NEx low to FSMC_NADV low                        | 1            | 2            | ns |
| $t_{w(NADV)}$       | FSMC_NADV low time                                   | $T_{HCLK}-2$ | $T_{HCLK}+1$ | ns |
| $t_{h(AD\_NADV)}$   | FSMC_AD(adress) valid hold time after FSMC_NADV high | $T_{HCLK}$   | -            | ns |
| $t_{h(A\_NOE)}$     | Address hold time after FSMC_NOE high                | $T_{HCLK}-1$ | -            | ns |
| $t_{h(BL\_NOE)}$    | FSMC_BL time after FSMC_NOE high                     | 0            | -            | ns |
| $t_{v(BL\_NE)}$     | FSMC_NEx low to FSMC_BL valid                        | -            | 2            | ns |
| $t_{su(Data\_NE)}$  | Data to FSMC_NEx high setup time                     | $T_{HCLK}+4$ | -            | ns |
| $t_{su(Data\_NOE)}$ | Data to FSMC_NOE high setup time                     | $T_{HCLK}+4$ | -            | ns |
| $t_{h(Data\_NE)}$   | Data hold time after FSMC_NEx high                   | 0            | -            | ns |
| $t_{h(Data\_NOE)}$  | Data hold time after FSMC_NOE high                   | 0            | -            | ns |

1.  $C_L = 30$  pF.
2. Based on characterization, not tested in production.

**Figure 58. Asynchronous multiplexed PSRAM/NOR write waveforms**



**Table 78. Asynchronous multiplexed PSRAM/NOR write timings<sup>(1)(2)</sup>**

| Symbol           | Parameter                    | Min             | Max            | Unit |
|------------------|------------------------------|-----------------|----------------|------|
| $t_{w(NE)}$      | FSMC_NE low time             | $4T_{HCLK}-0.5$ | $4T_{HCLK}+3$  | ns   |
| $t_{v(NWE\_NE)}$ | FSMC_NEx low to FSMC_NWE low | $T_{HCLK}-0.5$  | $T_{HCLK}-0.5$ | ns   |
| $t_{w(NWE)}$     | FSMC_NWE low time            | $2T_{HCLK}-0.5$ | $2T_{HCLK}+3$  | ns   |

**Table 78. Asynchronous multiplexed PSRAM/NOR write timings<sup>(1)(2)</sup>**

|                     |   |              |                |    |
|---------------------|---|--------------|----------------|----|
| $t_{h(NE\_NWE)}$    | FSMC_NWE high to FSMC_NE high hold time               | $T_{HCLK}$   | -              | ns |
| $t_{v(A\_NE)}$      | FSMC_NEx low to FSMC_A valid                          | -            | 0              | ns |
| $t_{v(NADV\_NE)}$   | FSMC_NEx low to FSMC_NADV low                         | 1            | 2              | ns |
| $t_{w(NADV)}$       | FSMC_NADV low time                                    | $T_{HCLK}-2$ | $T_{HCLK}+1$   | ns |
| $t_{h(AD\_NADV)}$   | FSMC_AD(address) valid hold time after FSMC_NADV high | $T_{HCLK}-2$ | -              | ns |
| $t_{h(A\_NWE)}$     | Address hold time after FSMC_NWE high                 | $T_{HCLK}$   | -              | ns |
| $t_{h(BL\_NWE)}$    | FSMC_BL hold time after FSMC_NWE high                 | $T_{HCLK}-2$ | -              | ns |
| $t_{v(BL\_NE)}$     | FSMC_NEx low to FSMC_BL valid                         | -            | 1.5            | ns |
| $t_{v(Data\_NADV)}$ | FSMC_NADV high to Data valid                          | -            | $T_{HCLK}-0.5$ | ns |
| $t_{h(Data\_NWE)}$  | Data hold time after FSMC_NWE high                    | $T_{HCLK}$   | -              | ns |

1.  $C_L = 30$  pF.
2. Based on characterization, not tested in production.

### Synchronous waveforms and timings

[Figure 59](#) through [Figure 62](#) represent synchronous waveforms and [Table 80](#) through [Table 82](#) provide the corresponding timings. The results shown in these tables are obtained with the following FSMC configuration:

- BurstAccessMode = FSMC\_BurstAccessMode\_Enable;
- MemoryType = FSMC\_MemoryType\_CRAM;
- WriteBurst = FSMC\_WriteBurst\_Enable;
- CLKDivision = 1; (0 is not supported, see the STM32F40xxx/41xxx reference manual)
- DataLatency = 1 for NOR Flash; DataLatency = 0 for PSRAM

In all timing tables, the  $T_{HCLK}$  is the HCLK clock period (with maximum FSMC\_CLK = 60 MHz).

Figure 59. Synchronous multiplexed NOR/PSRAM read timings

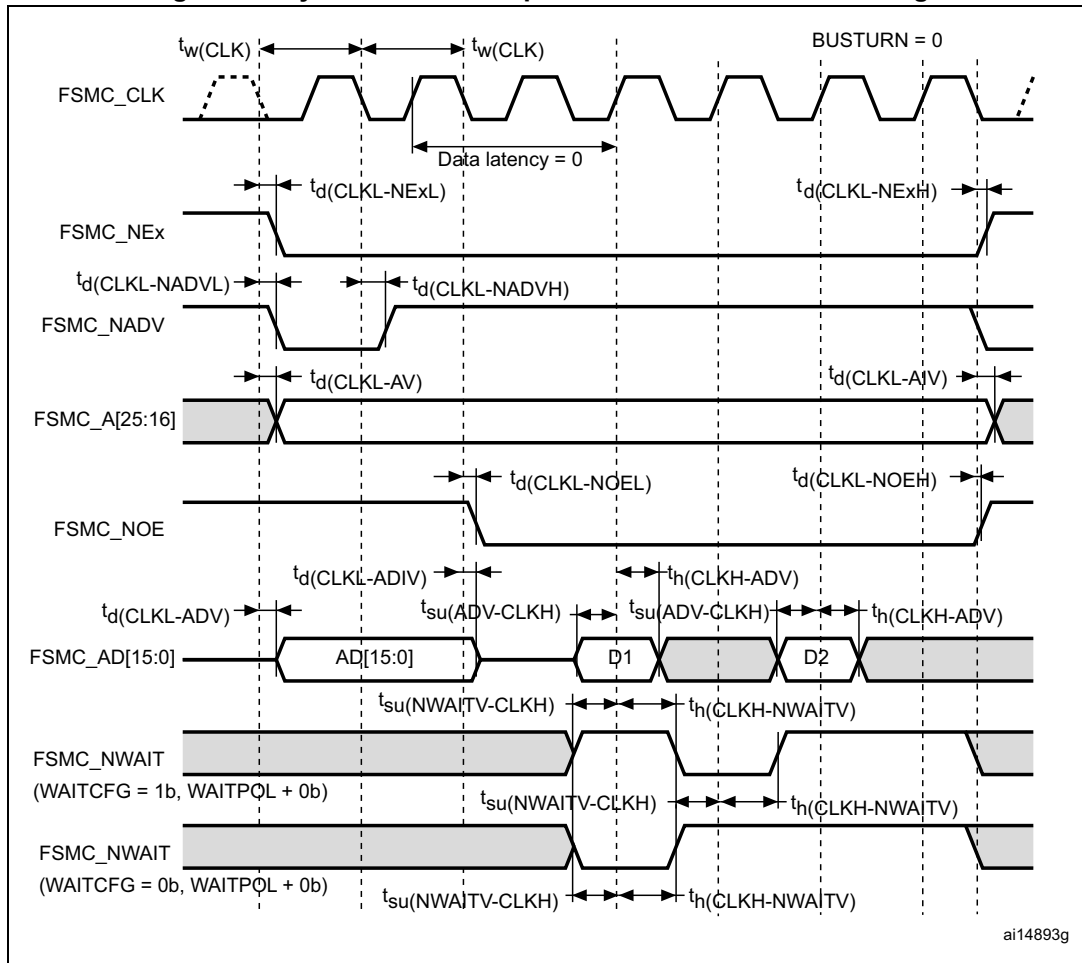


Table 79. Synchronous multiplexed NOR/PSRAM read timings<sup>(1)(2)</sup>

| Symbol                    | Parameter                                      | Min                | Max | Unit |
|---------------------------|--|--------------------|-----|------|
| $t_w(\text{CLK})$         | FSMC_CLK period                                | $2T_{\text{HCLK}}$ | -   | ns   |
| $t_d(\text{CLKL-NExL})$   | FSMC_CLK low to FSMC_NEx low (x=0..2)          | -                  | 0   | ns   |
| $t_d(\text{CLKL-NExH})$   | FSMC_CLK low to FSMC_NEx high (x= 0...2)       | 2                  | -   | ns   |
| $t_d(\text{CLKL-NADV})$   | FSMC_CLK low to FSMC_NADV low                  | -                  | 2   | ns   |
| $t_d(\text{CLKL-NADVH})$  | FSMC_CLK low to FSMC_NADV high                 | 2                  | -   | ns   |
| $t_d(\text{CLKL-ADV})$    | FSMC_CLK low to FSMC_Ax valid (x=16...25)      | -                  | 0   | ns   |
| $t_d(\text{CLKL-AIV})$    | FSMC_CLK low to FSMC_Ax invalid (x=16...25)    | 0                  | -   | ns   |
| $t_d(\text{CLKL-NOEL})$   | FSMC_CLK low to FSMC_NOE low                   | -                  | 0   | ns   |
| $t_d(\text{CLKL-NOEH})$   | FSMC_CLK low to FSMC_NOE high                  | 2                  | -   | ns   |
| $t_d(\text{CLKL-ADV})$    | FSMC_CLK low to FSMC_AD[15:0] valid            | -                  | 4.5 | ns   |
| $t_d(\text{CLKL-ADIV})$   | FSMC_CLK low to FSMC_AD[15:0] invalid          | 0                  | -   | ns   |
| $t_{su}(\text{ADV-CLKH})$ | FSMC_A/D[15:0] valid data before FSMC_CLK high | 6                  | -   | ns   |

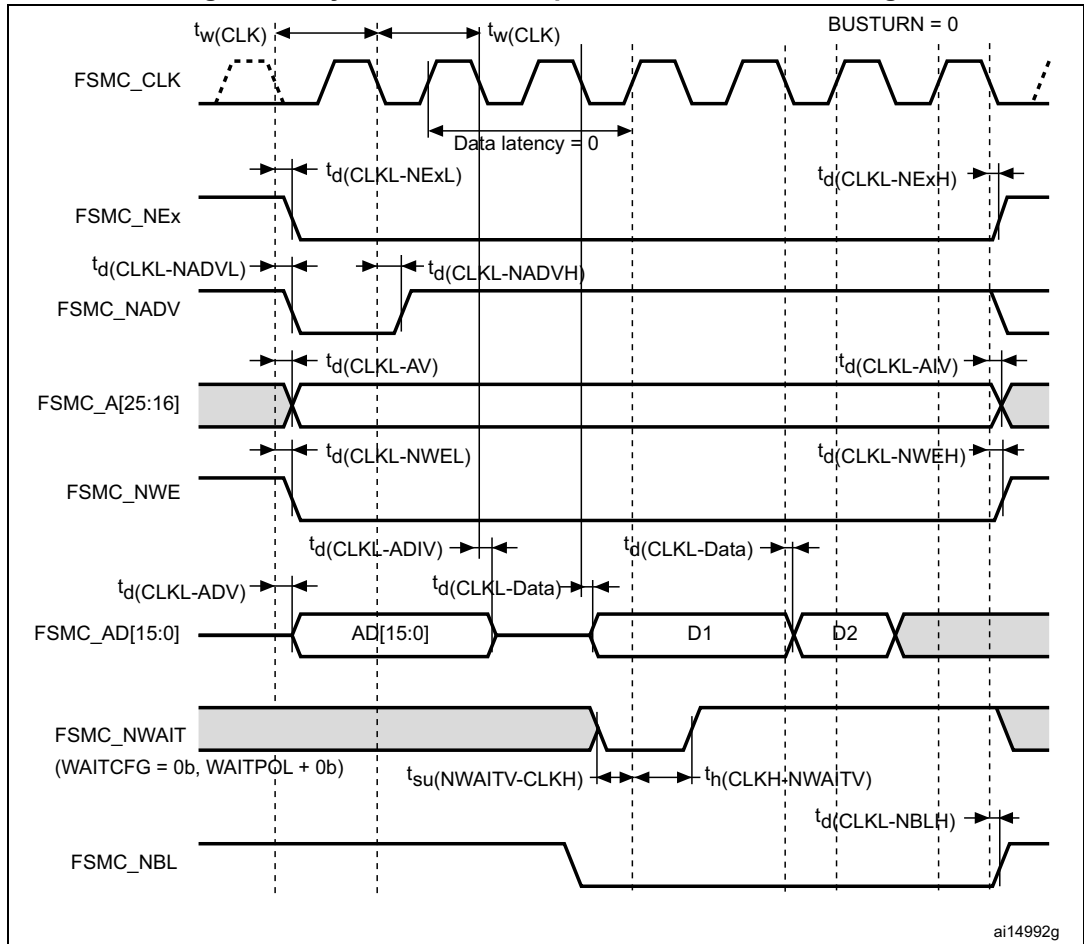


**Table 79. Synchronous multiplexed NOR/PSRAM read timings<sup>(1)(2)</sup> (continued)**

|                      |  |   |   |    |
|----------------------|--|---|---|----|
| $t_{h(CLKH-ADV)}$    | FSMC_AD[15:0] valid data after FSMC_CLK high | 0 | - | ns |
| $t_{su(NWAIT-CLKH)}$ | FSMC_NWAIT valid before FSMC_CLK high        | 4 | - | ns |
| $t_{h(CLKH-NWAIT)}$  | FSMC_NWAIT valid after FSMC_CLK high         | 0 | - | ns |

1.  $C_L = 30$  pF.
2. Based on characterization, not tested in production.

**Figure 60. Synchronous multiplexed PSRAM write timings**



**Table 80. Synchronous multiplexed PSRAM write timings<sup>(1)(2)</sup>**

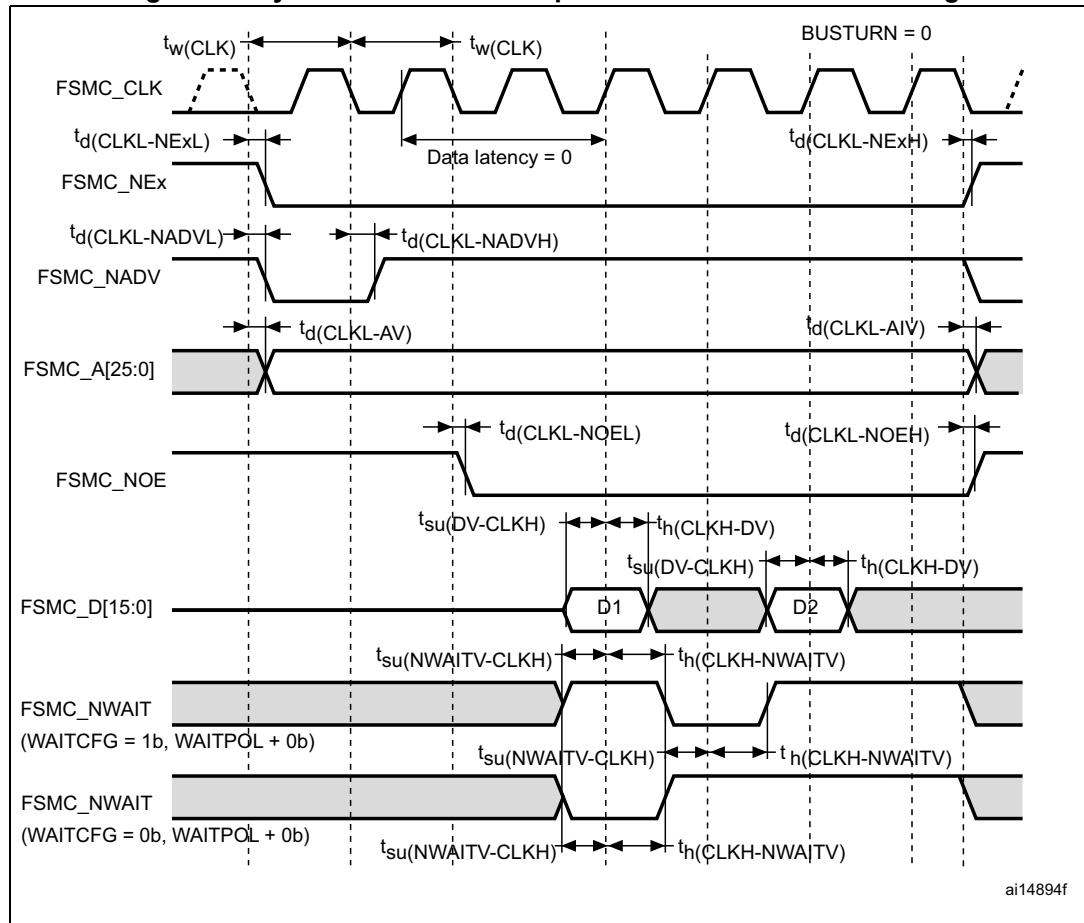
| Symbol              | Parameter                                 | Min         | Max | Unit |
|---------------------|---|-------------|-----|------|
| $t_{w(CLK)}$        | FSMC_CLK period                           | $2T_{HCLK}$ | -   | ns   |
| $t_{d(CLKL-NExL)}$  | FSMC_CLK low to FSMC_NEx low (x=0..2)     | -           | 1   | ns   |
| $t_{d(CLKL-NExH)}$  | FSMC_CLK low to FSMC_NEx high (x= 0...2)  | 1           | -   | ns   |
| $t_{d(CLKL-NADVl)}$ | FSMC_CLK low to FSMC_NADV low             | -           | 0   | ns   |
| $t_{d(CLKL-NADVh)}$ | FSMC_CLK low to FSMC_NADV high            | 0           | -   | ns   |
| $t_{d(CLKL-AV)}$    | FSMC_CLK low to FSMC_Ax valid (x=16...25) | -           | 0   | ns   |

**Table 80. Synchronous multiplexed PSRAM write timings<sup>(1)(2)</sup>**

|                      |  |   |     |    |
|----------------------|--|---|-----|----|
| $t_{d(CLKL-AIV)}$    | FSMC_CLK low to FSMC_Ax invalid (x=16...25)  | 8 | -   | ns |
| $t_{d(CLKL-NWEL)}$   | FSMC_CLK low to FSMC_NWE low                 | - | 0.5 | ns |
| $t_{d(CLKL-NWEH)}$   | FSMC_CLK low to FSMC_NWE high                | 0 | -   | ns |
| $t_{d(CLKL-ADIV)}$   | FSMC_CLK low to FSMC_AD[15:0] invalid        | 0 | -   | ns |
| $t_{d(CLKL-DATA)}$   | FSMC_A/D[15:0] valid data after FSMC_CLK low | - | 3   | ns |
| $t_{d(CLKL-NBLH)}$   | FSMC_CLK low to FSMC_NBL high                | 0 | -   | ns |
| $t_{su(NWAIT-CLKH)}$ | FSMC_NWAIT valid before FSMC_CLK high        | 4 | -   | ns |
| $t_h(CLKH-NWAIT)$    | FSMC_NWAIT valid after FSMC_CLK high         | 0 | -   | ns |

1.  $C_L = 30$  pF.
2. Based on characterization, not tested in production.

**Figure 61. Synchronous non-multiplexed NOR/PSRAM read timings**



**Table 81. Synchronous non-multiplexed NOR/PSRAM read timings<sup>(1)(2)</sup>**

| Symbol             | Parameter                             | Min               | Max | Unit |
|--------------------|---------------------------------------|-------------------|-----|------|
| $t_w(CLK)$         | FSMC_CLK period                       | $2T_{HCLK} - 0.5$ | -   | ns   |
| $t_{d(CLKL-NEXL)}$ | FSMC_CLK low to FSMC_NEx low (x=0..2) | -                 | 0.5 | ns   |

**Table 81. Synchronous non-multiplexed NOR/PSRAM read timings<sup>(1)(2)</sup> (continued)**

|                      |  |     |     |    |
|----------------------|--|-----|-----|----|
| $t_{d(CLKL-NExH)}$   | FSMC_CLK low to FSMC_NEx high (x= 0...2)     | 0   | -   | ns |
| $t_{d(CLKL-NADV L)}$ | FSMC_CLK low to FSMC_NADV low                | -   | 2   | ns |
| $t_{d(CLKL-NADV H)}$ | FSMC_CLK low to FSMC_NADV high               | 3   | -   | ns |
| $t_{d(CLKL-AV)}$     | FSMC_CLK low to FSMC_Ax valid (x=16...25)    | -   | 0   | ns |
| $t_{d(CLKL-AIV)}$    | FSMC_CLK low to FSMC_Ax invalid (x=16...25)  | 2   | -   | ns |
| $t_{d(CLKL-NOEL)}$   | FSMC_CLK low to FSMC_NOE low                 | -   | 0.5 | ns |
| $t_{d(CLKL-NOEH)}$   | FSMC_CLK low to FSMC_NOE high                | 1.5 | -   | ns |
| $t_{su(DV-CLKH)}$    | FSMC_D[15:0] valid data before FSMC_CLK high | 6   | -   | ns |
| $t_h(CLKH-DV)$       | FSMC_D[15:0] valid data after FSMC_CLK high  | 3   | -   | ns |
| $t_{su(NWAIT-CLKH)}$ | FSMC_NWAIT valid before FSMC_CLK high        | 4   | -   | ns |
| $t_h(CLKH-NWAIT)$    | FSMC_NWAIT valid after FSMC_CLK high         | 0   | -   | ns |

1.  $C_L = 30$  pF.
2. Based on characterization, not tested in production.

**Figure 62. Synchronous non-multiplexed PSRAM write timings**

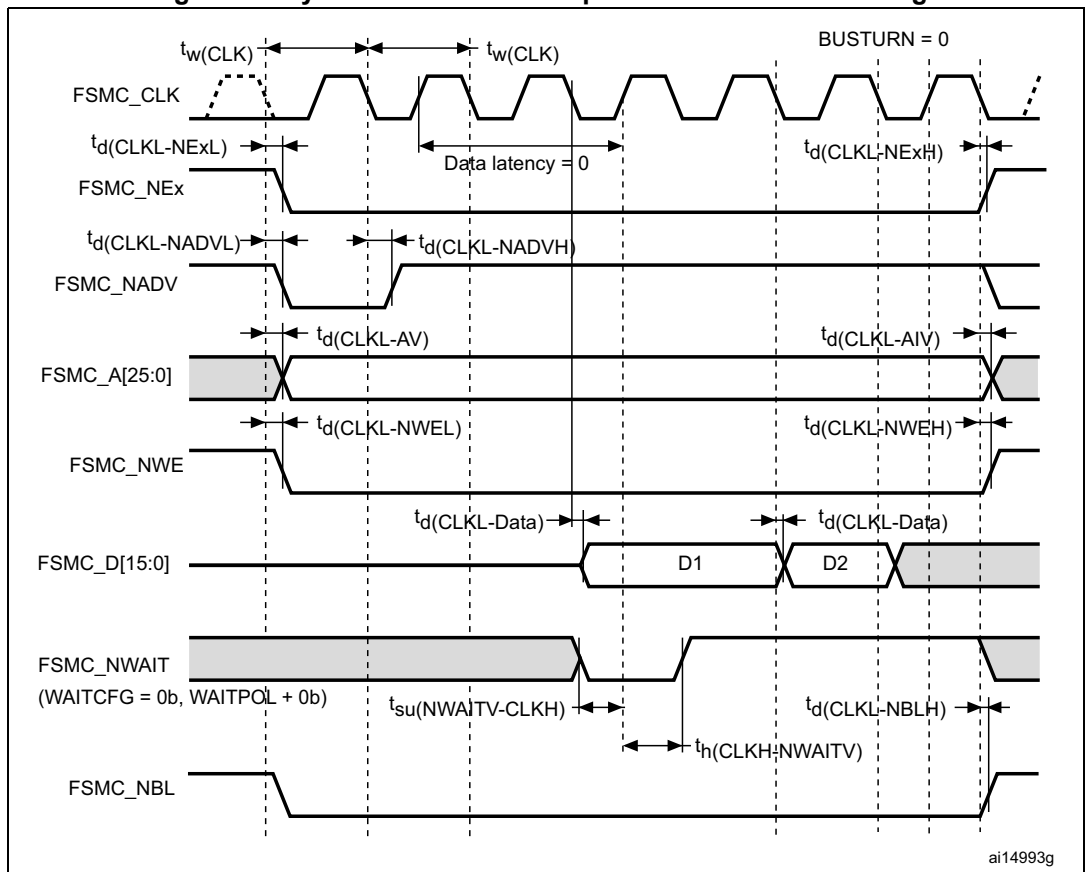


Table 82. Synchronous non-multiplexed PSRAM write timings<sup>(1)(2)</sup>

| Symbol                      | Parameter                                      | Min                | Max | Unit |
|-----------------------------|--|--------------------|-----|------|
| $t_{w(\text{CLK})}$         | FSMC_CLK period                                | $2T_{\text{HCLK}}$ | -   | ns   |
| $t_{d(\text{CLKL-NEXL})}$   | FSMC_CLK low to FSMC_NEx low ( $x=0..2$ )      | -                  | 1   | ns   |
| $t_{d(\text{CLKL-NEXH})}$   | FSMC_CLK low to FSMC_NEx high ( $x=0..2$ )     | 1                  | -   | ns   |
| $t_{d(\text{CLKL-NADV L})}$ | FSMC_CLK low to FSMC_NADV low                  | -                  | 7   | ns   |
| $t_{d(\text{CLKL-NADV H})}$ | FSMC_CLK low to FSMC_NADV high                 | 6                  | -   | ns   |
| $t_{d(\text{CLKL-AV})}$     | FSMC_CLK low to FSMC_Ax valid ( $x=16..25$ )   | -                  | 0   | ns   |
| $t_{d(\text{CLKL-AIV})}$    | FSMC_CLK low to FSMC_Ax invalid ( $x=16..25$ ) | 6                  | -   | ns   |
| $t_{d(\text{CLKL-NWEL})}$   | FSMC_CLK low to FSMC_NWE low                   | -                  | 1   | ns   |
| $t_{d(\text{CLKL-NWEH})}$   | FSMC_CLK low to FSMC_NWE high                  | 2                  | -   | ns   |
| $t_{d(\text{CLKL-Data})}$   | FSMC_D[15:0] valid data after FSMC_CLK low     | -                  | 3   | ns   |
| $t_{d(\text{CLKL-NBLH})}$   | FSMC_CLK low to FSMC_NBL high                  | 3                  | -   | ns   |
| $t_{su(\text{NWAIT-CLKH})}$ | FSMC_NWAIT valid before FSMC_CLK high          | 4                  | -   | ns   |
| $t_h(\text{CLKH-NWAIT})$    | FSMC_NWAIT valid after FSMC_CLK high           | 0                  | -   | ns   |

1.  $C_L = 30$  pF.
2. Based on characterization, not tested in production.

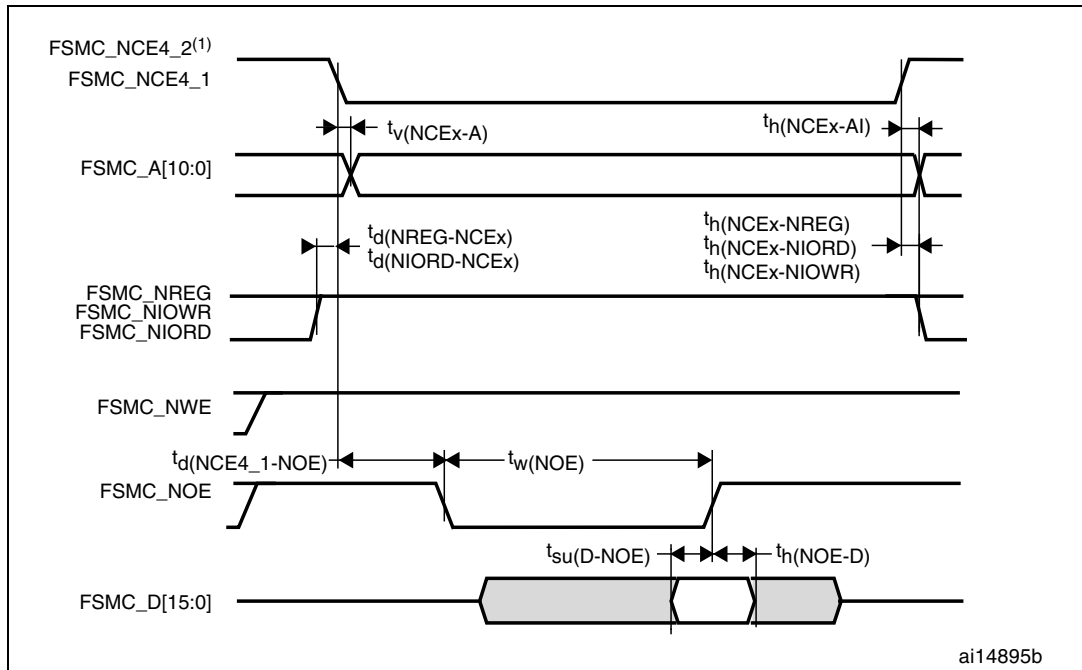
### PC Card/CompactFlash controller waveforms and timings

Figure 63 through Figure 68 represent synchronous waveforms, and Table 83 and Table 84 provide the corresponding timings. The results shown in this table are obtained with the following FSMC configuration:

- COM.FSMC\_SetupTime = 0x04;
- COM.FSMC\_WaitSetupTime = 0x07;
- COM.FSMC\_HoldSetupTime = 0x04;
- COM.FSMC\_HiZSetupTime = 0x00;
- ATT.FSMC\_SetupTime = 0x04;
- ATT.FSMC\_WaitSetupTime = 0x07;
- ATT.FSMC\_HoldSetupTime = 0x04;
- ATT.FSMC\_HiZSetupTime = 0x00;
- IO.FSMC\_SetupTime = 0x04;
- IO.FSMC\_WaitSetupTime = 0x07;
- IO.FSMC\_HoldSetupTime = 0x04;
- IO.FSMC\_HiZSetupTime = 0x00;
- TCLRSetupTime = 0;
- TARSetupTime = 0.

In all timing tables, the  $T_{\text{HCLK}}$  is the HCLK clock period.

Figure 63. PC Card/CompactFlash controller waveforms for common memory read access



1. FSMC\_NCE4\_2 remains high (inactive during 8-bit access).

Figure 64. PC Card/CompactFlash controller waveforms for common memory write access

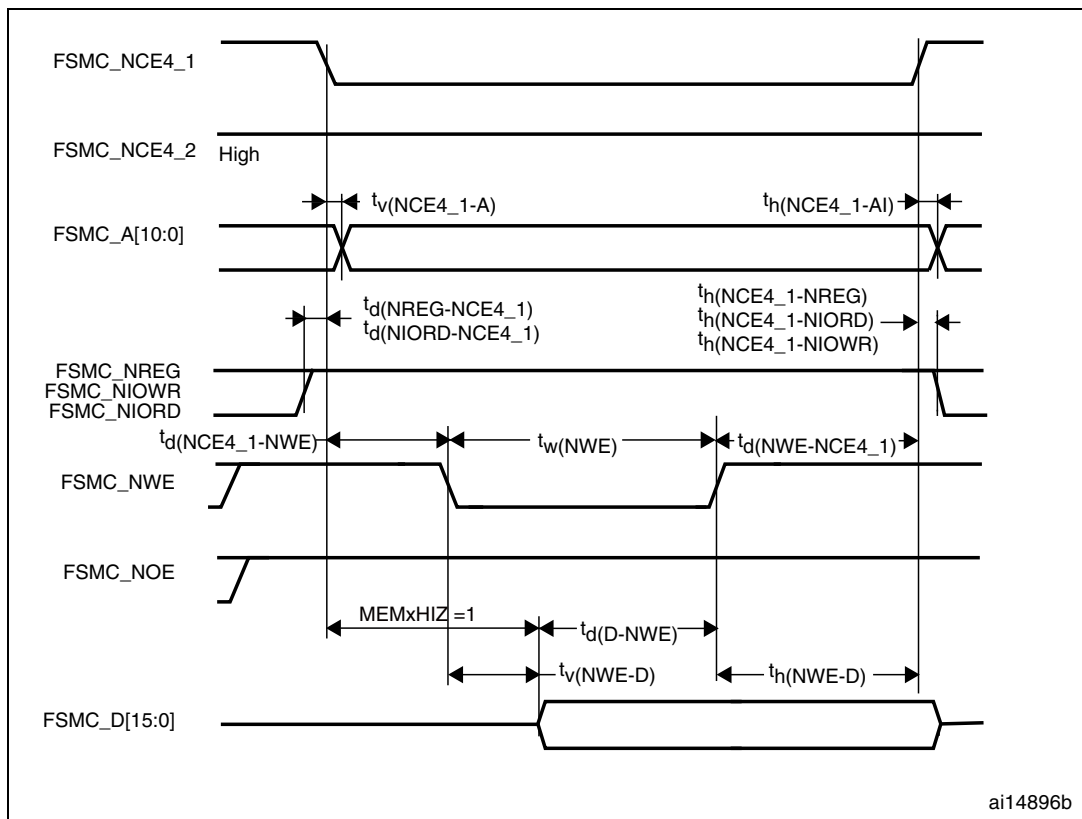
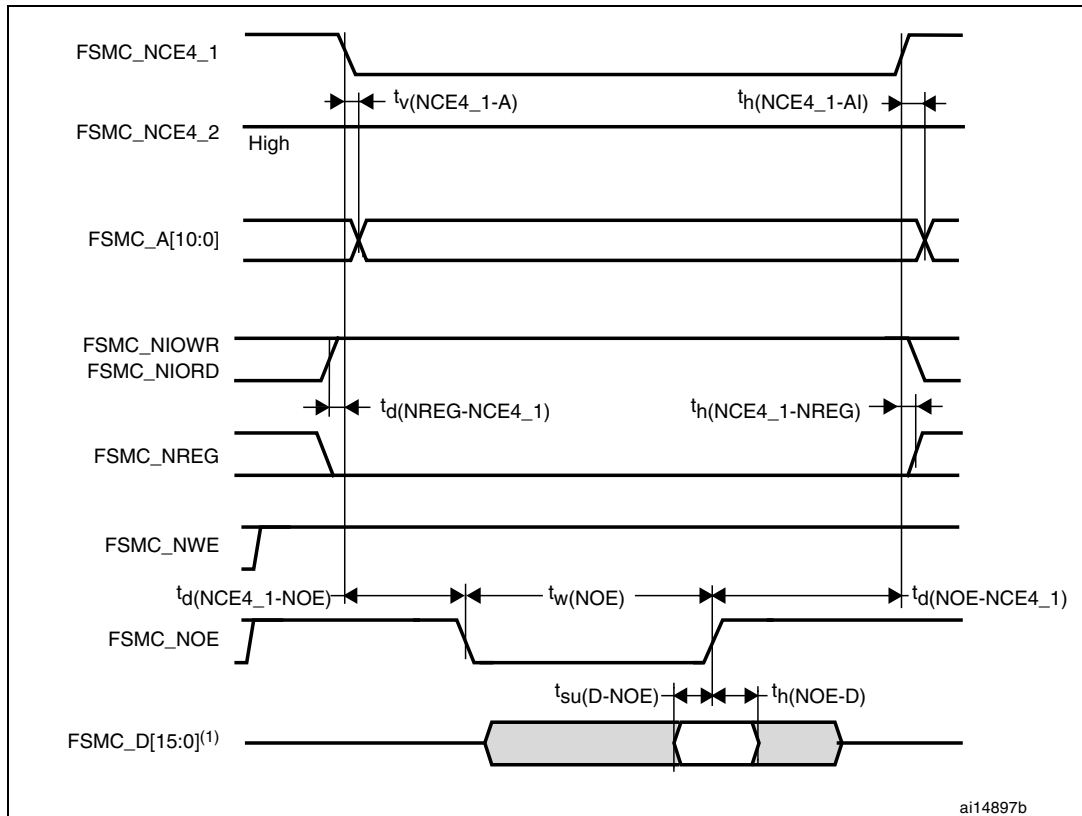
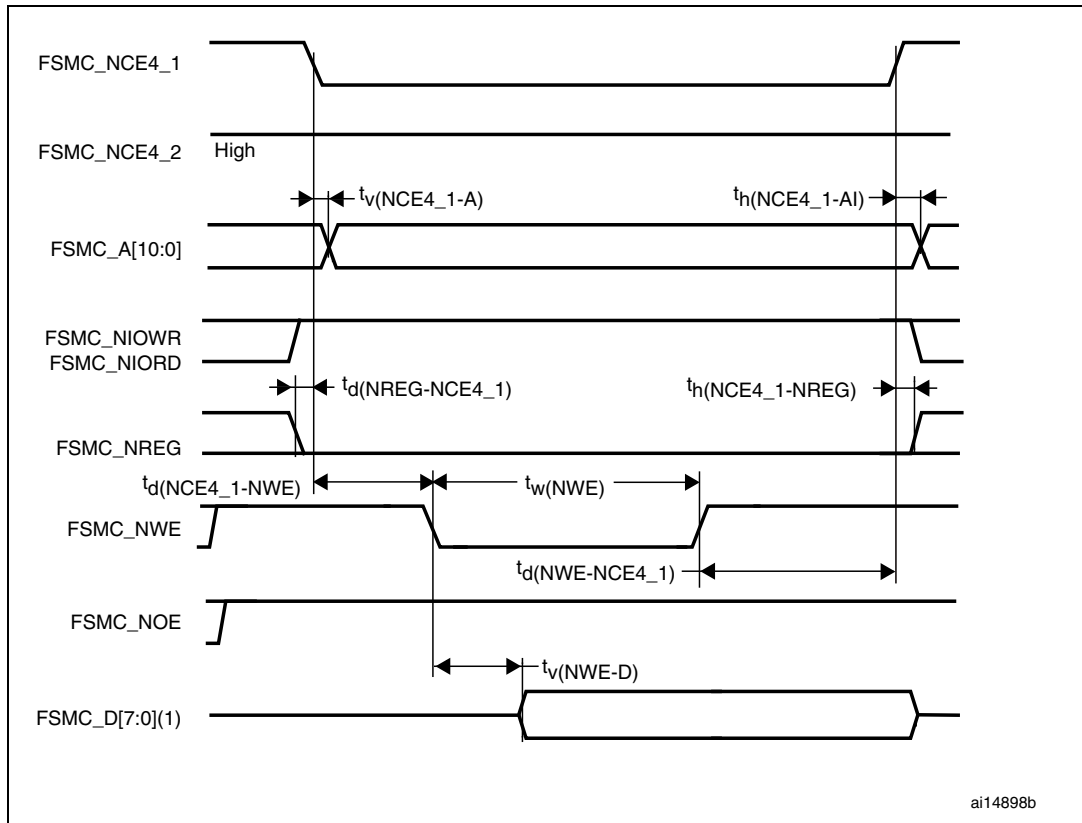


Figure 65. PC Card/CompactFlash controller waveforms for attribute memory read access



1. Only data bits 0...7 are read (bits 8...15 are disregarded).

**Figure 66. PC Card/CompactFlash controller waveforms for attribute memory write access**



1. Only data bits 0...7 are driven (bits 8...15 remains Hi-Z).

**Figure 67. PC Card/CompactFlash controller waveforms for I/O space read access**

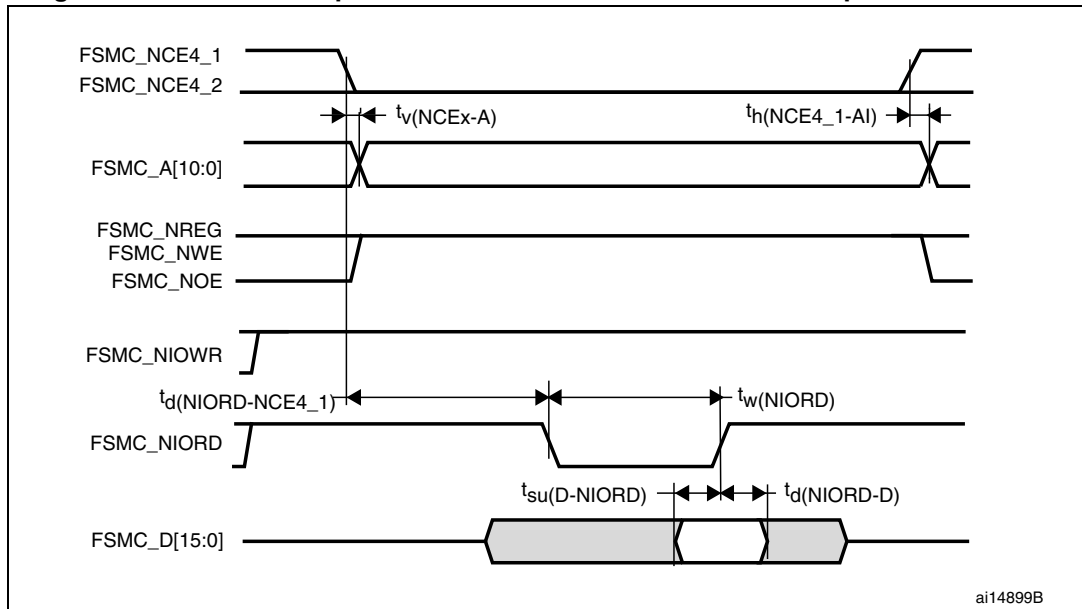


Figure 68. PC Card/CompactFlash controller waveforms for I/O space write access

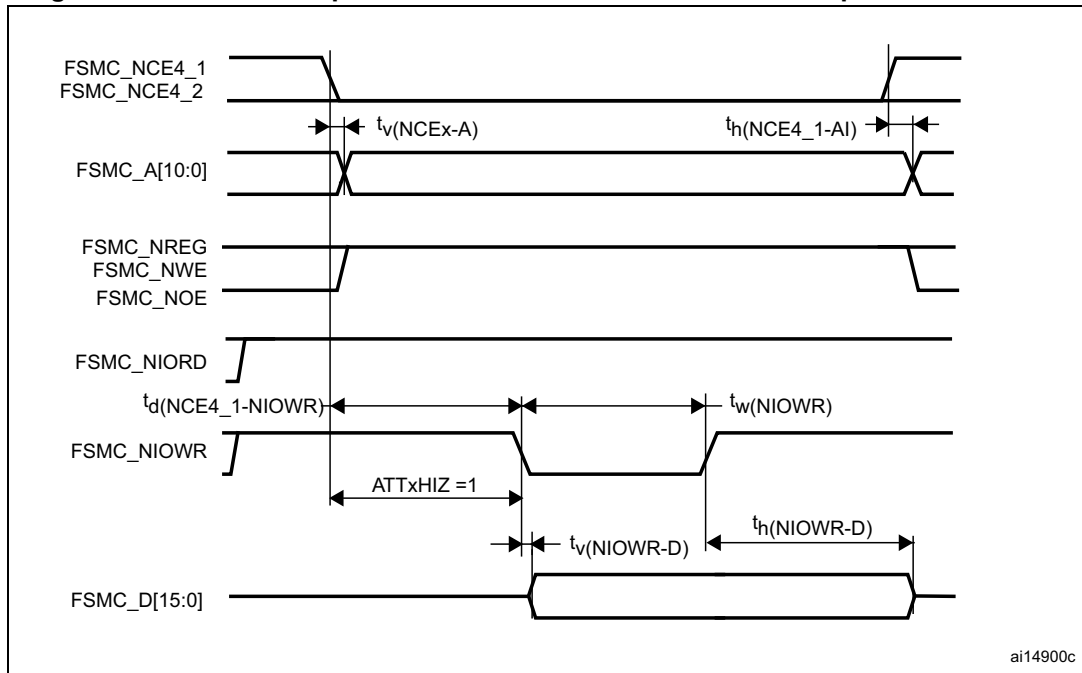


Table 83. Switching characteristics for PC Card/CF read and write cycles in attribute/common space<sup>(1)(2)</sup>

| Symbol             | Parameter                                    | Min             | Max             | Unit |
|--------------------|--|-----------------|-----------------|------|
| $t_{v(NCEx-A)}$    | FSMC_Ncex low to FSMC_Ay valid               | -               | 0               | ns   |
| $t_{h(NCEx-AI)}$   | FSMC_NCEx high to FSMC_Ax invalid            | 4               | -               | ns   |
| $t_{d(NREG-NCEx)}$ | FSMC_NCEx low to FSMC_NREG valid             | -               | 3.5             | ns   |
| $t_{h(NCEx-NREG)}$ | FSMC_NCEx high to FSMC_NREG invalid          | $T_{HCLK}+4$    | -               | ns   |
| $t_{d(NCEx-NWE)}$  | FSMC_NCEx low to FSMC_NWE low                | -               | $5T_{HCLK}+0.5$ | ns   |
| $t_{d(NCEx-NOE)}$  | FSMC_NCEx low to FSMC_NOE low                | -               | $5T_{HCLK}+0.5$ | ns   |
| $t_w(NOE)$         | FSMC_NOE low width                           | $8T_{HCLK}-1$   | $8T_{HCLK}+1$   | ns   |
| $t_{d(NOE-NCEx)}$  | FSMC_NOE high to FSMC_NCEx high              | $5T_{HCLK}+2.5$ | -               | ns   |
| $t_{su(D-NOE)}$    | FSMC_D[15:0] valid data before FSMC_NOE high | 4.5             | -               | ns   |
| $t_{h(NOE-D)}$     | FSMC_NOE high to FSMC_D[15:0] invalid        | 3               | -               | ns   |
| $t_w(NWE)$         | FSMC_NWE low width                           | $8T_{HCLK}-0.5$ | $8T_{HCLK}+3$   | ns   |
| $t_{d(NWE-NCEx)}$  | FSMC_NWE high to FSMC_NCEx high              | $5T_{HCLK}-1$   | -               | ns   |
| $t_{d(NCEx-NWE)}$  | FSMC_NCEx low to FSMC_NWE low                | -               | $5T_{HCLK}+1$   | ns   |
| $t_{v(NWE-D)}$     | FSMC_NWE low to FSMC_D[15:0] valid           | -               | 0               | ns   |
| $t_h(NWE-D)$       | FSMC_NWE high to FSMC_D[15:0] invalid        | $8T_{HCLK}-1$   | -               | ns   |
| $t_d(D-NWE)$       | FSMC_D[15:0] valid before FSMC_NWE high      | $13T_{HCLK}-1$  | -               | ns   |

1.  $C_L = 30$  pF.

2. Based on characterization, not tested in production.



**Table 84. Switching characteristics for PC Card/CF read and write cycles in I/O space<sup>(1)(2)</sup>**

| Symbol                 | Parameter                                 | Min               | Max               | Unit |
|------------------------|---|-------------------|-------------------|------|
| $t_{w(NIOWR)}$         | FSMC_NIOWR low width                      | $8T_{HCLK} - 1$   | -                 | ns   |
| $t_{v(NIOWR-D)}$       | FSMC_NIOWR low to FSMC_D[15:0] valid      | -                 | $5T_{HCLK} - 1$   | ns   |
| $t_{h(NIOWR-D)}$       | FSMC_NIOWR high to FSMC_D[15:0] invalid   | $8T_{HCLK} - 2$   | -                 | ns   |
| $t_{d(NCE4\_1-NIOWR)}$ | FSMC_NCE4_1 low to FSMC_NIOWR valid       | -                 | $5T_{HCLK} + 2.5$ | ns   |
| $t_{h(NCEX-NIOWR)}$    | FSMC_NCEX high to FSMC_NIOWR invalid      | $5T_{HCLK} - 1.5$ | -                 | ns   |
| $t_{d(NIORD-NCEX)}$    | FSMC_NCEX low to FSMC_NIORD valid         | -                 | $5T_{HCLK} + 2$   | ns   |
| $t_{h(NCEX-NIORD)}$    | FSMC_NCEX high to FSMC_NIORD) valid       | $5T_{HCLK} - 1.5$ | -                 | ns   |
| $t_{w(NIORD)}$         | FSMC_NIORD low width                      | $8T_{HCLK} - 0.5$ | -                 | ns   |
| $t_{su(D-NIORD)}$      | FSMC_D[15:0] valid before FSMC_NIORD high | 9                 | -                 | ns   |
| $t_{d(NIORD-D)}$       | FSMC_D[15:0] valid after FSMC_NIORD high  | 0                 | -                 | ns   |

1.  $C_L = 30$  pF.
2. Based on characterization, not tested in production.

### NAND controller waveforms and timings

[Figure 69](#) through [Figure 72](#) represent synchronous waveforms, and [Table 85](#) and [Table 86](#) provide the corresponding timings. The results shown in this table are obtained with the following FSMC configuration:

- COM.FSMC\_SetupTime = 0x01;
- COM.FSMC\_WaitSetupTime = 0x03;
- COM.FSMC\_HoldSetupTime = 0x02;
- COM.FSMC\_HiZSetupTime = 0x01;
- ATT.FSMC\_SetupTime = 0x01;
- ATT.FSMC\_WaitSetupTime = 0x03;
- ATT.FSMC\_HoldSetupTime = 0x02;
- ATT.FSMC\_HiZSetupTime = 0x01;
- Bank = FSMC\_Bank\_NAND;
- MemoryDataWidth = FSMC\_MemoryDataWidth\_16b;
- ECC = FSMC\_ECC\_Enable;
- ECCPageSize = FSMC\_ECCPageSize\_512Bytes;
- TCLRSetupTime = 0;
- TARSetupTime = 0.

In all timing tables, the  $T_{HCLK}$  is the HCLK clock period.

Figure 69. NAND controller waveforms for read access

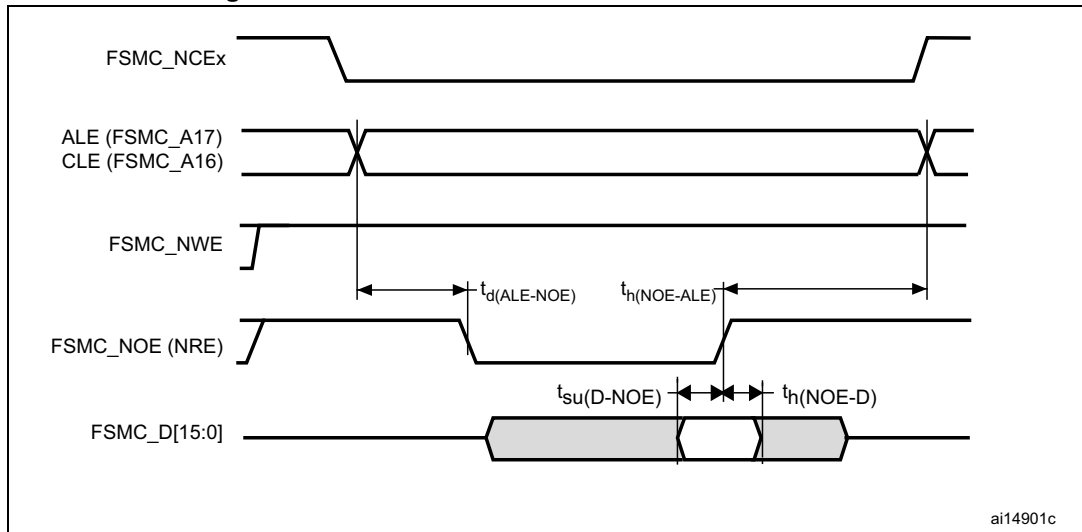


Figure 70. NAND controller waveforms for write access

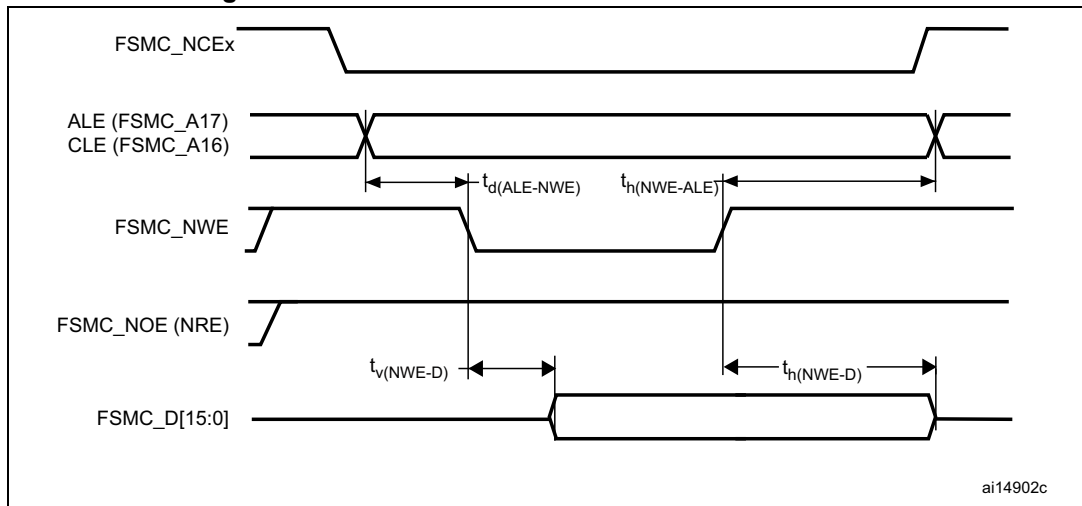


Figure 71. NAND controller waveforms for common memory read access

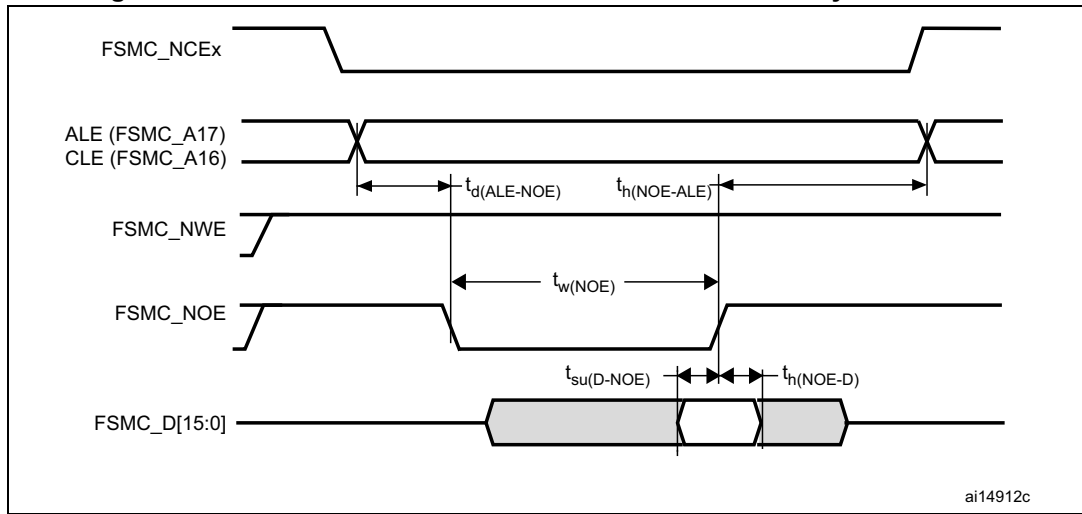


Figure 72. NAND controller waveforms for common memory write access

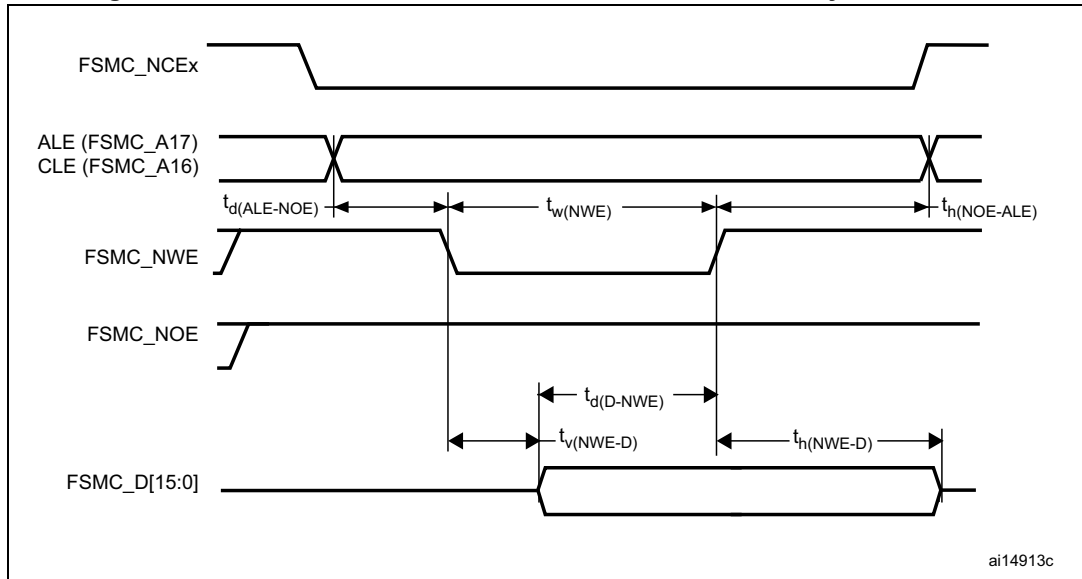


Table 85. Switching characteristics for NAND Flash read cycles<sup>(1)</sup>

| Symbol           | Parameter                                    | Min               | Max             | Unit |
|------------------|--|-------------------|-----------------|------|
| $t_{w(NOE)}$     | FSMC_NOE low width                           | $4T_{HCLK} - 0.5$ | $4T_{HCLK} + 3$ | ns   |
| $t_{su(D-NOE)}$  | FSMC_D[15-0] valid data before FSMC_NOE high | 10                | -               | ns   |
| $t_{h(NOE-D)}$   | FSMC_D[15-0] valid data after FSMC_NOE high  | 0                 | -               | ns   |
| $t_{d(ALE-NOE)}$ | FSMC_ALE valid before FSMC_NOE low           | -                 | $3T_{HCLK}$     | ns   |
| $t_{h(NOE-ALE)}$ | FSMC_NWE high to FSMC_ALE invalid            | $3T_{HCLK} - 2$   | -               | ns   |

1.  $C_L = 30$  pF.

**Table 86. Switching characteristics for NAND Flash write cycles<sup>(1)</sup>**

| Symbol           | Parameter                               | Min           | Max           | Unit |
|------------------|---|---------------|---------------|------|
| $t_{w(NWE)}$     | FSMC_NWE low width                      | $4T_{HCLK}-1$ | $4T_{HCLK}+3$ | ns   |
| $t_{v(NWE-D)}$   | FSMC_NWE low to FSMC_D[15-0] valid      | -             | 0             | ns   |
| $t_{h(NWE-D)}$   | FSMC_NWE high to FSMC_D[15-0] invalid   | $3T_{HCLK}-2$ | -             | ns   |
| $t_{d(D-NWE)}$   | FSMC_D[15-0] valid before FSMC_NWE high | $5T_{HCLK}-3$ | -             | ns   |
| $t_{d(ALE-NWE)}$ | FSMC_ALE valid before FSMC_NWE low      | -             | $3T_{HCLK}$   | ns   |
| $t_{h(NWE-ALE)}$ | FSMC_NWE high to FSMC_ALE invalid       | $3T_{HCLK}-2$ | -             | ns   |

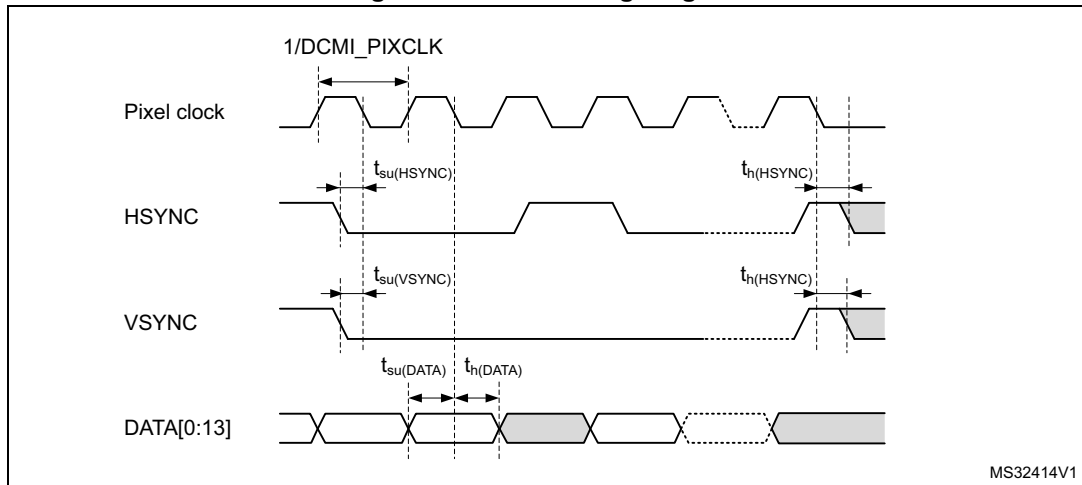
1.  $C_L = 30$  pF.

### 5.3.26 Camera interface (DCMI) timing specifications

Unless otherwise specified, the parameters given in [Table 87](#) for DCMI are derived from tests performed under the ambient temperature,  $f_{HCLK}$  frequency and  $V_{DD}$  supply voltage summarized in [Table 13](#), with the following configuration:

- PCK polarity: falling
- VSYNC and HSYNC polarity: high
- Data format: 14 bits

**Figure 73. DCMI timing diagram**



**Table 87. DCMI characteristics<sup>(1)</sup>**

| Symbol      | Parameter                               | Min | Max | Unit |
|-------------|---|-----|-----|------|
|             | Frequency ratio $DCMI\_PIXCLK/f_{HCLK}$ | -   | 0.4 |      |
| DCMI_PIXCLK | Pixel clock input                       | -   | 54  | MHz  |
| $D_{pixel}$ | Pixel clock input duty cycle            | 30  | 70  | %    |

Table 87. DCMI characteristics<sup>(1)</sup> (continued)

| Symbol                               | Parameter                    | Min | Max | Unit |
|--------------------------------------|------------------------------|-----|-----|------|
| $t_{su(DATA)}$                       | Data input setup time        | 2.5 | -   | ns   |
| $t_{h(DATA)}$                        | Data hold time               | 1   | -   |      |
| $t_{su(HSYNC)}$ ,<br>$t_{su(VSYNC)}$ | HSYNC/VSYNC input setup time | 2   | -   |      |
| $t_{h(HSYNC)}$ ,<br>$t_{h(VSYNC)}$   | HSYNC/VSYNC input hold time  | 0.5 | -   |      |

1. Data based on characterization results, not tested in production.

### 5.3.27 SD/SDIO MMC card host interface (SDIO) characteristics

Unless otherwise specified, the parameters given in [Table 88](#) are derived from tests performed under ambient temperature,  $f_{PCLKX}$  frequency and  $V_{DD}$  supply voltage conditions summarized in [Table 14](#) with the following configuration:

- Output speed is set to  $OSPEEDRy[1:0] = 10$
- Capacitive load  $C = 30$  pF
- Measurement points are done at CMOS levels:  $0.5V_{DD}$

Refer to [Section 5.3.16: I/O port characteristics](#) for more details on the input/output characteristics.

Figure 74. SDIO high-speed mode

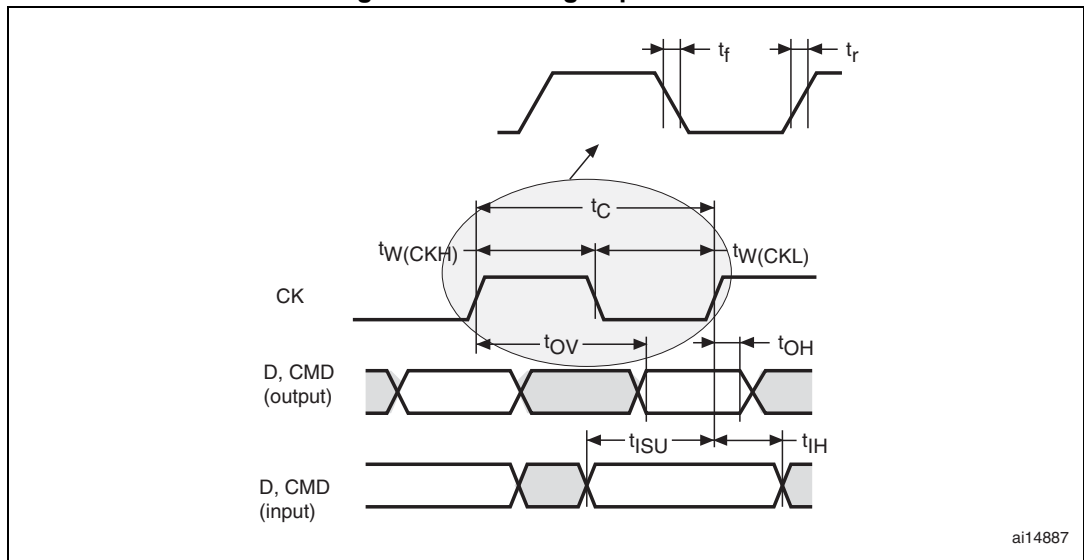
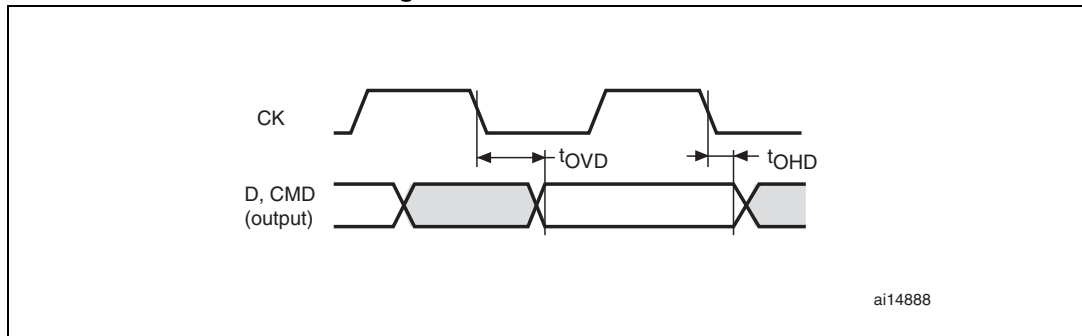


Figure 75. SD default mode



ai14888

Table 88. Dynamic characteristics: SD / MMC characteristics<sup>(1)</sup>

| Symbol  | Parameter                                  | Conditions               | Min | Typ | Max | Unit |
|---|--|--------------------------|-----|-----|-----|------|
| f <sub>PP</sub>   | Clock frequency in data transfer mode      |                          | 0   |     | 48  | MHz  |
|   | SDIO_CK/f <sub>PCLK2</sub> frequency ratio |                          | -   | -   | 8/3 | -    |
| t <sub>W(CKL)</sub>                                     | Clock low time                             | f <sub>pp</sub> = 48 MHz | 8.5 | 9   | -   | ns   |
| t <sub>W(CKH)</sub>                                     | Clock high time                            | f <sub>pp</sub> = 48 MHz | 8.3 | 10  | -   |      |
| CMD, D inputs (referenced to CK) in MMC and SD HS mode  |  |                          |     |     |     |      |
| t <sub>ISU</sub>  | Input setup time HS                        | f <sub>pp</sub> = 48 MHz | 3   | -   | -   | ns   |
| t <sub>IH</sub>   | Input hold time HS                         | f <sub>pp</sub> = 48 MHz | 0   | -   | -   |      |
| CMD, D outputs (referenced to CK) in MMC and SD HS mode |  |                          |     |     |     |      |
| t <sub>OV</sub>   | Output valid time HS                       | f <sub>pp</sub> = 48 MHz | -   | 4.5 | 6   | ns   |
| t <sub>OH</sub>   | Output hold time HS                        | f <sub>pp</sub> = 48 MHz | 1   | -   | -   |      |
| CMD, D inputs (referenced to CK) in SD default mode     |  |                          |     |     |     |      |
| t <sub>ISUD</sub>                                       | Input setup time SD                        | f <sub>pp</sub> = 24 MHz | 1.5 | -   | -   | ns   |
| t <sub>IHD</sub>  | Input hold time SD                         | f <sub>pp</sub> = 24 MHz | 0.5 | -   | -   |      |
| CMD, D outputs (referenced to CK) in SD default mode    |  |                          |     |     |     |      |
| t <sub>OVD</sub>  | Output valid default time SD               | f <sub>pp</sub> = 24 MHz | -   | 4.5 | 7   | ns   |
| t <sub>OHD</sub>  | Output hold default time SD                | f <sub>pp</sub> = 24 MHz | 0.5 | -   | -   |      |

1. Data based on characterization results, not tested in production.

### 5.3.28 RTC characteristics

Table 89. RTC characteristics

| Symbol | Parameter                                  | Conditions                                       | Min | Max |
|--------|--|--|-----|-----|
| -      | f <sub>PCLK1</sub> /RTCCLK frequency ratio | Any read/write operation from/to an RTC register | 4   | -   |

## 6 Package characteristics

### 6.1 Package mechanical data

In order to meet environmental requirements, ST offers these devices in different grades of ECOPACK<sup>®</sup> packages, depending on their level of environmental compliance. ECOPACK<sup>®</sup> specifications, grade definitions and product status are available at: [www.st.com](http://www.st.com). ECOPACK<sup>®</sup> is an ST trademark.

Figure 76. WLCSP90 - 0.400 mm pitch wafer level chip size package outline

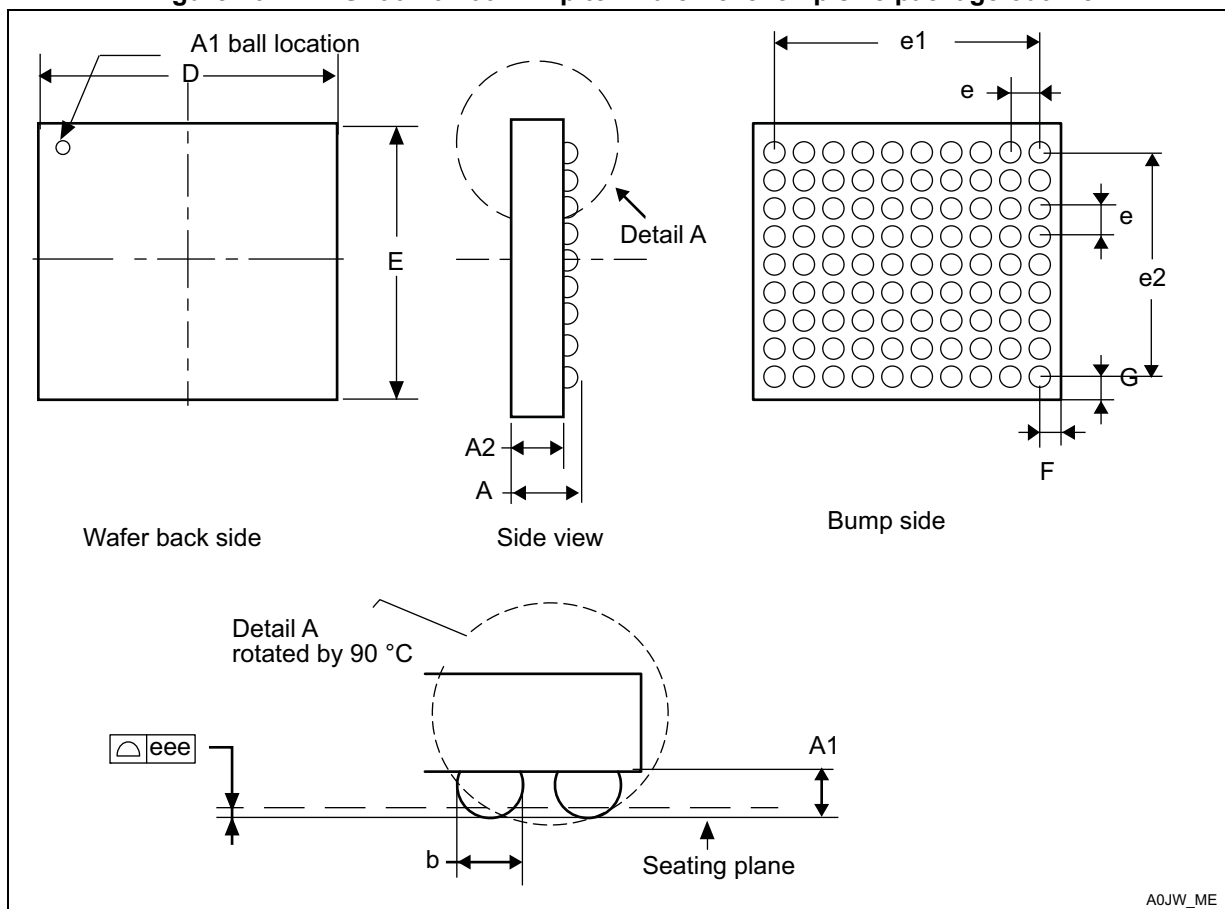


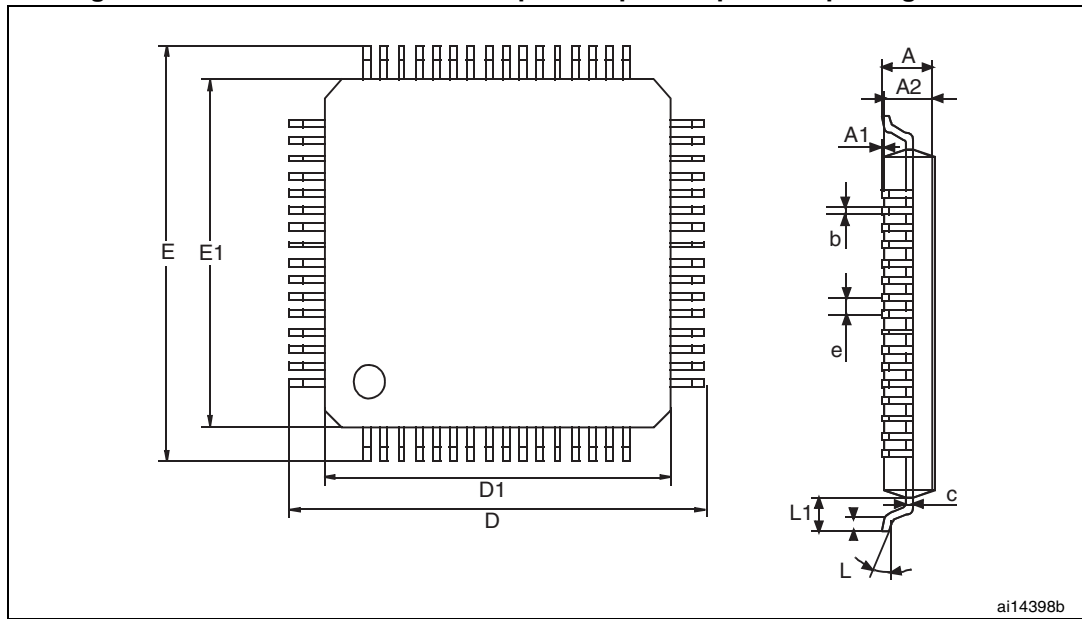
Table 90. WLCSP90 - 0.400 mm pitch wafer level chip size package mechanical data

| Symbol | millimeters |       |       | inches <sup>(1)</sup> |        |        |
|--------|-------------|-------|-------|-----------------------|--------|--------|
|        | Min         | Typ   | Max   | Min                   | Typ    | Max    |
| A      | 0.520       | 0.570 | 0.620 | 0.0205                | 0.0224 | 0.0244 |
| A1     | 0.165       | 0.190 | 0.215 | 0.0065                | 0.0075 | 0.0085 |
| A2     | 0.350       | 0.380 | 0.410 | 0.0138                | 0.015  | 0.0161 |
| b      | 0.240       | 0.270 | 0.300 | 0.0094                | 0.0106 | 0.0118 |
| D      | 4.178       | 4.218 | 4.258 | 0.1645                | 0.1661 | 0.1676 |
| E      | 3.964       | 3.969 | 4.004 | 0.1561                | 0.1563 | 0.1576 |
| e      |             | 0.400 |       |                       | 0.0157 |        |
| e1     |             | 3.600 |       |                       | 0.1417 |        |
| e2     |             | 3.200 |       |                       | 0.126  |        |
| F      |             | 0.312 |       |                       | 0.0123 |        |
| G      |             | 0.385 |       |                       | 0.0152 |        |
| eee    |             |       | 0.050 |                       |        | 0.0020 |

1. Values in inches are converted from mm and rounded to 4 decimal digits.



Figure 77. LQFP64 – 10 x 10 mm 64 pin low-profile quad flat package outline



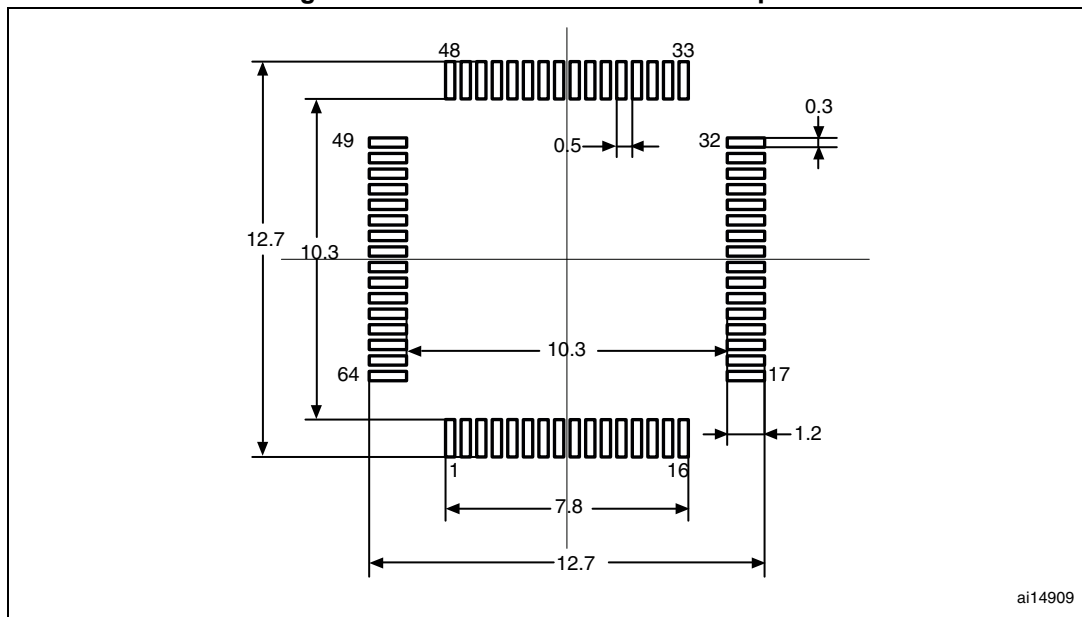
1. Drawing is not to scale.

Table 91. LQFP64 – 10 x 10 mm 64 pin low-profile quad flat package mechanical data

| Symbol | millimeters           |        |       | inches <sup>(1)</sup> |        |        |
|--------|-----------------------|--------|-------|-----------------------|--------|--------|
|        | Min                   | Typ    | Max   | Min                   | Typ    | Max    |
| A      |                       |        | 1.600 |                       |        | 0.0630 |
| A1     | 0.050                 |        | 0.150 | 0.0020                |        | 0.0059 |
| A2     | 1.350                 | 1.400  | 1.450 | 0.0531                | 0.0551 | 0.0571 |
| b      | 0.170                 | 0.220  | 0.270 | 0.0067                | 0.0087 | 0.0106 |
| c      | 0.090                 |        | 0.200 | 0.0035                |        | 0.0079 |
| D      |                       | 12.000 |       |                       | 0.4724 |        |
| D1     |                       | 10.000 |       |                       | 0.3937 |        |
| E      |                       | 12.000 |       |                       | 0.4724 |        |
| E1     |                       | 10.000 |       |                       | 0.3937 |        |
| e      |                       | 0.500  |       |                       | 0.0197 |        |
| θ      | 0°                    | 3.5°   | 7°    | 0°                    | 3.5°   | 7°     |
| L      | 0.450                 | 0.600  | 0.750 | 0.0177                | 0.0236 | 0.0295 |
| L1     |                       | 1.000  |       |                       | 0.0394 |        |
| N      | <b>Number of pins</b> |        |       |                       |        |        |
|        | 64                    |        |       |                       |        |        |

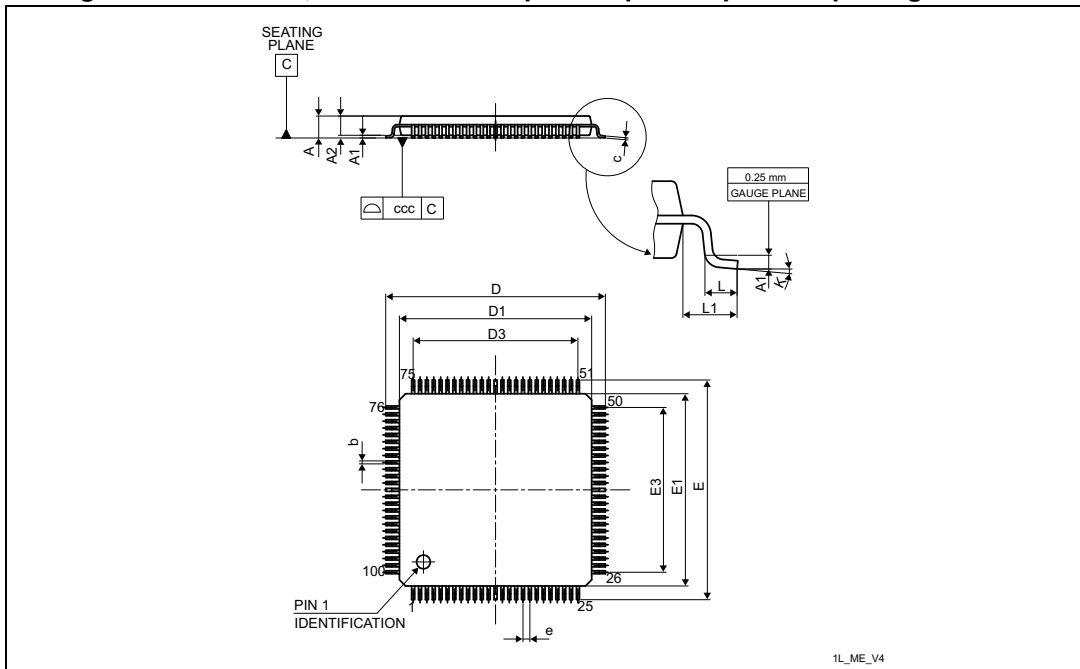
1. Values in inches are converted from mm and rounded to 4 decimal digits.

Figure 78. LQFP64 recommended footprint



1. Drawing is not to scale.
2. Dimensions are in millimeters.

Figure 79. LQFP100, 14 x 14 mm 100-pin low-profile quad flat package outline



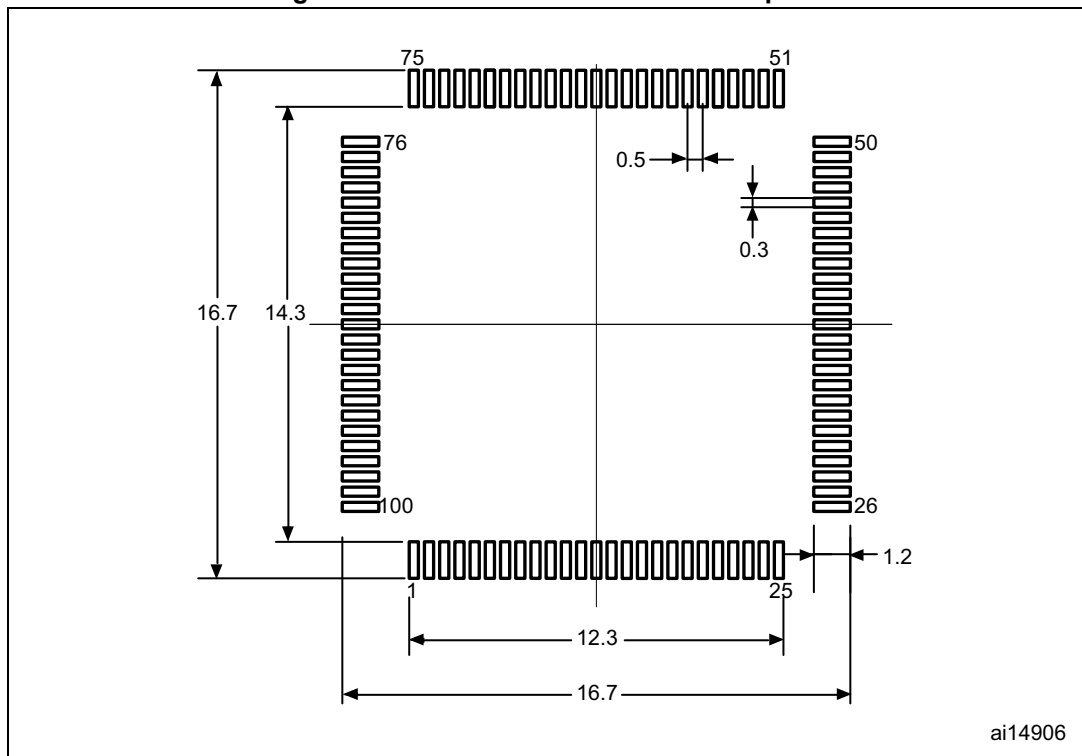
1. Drawing is not to scale.

Table 92. LQFP100 – 14 x 14 mm 100-pin low-profile quad flat package mechanical data<sup>(1)</sup>

| Symbol | millimeters |        |        | inches |        |        |
|--------|-------------|--------|--------|--------|--------|--------|
|        | Min         | Typ    | Max    | Min    | Typ    | Max    |
| A      |             |        | 1.600  |        |        | 0.0630 |
| A1     | 0.050       |        | 0.150  | 0.0020 |        | 0.0059 |
| A2     | 1.350       | 1.400  | 1.450  | 0.0531 | 0.0551 | 0.0571 |
| b      | 0.170       | 0.220  | 0.270  | 0.0067 | 0.0087 | 0.0106 |
| c      | 0.090       |        | 0.200  | 0.0035 |        | 0.0079 |
| D      | 15.800      | 16.000 | 16.200 | 0.6220 | 0.6299 | 0.6378 |
| D1     | 13.800      | 14.000 | 14.200 | 0.5433 | 0.5512 | 0.5591 |
| D3     |             | 12.000 |        |        | 0.4724 |        |
| E      | 15.80v      | 16.000 | 16.200 | 0.6220 | 0.6299 | 0.6378 |
| E1     | 13.800      | 14.000 | 14.200 | 0.5433 | 0.5512 | 0.5591 |
| E3     |             | 12.000 |        |        | 0.4724 |        |
| e      |             | 0.500  |        |        | 0.0197 |        |
| L      | 0.450       | 0.600  | 0.750  | 0.0177 | 0.0236 | 0.0295 |
| L1     |             | 1.000  |        |        | 0.0394 |        |
| k      | 0°          | 3.5°   | 7°     | 0°     | 3.5°   | 7°     |
| ccc    |             |        | 0.080  |        |        | 0.0031 |

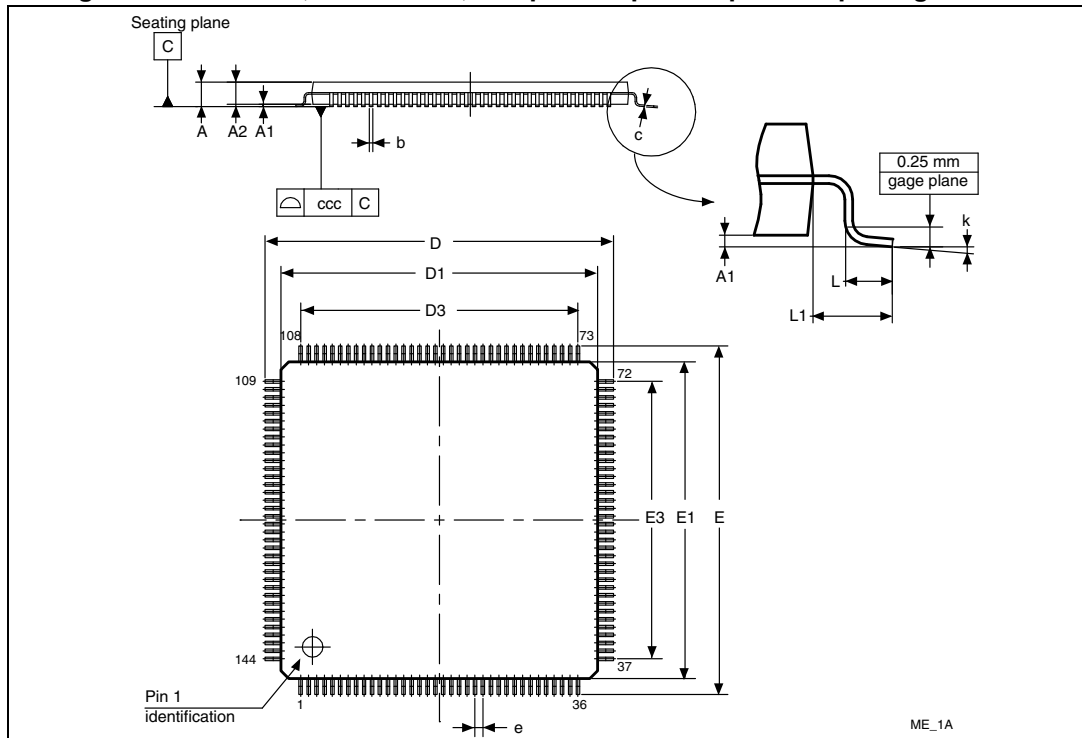
1. Values in inches are converted from mm and rounded to 4 decimal digits.

Figure 80. LQFP100 recommended footprint



1. Drawing is not to scale.
2. Dimensions are in millimeters.

Figure 81. LQFP144, 20 x 20 mm, 144-pin low-profile quad flat package outline



1. Drawing is not to scale.

Table 93. LQFP144, 20 x 20 mm, 144-pin low-profile quad flat package mechanical data

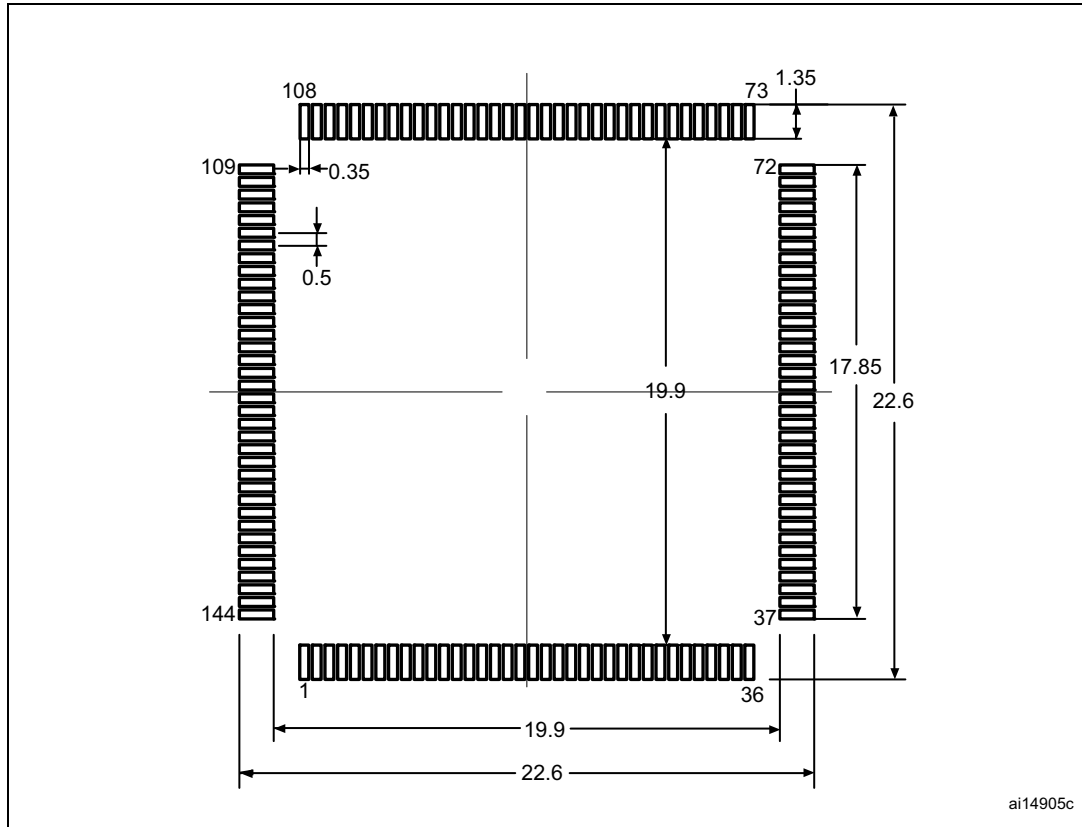
| Symbol | millimeters |        |        | inches <sup>(1)</sup> |        |        |
|--------|-------------|--------|--------|-----------------------|--------|--------|
|        | Min         | Typ    | Max    | Min                   | Typ    | Max    |
| A      |             |        | 1.600  |                       |        | 0.0630 |
| A1     | 0.050       |        | 0.150  | 0.0020                |        | 0.0059 |
| A2     | 1.350       | 1.400  | 1.450  | 0.0531                | 0.0551 | 0.0571 |
| b      | 0.170       | 0.220  | 0.270  | 0.0067                | 0.0087 | 0.0106 |
| c      | 0.090       |        | 0.200  | 0.0035                |        | 0.0079 |
| D      | 21.800      | 22.000 | 22.200 | 0.8583                | 0.8661 | 0.874  |
| D1     | 19.800      | 20.000 | 20.200 | 0.7795                | 0.7874 | 0.7953 |
| D3     |             | 17.500 |        |                       | 0.689  |        |
| E      | 21.800      | 22.000 | 22.200 | 0.8583                | 0.8661 | 0.8740 |
| E1     | 19.800      | 20.000 | 20.200 | 0.7795                | 0.7874 | 0.7953 |
| E3     |             | 17.500 |        |                       | 0.6890 |        |
| e      |             | 0.500  |        |                       | 0.0197 |        |
| L      | 0.450       | 0.600  | 0.750  | 0.0177                | 0.0236 | 0.0295 |
| L1     |             | 1.000  |        |                       | 0.0394 |        |

Table 93. LQFP144, 20 x 20 mm, 144-pin low-profile quad flat package mechanical data

| Symbol | millimeters |      |       | inches <sup>(1)</sup> |      |        |
|--------|-------------|------|-------|-----------------------|------|--------|
|        | Min         | Typ  | Max   | Min                   | Typ  | Max    |
| k      | 0°          | 3.5° | 7°    | 0°                    | 3.5° | 7°     |
| ccc    |             |      | 0.080 |                       |      | 0.0031 |

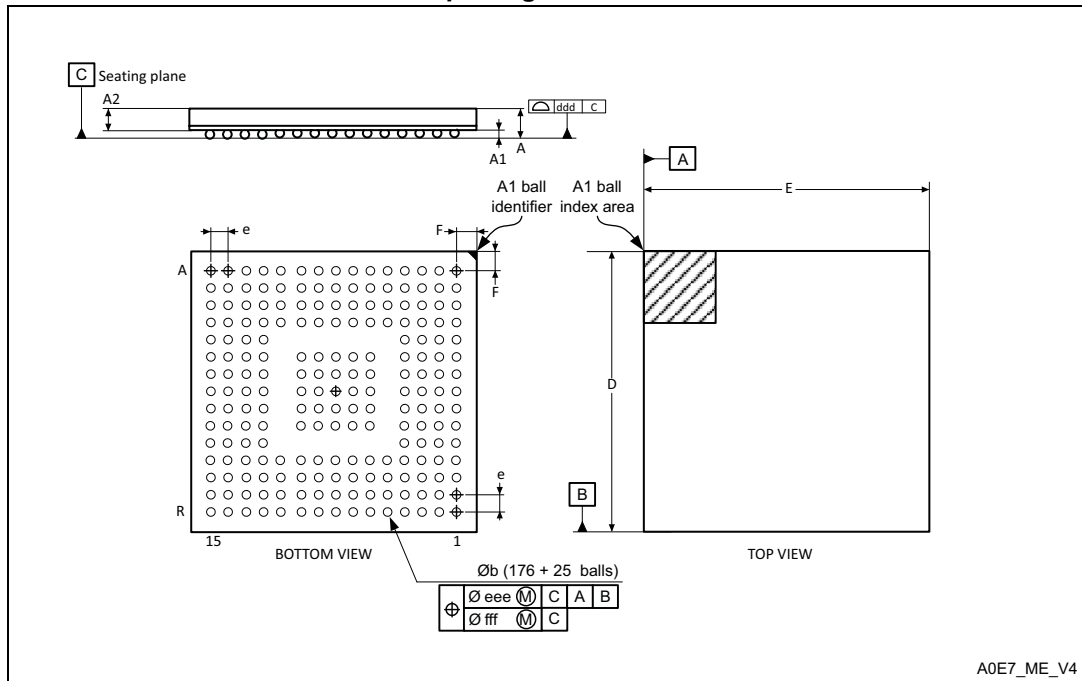
1. Values in inches are converted from mm and rounded to 4 decimal digits.

Figure 82. LQFP144 recommended footprint



1. Drawing is not to scale.
2. Dimensions are in millimeters.

Figure 83. UFBGA176+25 - ultra thin fine pitch ball grid array 10 × 10 × 0.6 mm, package outline



A0E7\_ME\_V4

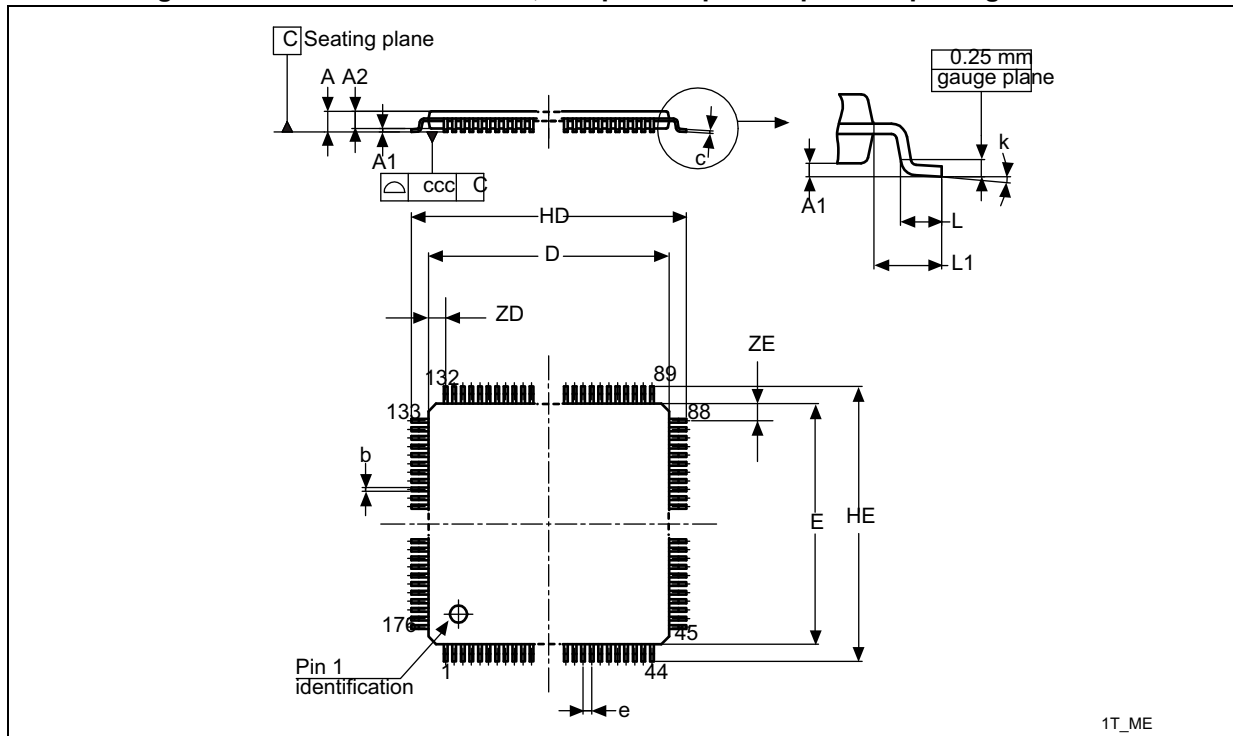
1. Drawing is not to scale.

Table 94. UFBGA176+25 - ultra thin fine pitch ball grid array 10 × 10 × 0.6 mm mechanical data

| Symbol | millimeters |        |        | inches <sup>(1)</sup> |        |        |
|--------|-------------|--------|--------|-----------------------|--------|--------|
|        | Min         | Typ    | Max    | Min                   | Typ    | Max    |
| A      | 0.460       | 0.530  | 0.600  | 0.0181                | 0.0209 | 0.0236 |
| A1     | 0.050       | 0.080  | 0.110  | 0.002                 | 0.0031 | 0.0043 |
| A2     | 0.400       | 0.450  | 0.500  | 0.0157                | 0.0177 | 0.0197 |
| b      | 0.230       | 0.280  | 0.330  | 0.0091                | 0.0110 | 0.0130 |
| D      | 9.900       | 10.000 | 10.100 | 0.3898                | 0.3937 | 0.3976 |
| E      | 9.900       | 10.000 | 10.100 | 0.3898                | 0.3937 | 0.3976 |
| e      |             | 0.650  |        |                       | 0.0256 |        |
| F      | 0.425       | 0.450  | 0.475  | 0.0167                | 0.0177 | 0.0187 |
| ddd    |             |        | 0.080  |                       |        | 0.0031 |
| eee    |             |        | 0.150  |                       |        | 0.0059 |
| fff    |             |        | 0.080  |                       |        | 0.0031 |

1. Values in inches are converted from mm and rounded to 4 decimal digits.

Figure 84. LQFP176 24 x 24 mm, 176-pin low-profile quad flat package outline



1. Drawing is not to scale.

Table 95. LQFP176, 24 x 24 mm, 176-pin low-profile quad flat package mechanical data

| Symbol | millimeters |       |        | inches <sup>(1)</sup> |        |        |
|--------|-------------|-------|--------|-----------------------|--------|--------|
|        | Min         | Typ   | Max    | Min                   | Typ    | Max    |
| A      |             |       | 1.600  |                       |        | 0.0630 |
| A1     | 0.050       |       | 0.150  | 0.0020                |        |        |
| A2     | 1.350       |       | 1.450  | 0.0531                |        | 0.0060 |
| b      | 0.170       |       | 0.270  | 0.0067                |        | 0.0106 |
| C      | 0.090       |       | 0.200  | 0.0035                |        | 0.0079 |
| D      | 23.900      |       | 24.100 | 0.9409                |        | 0.9488 |
| E      | 23.900      |       | 24.100 | 0.9409                |        | 0.9488 |
| e      |             | 0.500 |        |                       | 0.0197 |        |
| HD     | 25.900      |       | 26.100 | 1.0200                |        | 1.0276 |
| HE     | 25.900      |       | 26.100 | 1.0200                |        | 1.0276 |
| L      | 0.450       |       | 0.750  | 0.0177                |        | 0.0295 |
| L1     |             | 1.000 |        |                       | 0.0394 |        |
| ZD     |             | 1.250 |        |                       | 0.0492 |        |
| ZE     |             | 1.250 |        |                       | 0.0492 |        |

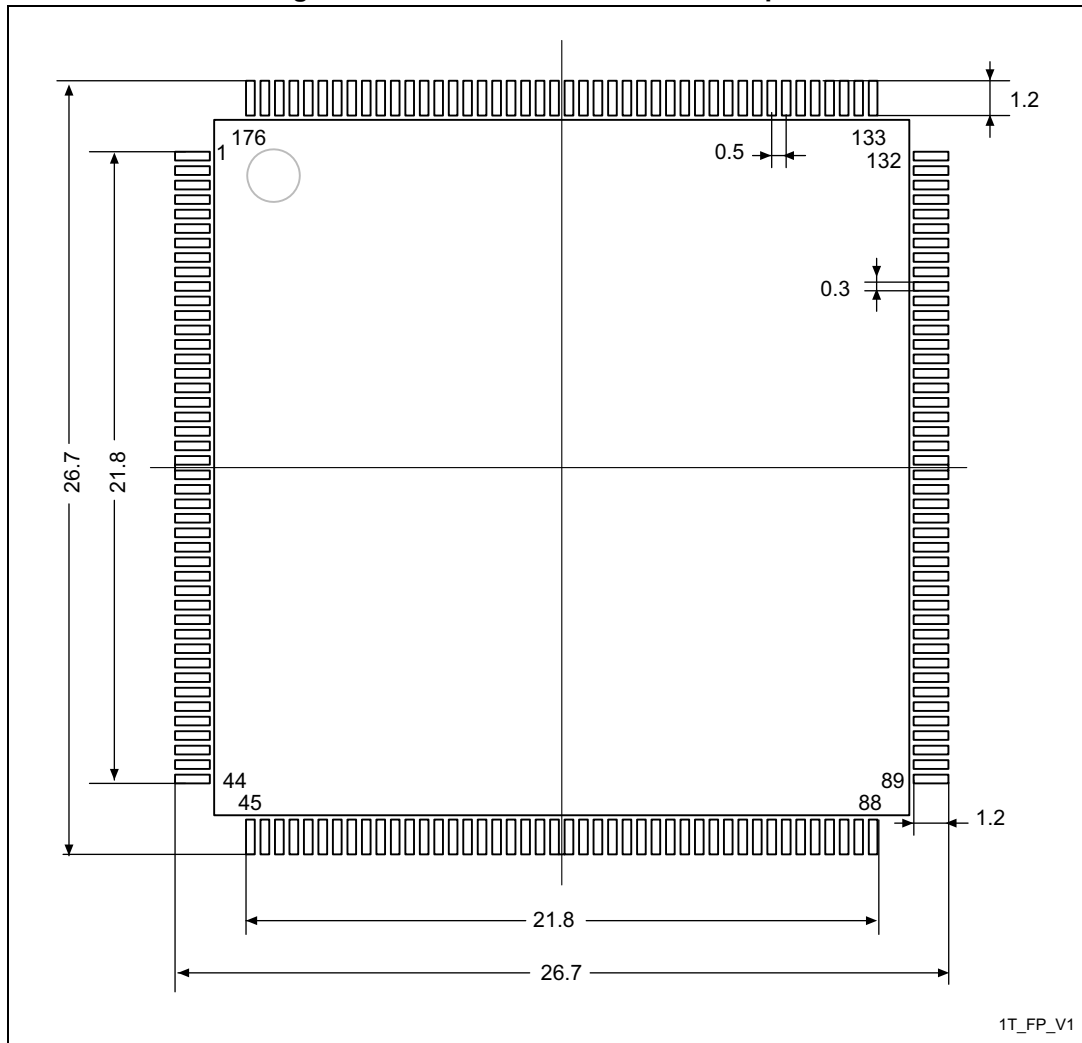


Table 95. LQFP176, 24 x 24 mm, 176-pin low-profile quad flat package mechanical data

| Symbol | millimeters |     |       | inches <sup>(1)</sup> |     |        |
|--------|-------------|-----|-------|-----------------------|-----|--------|
|        | Min         | Typ | Max   | Min                   | Typ | Max    |
| ccc    |             |     | 0.080 |                       |     | 0.0031 |
| k      | 0°          |     | 7°    | 0°                    |     | 7°     |

1. Values in inches are converted from mm and rounded to 4 decimal digits.

Figure 85. LQFP176 recommended footprint



1. Dimensions are expressed in millimeters.

## 6.2 Thermal characteristics

The maximum chip-junction temperature,  $T_J \text{ max}$ , in degrees Celsius, may be calculated using the following equation:

$$T_J \text{ max} = T_A \text{ max} + (P_D \text{ max} \times \Theta_{JA})$$

Where:

- $T_A \text{ max}$  is the maximum ambient temperature in °C,
- $\Theta_{JA}$  is the package junction-to-ambient thermal resistance, in °C/W,
- $P_D \text{ max}$  is the sum of  $P_{INT} \text{ max}$  and  $P_{I/O} \text{ max}$  ( $P_D \text{ max} = P_{INT} \text{ max} + P_{I/O} \text{ max}$ ),
- $P_{INT} \text{ max}$  is the product of  $I_{DD}$  and  $V_{DD}$ , expressed in Watts. This is the maximum chip internal power.

$P_{I/O} \text{ max}$  represents the maximum power dissipation on output pins where:

$$P_{I/O} \text{ max} = \Sigma (V_{OL} \times I_{OL}) + \Sigma ((V_{DD} - V_{OH}) \times I_{OH}),$$

taking into account the actual  $V_{OL} / I_{OL}$  and  $V_{OH} / I_{OH}$  of the I/Os at low and high level in the application.

**Table 96. Package thermal characteristics**

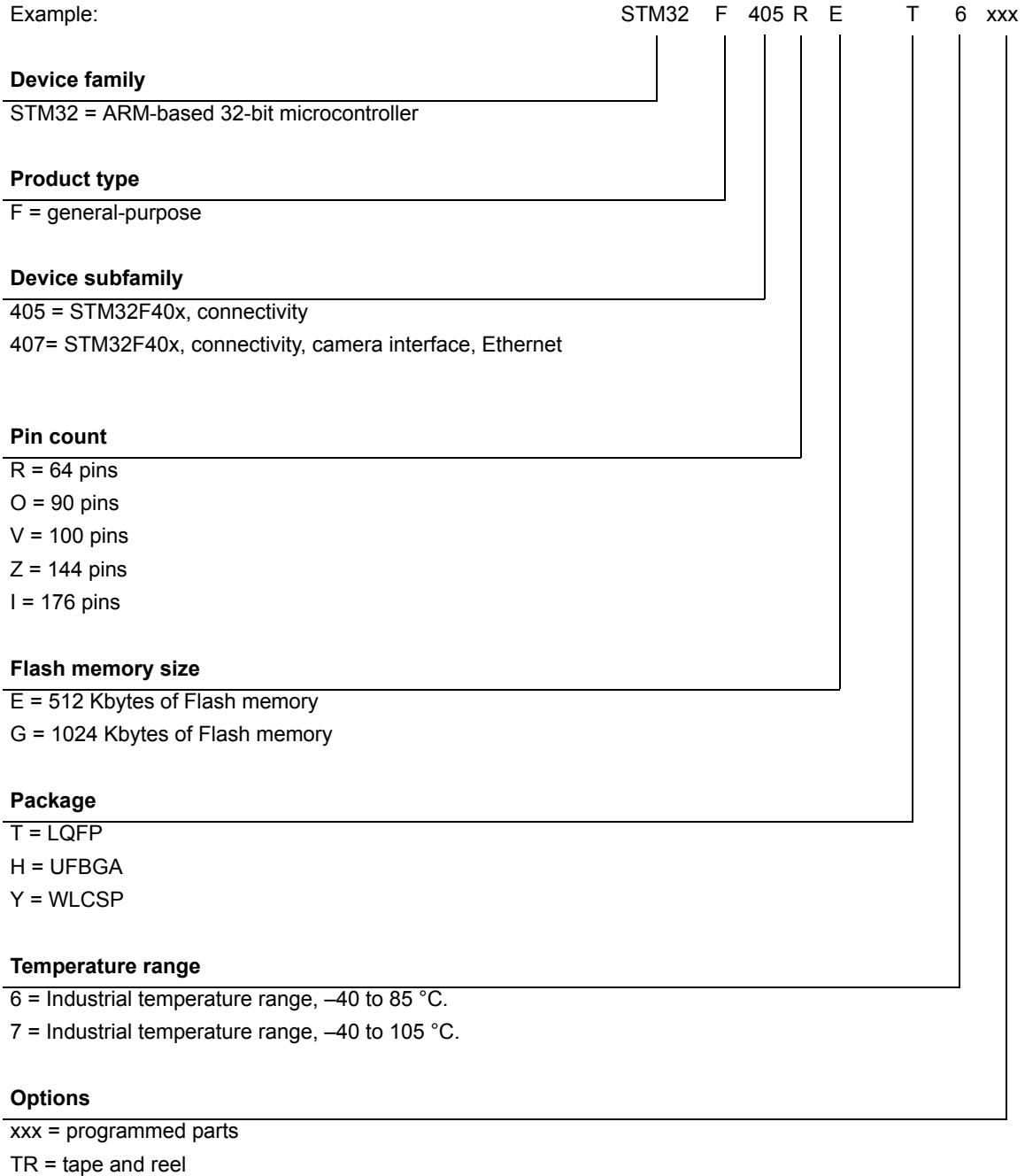
| Symbol        | Parameter   | Value | Unit |
|---------------|---|-------|------|
| $\Theta_{JA}$ | Thermal resistance junction-ambient<br>LQFP64 - 10 × 10 mm / 0.5 mm pitch   | 46    | °C/W |
|               | Thermal resistance junction-ambient<br>LQFP100 - 14 × 14 mm / 0.5 mm pitch  | 43    |      |
|               | Thermal resistance junction-ambient<br>LQFP144 - 20 × 20 mm / 0.5 mm pitch  | 40    |      |
|               | Thermal resistance junction-ambient<br>LQFP176 - 24 × 24 mm / 0.5 mm pitch  | 38    |      |
|               | Thermal resistance junction-ambient<br>UFBGA176 - 10× 10 mm / 0.65 mm pitch | 39    |      |
|               | Thermal resistance junction-ambient<br>WLCSP90 - 0.400 mm pitch             | 38.1  |      |

### Reference document

JESD51-2 Integrated Circuits Thermal Test Method Environment Conditions - Natural Convection (Still Air). Available from [www.jedec.org](http://www.jedec.org).

# 7 Part numbering

**Table 97. Ordering information scheme**

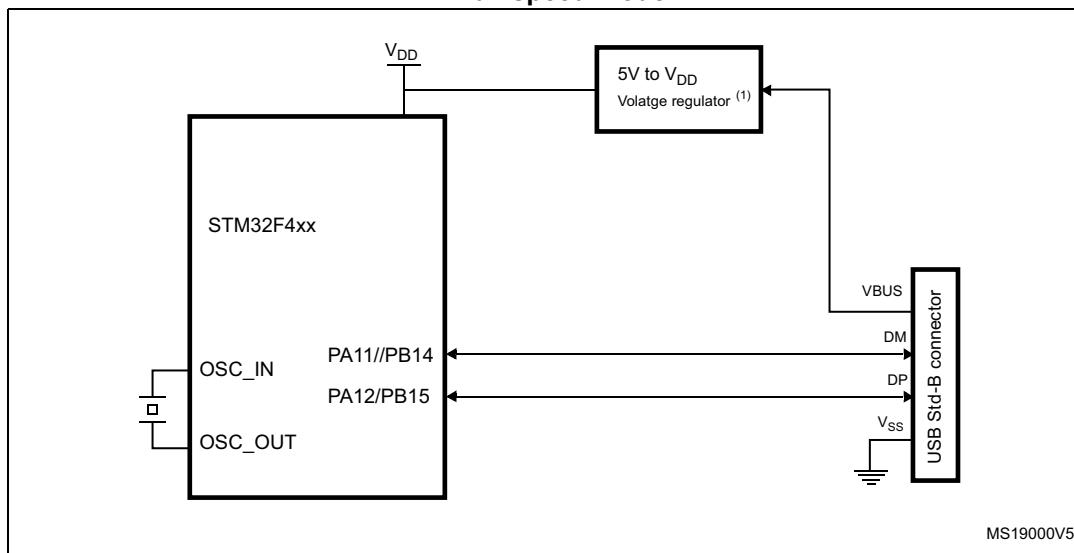


For a list of available options (speed, package, etc.) or for further information on any aspect of this device, please contact your nearest ST sales office.

## Appendix A Application block diagrams

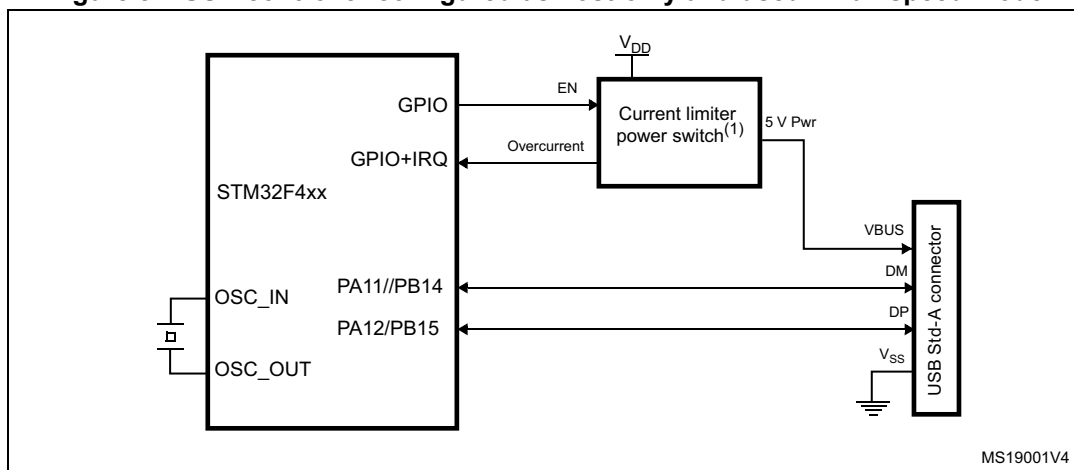
### A.1 USB OTG full speed (FS) interface solutions

Figure 86. USB controller configured as peripheral-only and used in Full speed mode



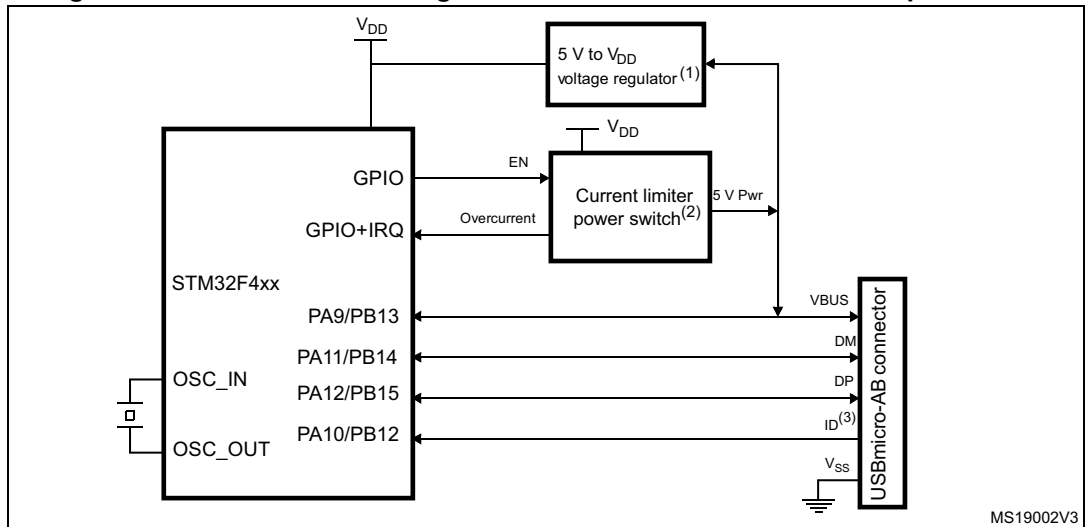
1. External voltage regulator only needed when building a  $V_{BUS}$  powered device.
2. The same application can be developed using the OTG HS in FS mode to achieve enhanced performance thanks to the large Rx/Tx FIFO and to a dedicated DMA controller.

Figure 87. USB controller configured as host-only and used in full speed mode



1. The current limiter is required only if the application has to support a  $V_{BUS}$  powered device. A basic power switch can be used if 5 V are available on the application board.
2. The same application can be developed using the OTG HS in FS mode to achieve enhanced performance thanks to the large Rx/Tx FIFO and to a dedicated DMA controller.

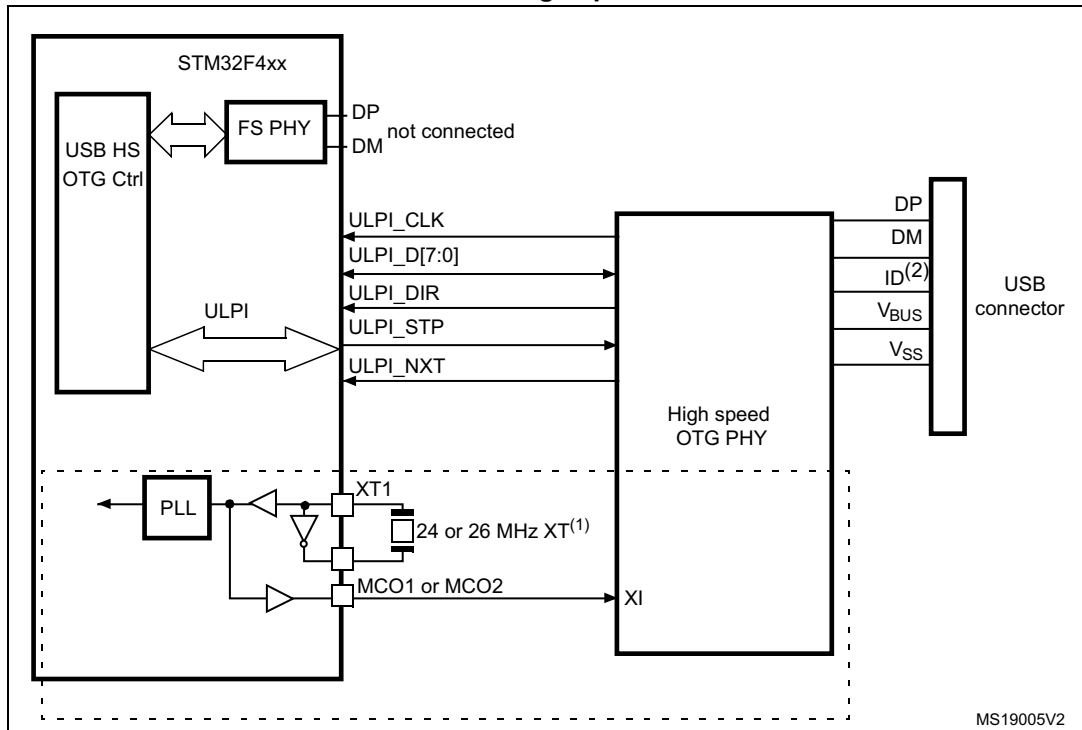
Figure 88. USB controller configured in dual mode and used in full speed mode



1. External voltage regulator only needed when building a V<sub>BUS</sub> powered device.
2. The current limiter is required only if the application has to support a V<sub>BUS</sub> powered device. A basic power switch can be used if 5 V are available on the application board.
3. The ID pin is required in dual role only.
4. The same application can be developed using the OTG HS in FS mode to achieve enhanced performance thanks to the large Rx/Tx FIFO and to a dedicated DMA controller.

## A.2 USB OTG high speed (HS) interface solutions

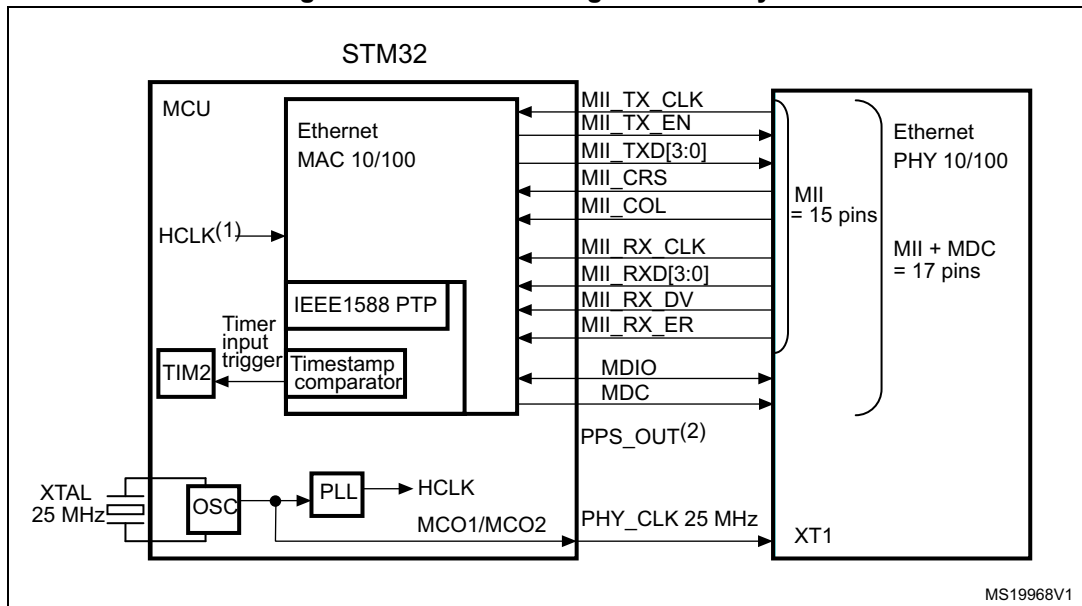
Figure 89. USB controller configured as peripheral, host, or dual-mode and used in high speed mode



1. It is possible to use MCO1 or MCO2 to save a crystal. It is however not mandatory to clock the STM32F40x with a 24 or 26 MHz crystal when using USB HS. The above figure only shows an example of a possible connection.
2. The ID pin is required in dual role only.

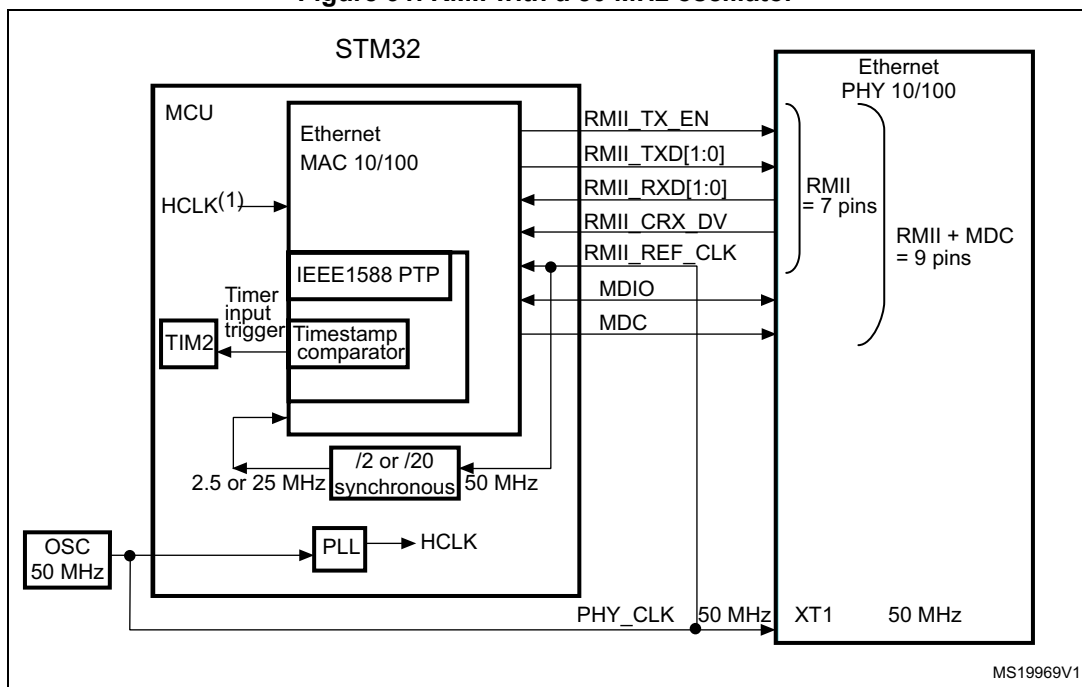
### A.3 Ethernet interface solutions

Figure 90. MII mode using a 25 MHz crystal



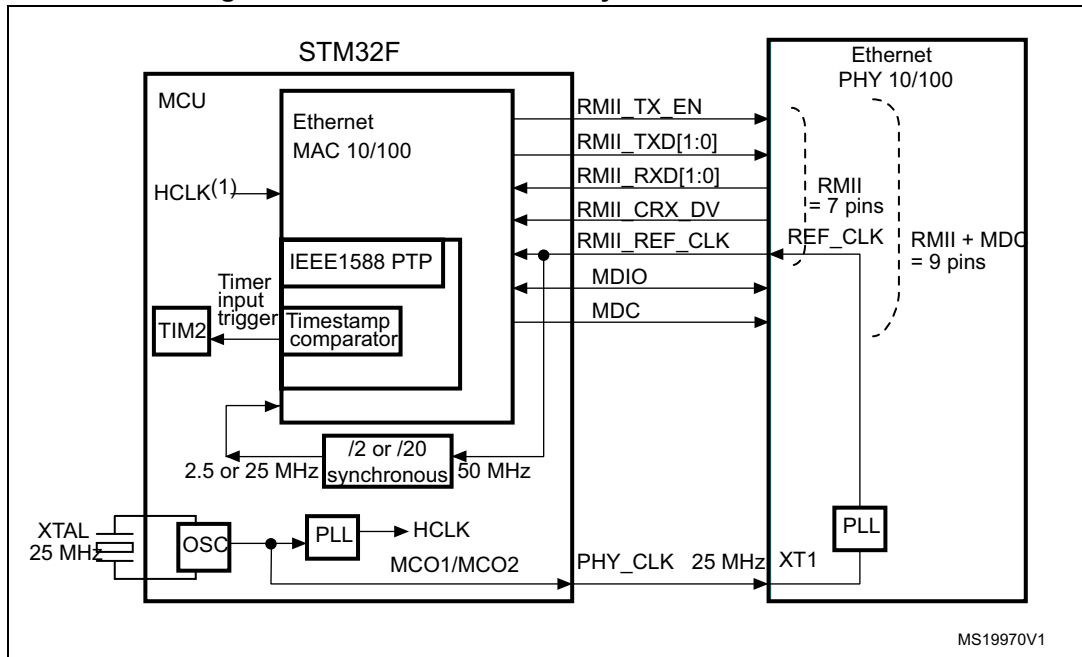
1.  $f_{HCLK}$  must be greater than 25 MHz.
2. Pulse per second when using IEEE1588 PTP optional signal.

Figure 91. RMIi with a 50 MHz oscillator



1.  $f_{HCLK}$  must be greater than 25 MHz.

Figure 92. RMIi with a 25 MHz crystal and PHY with PLL



1.  $f_{HCLK}$  must be greater than 25 MHz.
2. The 25 MHz (PHY\_CLK) must be derived directly from the HSE oscillator, before the PLL block.



## 8 Revision history

**Table 98. Document revision history**

| Date        | Revision | Changes   |
|-------------|----------|---|
| 15-Sep-2011 | 1        | Initial release.  |
| 24-Jan-2012 | 2        | <p>Added WLCSP90 package on cover page.</p> <p>Renamed USART4 and USART5 into UART4 and UART5, respectively.</p> <p>Updated number of USB OTG HS and FS in <a href="#">Table 2: STM32F405xx and STM32F407xx: features and peripheral counts</a>.</p> <p>Updated <a href="#">Figure 3: Compatible board design between STM32F10xx/STM32F2xx/STM32F4xx for LQFP144 package</a> and <a href="#">Figure 4: Compatible board design between STM32F2xx and STM32F4xx for LQFP176 and BGA176 packages</a>, and removed note 1 and 2.</p> <p>Updated <a href="#">Section 2.2.9: Flexible static memory controller (FSMC)</a>.</p> <p>Modified I/Os used to reprogram the Flash memory for CAN2 and USB OTG FS in <a href="#">Section 2.2.13: Boot modes</a>.</p> <p>Updated note in <a href="#">Section 2.2.14: Power supply schemes</a>.</p> <p>PDR_ON no more available on LQFP100 package. Updated <a href="#">Section 2.2.16: Voltage regulator</a>. Updated condition to obtain a minimum supply voltage of 1.7 V in the whole document.</p> <p>Renamed USART4/5 to UART4/5 and added LIN and IrDA feature for UART4 and UART5 in <a href="#">Table 5: USART feature comparison</a>.</p> <p>Removed support of I2C for OTG PHY in <a href="#">Section 2.2.30: Universal serial bus on-the-go full-speed (OTG_FS)</a>.</p> <p>Added <a href="#">Table 6: Legend/abbreviations used in the pinout table</a>.</p> <p><a href="#">Table 7: STM32F40x pin and ball definitions</a>: replaced V<sub>SS_3</sub>, V<sub>SS_4</sub>, and V<sub>SS_8</sub> by V<sub>SS</sub>; reformatted <a href="#">Table 7: STM32F40x pin and ball definitions</a> to better highlight I/O structure, and alternate functions versus additional functions; signal corresponding to LQFP100 pin 99 changed from PDR_ON to V<sub>SS</sub>; EVENTOUT added in the list of alternate functions for all I/Os; ADC3_IN8 added as alternate function for PF10; FSMC_CLE and FSMC_ALE added as alternate functions for PD11 and PD12, respectively; PH10 alternate function TIM15_CH1_ETR renamed TIM5_CH1; updated PA4 and PA5 I/O structure to TTA.</p> <p>Removed OTG_HS_SCL, OTG_HS_SDA, OTG_FS_INTN in <a href="#">Table 7: STM32F40x pin and ball definitions</a> and <a href="#">Table 9: Alternate function mapping</a>.</p> <p>Changed TCM data RAM to CCM data RAM in <a href="#">Figure 18: STM32F40x memory map</a>.</p> <p>Added I<sub>VDD</sub> and I<sub>VSS</sub> maximum values in <a href="#">Table 12: Current characteristics</a>.</p> <p>Added <a href="#">Note 1</a> related to f<sub>HCLK</sub>, updated <a href="#">Note 2</a> in <a href="#">Table 14: General operating conditions</a>, and added maximum power dissipation values.</p> <p>Updated <a href="#">Table 15: Limitations depending on the operating power supply range</a>.</p> |

**Table 98. Document revision history (continued)**

| Date        | Revision         | Changes  |
|-------------|------------------|--|
| 24-Jan-2012 | 2<br>(continued) | <p>Added <math>V_{12}</math> in <a href="#">Table 19: Embedded reset and power control block characteristics</a>.</p> <p>Updated <a href="#">Table 21: Typical and maximum current consumption in Run mode, code with data processing running from Flash memory (ART accelerator disabled)</a> and <a href="#">Table 20: Typical and maximum current consumption in Run mode, code with data processing running from Flash memory (ART accelerator enabled) or RAM</a>. Added <a href="#">Figure 25</a>, <a href="#">Figure 26</a>, and <a href="#">Figure 27</a>.</p> <p>Updated <a href="#">Table 22: Typical and maximum current consumption in Sleep mode</a> and removed Note 1.</p> <p>Updated <a href="#">Table 23: Typical and maximum current consumptions in Stop mode</a> and <a href="#">Table 24: Typical and maximum current consumptions in Standby mode</a>, <a href="#">Table 25: Typical and maximum current consumptions in VBAT mode</a>, and <a href="#">Table 26: Switching output I/O current consumption</a>.</p> <p><a href="#">Section : On-chip peripheral current consumption</a>: modified conditions, and updated <a href="#">Table 27: Peripheral current consumption</a> and <a href="#">Note 2</a>.</p> <p>Changed <math>f_{HSE\_ext}</math> to 50 MHz and <math>t_{r(HSE)}/t_{f(HSE)}</math> maximum value in <a href="#">Table 29: High-speed external user clock characteristics</a>.</p> <p>Added <math>C_{in(LSE)}</math> in <a href="#">Table 30: Low-speed external user clock characteristics</a>.</p> <p>Updated maximum PLL input clock frequency, removed related note, and deleted jitter for MCO for RMII Ethernet typical value in <a href="#">Table 35: Main PLL characteristics</a>. Updated maximum PLLI2S input clock frequency and removed related note in <a href="#">Table 36: PLLI2S (audio PLL) characteristics</a>.</p> <p>Updated <a href="#">Section : Flash memory</a> to specify that the devices are shipped to customers with the Flash memory erased. Updated <a href="#">Table 38: Flash memory characteristics</a>, and added <math>t_{ME}</math> in <a href="#">Table 39: Flash memory programming</a>.</p> <p>Updated <a href="#">Table 42: EMS characteristics</a>, and <a href="#">Table 43: EMI characteristics</a>.</p> <p>Updated <a href="#">Table 56: I2S dynamic characteristics</a></p> <p>Updated <a href="#">Figure 46: ULPI timing diagram</a> and <a href="#">Table 62: ULPI timing</a>.</p> <p>Added <math>t_{COUNTER}</math> and <math>t_{MAX\_COUNT}</math> in <a href="#">Table 51: Characteristics of TIMx connected to the APB1 domain</a> and <a href="#">Table 52: Characteristics of TIMx connected to the APB2 domain</a>. Updated <a href="#">Table 65: Dynamic characteristics: Ethernet MAC signals for RMII</a>.</p> <p>Removed USB-IF certification in <a href="#">Section : USB OTG FS characteristics</a>.</p> |

Table 98. Document revision history (continued)

| Date        | Revision         | Changes  |
|-------------|------------------|--|
| 24-Jan-2012 | 2<br>(continued) | <p>Updated <a href="#">Table 61: USB HS clock timing parameters</a></p> <p>Updated <a href="#">Table 67: ADC characteristics</a>.</p> <p>Updated <a href="#">Table 68: ADC accuracy at fADC = 30 MHz</a>.</p> <p>Updated <a href="#">Note 1</a> in <a href="#">Table 74: DAC characteristics</a>.</p> <p><a href="#">Section 5.3.25: FSMC characteristics</a>: updated <a href="#">Table 75</a> to <a href="#">Table 86</a>, changed C<sub>L</sub> value to 30 pF, and modified FSMC configuration for asynchronous timings and waveforms. Updated <a href="#">Figure 60: Synchronous multiplexed PSRAM write timings</a>.</p> <p>Updated <a href="#">Table 96: Package thermal characteristics</a>.</p> <p><a href="#">Appendix A.1: USB OTG full speed (FS) interface solutions</a>: modified <a href="#">Figure 86: USB controller configured as peripheral-only and used in Full speed mode</a> added <a href="#">Note 2</a>, updated <a href="#">Figure 87: USB controller configured as host-only and used in full speed mode</a> and added <a href="#">Note 2</a>, changed <a href="#">Figure 88: USB controller configured in dual mode and used in full speed mode</a> and added <a href="#">Note 3</a>.</p> <p><a href="#">Appendix A.2: USB OTG high speed (HS) interface solutions</a>: removed figures <a href="#">USB OTG HS device-only connection in FS mode</a> and <a href="#">USB OTG HS host-only connection in FS mode</a>, and updated <a href="#">Figure 89: USB controller configured as peripheral, host, or dual-mode and used in high speed mode</a> and added <a href="#">Note 2</a>.</p> <p>Added <a href="#">Appendix A.3: Ethernet interface solutions</a>.</p> |

Table 98. Document revision history (continued)

| Date        | Revision | Changes  |
|-------------|----------|--|
| 31-May-2012 | 3        | <p>Updated <a href="#">Figure 5: STM32F40x block diagram</a> and <a href="#">Figure 7: Power supply supervisor interconnection with internal reset OFF</a></p> <p>Added SDIO, added notes related to FSMC and SPI/I2S in <a href="#">Table 2: STM32F405xx and STM32F407xx: features and peripheral counts</a>.</p> <p>Starting from Silicon revision Z, USB OTG full-speed interface is now available for all STM32F405xx devices.</p> <p>Added full information on WLCSP90 package together with corresponding part numbers.</p> <p>Changed number of AHB buses to 3.</p> <p>Modified available Flash memory sizes in <a href="#">Section 2.2.4: Embedded Flash memory</a>.</p> <p>Modified number of maskable interrupt channels in <a href="#">Section 2.2.10: Nested vectored interrupt controller (NVIC)</a>.</p> <p>Updated case of Regulator ON/internal reset ON, Regulator ON/internal reset OFF, and Regulator OFF/internal reset ON in <a href="#">Section 2.2.16: Voltage regulator</a>.</p> <p>Updated standby mode description in <a href="#">Section 2.2.19: Low-power modes</a>.</p> <p>Added <a href="#">Note 1</a> below <a href="#">Figure 16: STM32F40x UFBGA176 ballout</a>.</p> <p>Added <a href="#">Note 1</a> below <a href="#">Figure 17: STM32F40x WLCSP90 ballout</a>.</p> <p>Updated <a href="#">Table 7: STM32F40x pin and ball definitions</a>.</p> <p>Added <a href="#">Table 8: FSMC pin definition</a>.</p> <p>Removed OTG_HS_INTN alternate function in <a href="#">Table 7: STM32F40x pin and ball definitions</a> and <a href="#">Table 9: Alternate function mapping</a>.</p> <p>Removed I2S2_WS on PB6/AF5 in <a href="#">Table 9: Alternate function mapping</a>.</p> <p>Replaced JTRST by NJTRST, removed ETH_RMII_TX_CLK, and modified I2S3ext_SD on PC11 in <a href="#">Table 9: Alternate function mapping</a>.</p> <p>Added <a href="#">Table 10: STM32F40x register boundary addresses</a>.</p> <p>Updated <a href="#">Figure 18: STM32F40x memory map</a>.</p> <p>Updated <math>V_{DDA}</math> and <math>V_{REF+}</math> decoupling capacitor in <a href="#">Figure 21: Power supply scheme</a>.</p> <p>Added power dissipation maximum value for WLCSP90 in <a href="#">Table 14: General operating conditions</a>.</p> <p>Updated <math>V_{POR/PDR}</math> in <a href="#">Table 19: Embedded reset and power control block characteristics</a>.</p> <p>Updated notes in <a href="#">Table 21: Typical and maximum current consumption in Run mode, code with data processing running from Flash memory (ART accelerator disabled)</a>, <a href="#">Table 20: Typical and maximum current consumption in Run mode, code with data processing running from Flash memory (ART accelerator enabled) or RAM</a>, and <a href="#">Table 22: Typical and maximum current consumption in Sleep mode</a>.</p> <p>Updated maximum current consumption at <math>T_A = 25^\circ\text{C}</math> in <a href="#">Table 23: Typical and maximum current consumptions in Stop mode</a>.</p> |

Table 98. Document revision history (continued)

| Date        | Revision         | Changes   |
|-------------|------------------|---|
| 31-May-2012 | 3<br>(continued) | <p>Removed <math>f_{HSE\_ext}</math> typical value in <a href="#">Table 29: High-speed external user clock characteristics</a>. Updated <a href="#">Table 31: HSE 4-26 MHz oscillator characteristics</a> and <a href="#">Table 32: LSE oscillator characteristics (fLSE = 32.768 kHz)</a>.</p> <p>Added <math>f_{PLL48\_OUT}</math> maximum value in <a href="#">Table 35: Main PLL characteristics</a>.</p> <p>Modified equation 1 and 2 in <a href="#">Section 5.3.11: PLL spread spectrum clock generation (SSCG) characteristics</a>.</p> <p>Updated <a href="#">Table 38: Flash memory characteristics</a>, <a href="#">Table 39: Flash memory programming</a>, and <a href="#">Table 40: Flash memory programming with VPP</a>.</p> <p>Updated <a href="#">Section : Output driving current</a>.</p> <p><a href="#">Table 53: I2C characteristics: Note 4</a> updated and applied to <math>t_{h(SDA)}</math> in Fast mode, and removed note 4 related to <math>t_{h(SDA)}</math> minimum value.</p> <p>Updated <a href="#">Table 67: ADC characteristics</a>. Updated note concerning ADC accuracy vs. negative injection current below <a href="#">Table 68: ADC accuracy at <math>f_{ADC} = 30</math> MHz</a>.</p> <p>Added WLCSP90 thermal resistance in <a href="#">Table 96: Package thermal characteristics</a>.</p> <p>Updated <a href="#">Table 90: WLCSP90 - 0.400 mm pitch wafer level chip size package mechanical data</a>.</p> <p>Updated <a href="#">Figure 83: UFBGA176+25 - ultra thin fine pitch ball grid array 10 × 10 × 0.6 mm, package outline</a> and <a href="#">Table 94: UFBGA176+25 - ultra thin fine pitch ball grid array 10 × 10 × 0.6 mm mechanical data</a>.</p> <p>Added <a href="#">Figure 85: LQFP176 recommended footprint</a>.</p> <p>Removed 256 and 768 Kbyte Flash memory density from <a href="#">Table 97: Ordering information scheme</a>.</p> |

**Table 98. Document revision history (continued)**

| Date        | Revision | Changes   |
|-------------|----------|---|
| 04-Jun-2013 | 4        | <p>Modified <a href="#">Note 1</a> below <a href="#">Table 2: STM32F405xx and STM32F407xx: features and peripheral counts</a>.</p> <p>Updated <a href="#">Figure 4</a> title.</p> <p>Updated <a href="#">Note 3</a> below <a href="#">Figure 21: Power supply scheme</a>.</p> <p>Changed simplex mode into half-duplex mode in <a href="#">Section 2.2.25: Inter-integrated sound (I2S)</a>.</p> <p>Replaced DAC1_OUT and DAC2_OUT by DAC_OUT1 and DAC_OUT2, respectively.</p> <p>Updated pin 36 signal in <a href="#">Figure 15: STM32F40x LQFP176 pinout</a>.</p> <p>Changed pin number from F8 to D4 for PA13 pin in <a href="#">Table 7: STM32F40x pin and ball definitions</a>.</p> <p>Replaced TIM2_CH1/TIM2_ETR by TIM2_CH1_ETR for PA0 and PA5 pins in <a href="#">Table 9: Alternate function mapping</a>.</p> <p>Changed system memory into System memory + OTP in <a href="#">Figure 18: STM32F40x memory map</a>.</p> <p>Added <a href="#">Note 1</a> below <a href="#">Table 16: VCAP_1/VCAP_2 operating conditions</a>.</p> <p>Updated I<sub>DDA</sub> description in <a href="#">Table 74: DAC characteristics</a>.</p> <p>Removed PA9/PB13 connection to VBUS in <a href="#">Figure 86: USB controller configured as peripheral-only and used in Full speed mode</a> and <a href="#">Figure 87: USB controller configured as host-only and used in full speed mode</a>.</p> <p>Updated SPI throughput on front page and <a href="#">Section 2.2.24: Serial peripheral interface (SPI)</a></p> <p>Updated operating voltages in <a href="#">Table 2: STM32F405xx and STM32F407xx: features and peripheral counts</a></p> <p>Updated note in <a href="#">Section 2.2.14: Power supply schemes</a></p> <p>Updated <a href="#">Section 2.2.15: Power supply supervisor</a></p> <p>Updated “Regulator ON” paragraph in <a href="#">Section 2.2.16: Voltage regulator</a></p> <p>Removed note in <a href="#">Section 2.2.19: Low-power modes</a></p> <p>Corrected wrong reference manual in <a href="#">Section 2.2.28: Ethernet MAC interface with dedicated DMA and IEEE 1588 support</a></p> <p>Updated <a href="#">Table 15: Limitations depending on the operating power supply range</a></p> <p>Updated <a href="#">Table 24: Typical and maximum current consumptions in Standby mode</a></p> <p>Updated <a href="#">Table 25: Typical and maximum current consumptions in VBAT mode</a></p> <p>Updated <a href="#">Table 36: PLLI2S (audio PLL) characteristics</a></p> <p>Updated <a href="#">Table 43: EMI characteristics</a></p> <p>Updated <a href="#">Table 48: Output voltage characteristics</a></p> <p>Updated <a href="#">Table 50: NRST pin characteristics</a></p> <p>Updated <a href="#">Table 55: SPI dynamic characteristics</a></p> <p>Updated <a href="#">Table 56: I2S dynamic characteristics</a></p> <p>Deleted <a href="#">Table 59</a></p> <p>Updated <a href="#">Table 62: ULPI timing</a></p> <p>Updated <a href="#">Figure 47: Ethernet SMI timing diagram</a></p> |

Table 98. Document revision history (continued)

| Date        | Revision         | Changes  |
|-------------|------------------|--|
| 04-Jun-2013 | 4<br>(continued) | <p>Updated <a href="#">Figure 83: UFBGA176+25 - ultra thin fine pitch ball grid array 10 × 10 × 0.6 mm, package outline</a></p> <p>Updated <a href="#">Table 94: UFBGA176+25 - ultra thin fine pitch ball grid array 10 × 10 × 0.6 mm mechanical data</a></p> <p>Updated <a href="#">Figure 5: STM32F40x block diagram</a></p> <p>Updated <a href="#">Section 2: Description</a></p> <p>Updated footnote <sup>(3)</sup> in <a href="#">Table 2: STM32F405xx and STM32F407xx: features and peripheral counts</a></p> <p>Updated <a href="#">Figure 3: Compatible board design between STM32F10xx/STM32F2xx/STM32F4xx for LQFP144 package</a></p> <p>Updated <a href="#">Figure 4: Compatible board design between STM32F2xx and STM32F4xx for LQFP176 and BGA176 packages</a></p> <p>Updated <a href="#">Section 2.2.14: Power supply schemes</a></p> <p>Updated <a href="#">Section 2.2.15: Power supply supervisor</a></p> <p>Updated <a href="#">Section 2.2.16: Voltage regulator</a>, including figures.</p> <p>Updated <a href="#">Table 14: General operating conditions</a>, including footnote <sup>(2)</sup>.</p> <p>Updated <a href="#">Table 15: Limitations depending on the operating power supply range</a>, including footnote <sup>(3)</sup>.</p> <p>Updated footnote <sup>(1)</sup> in <a href="#">Table 67: ADC characteristics</a>.</p> <p>Updated footnote <sup>(3)</sup> in <a href="#">Table 68: ADC accuracy at fADC = 30 MHz</a>.</p> <p>Updated footnote <sup>(1)</sup> in <a href="#">Table 74: DAC characteristics</a>.</p> <p>Updated <a href="#">Figure 9: Regulator OFF</a>.</p> <p>Updated <a href="#">Figure 7: Power supply supervisor interconnection with internal reset OFF</a>.</p> <p>Added <a href="#">Section 2.2.17: Regulator ON/OFF and internal reset ON/OFF availability</a>.</p> <p>Updated footnote <sup>(2)</sup> of <a href="#">Figure 21: Power supply scheme</a>.</p> <p>Replaced respectively "I2S3S_WS" by "I2S3_WS", "I2S3_CK" by "I2S3_CK" and "FSMC_BLN1" by "FSMC_NBL1" in <a href="#">Table 9: Alternate function mapping</a>.</p> <p>Added "EVENTOUT" as alternate function "AF15" for pin PC13, PC14, PC15, PH0, PH1, PI8 in <a href="#">Table 9: Alternate function mapping</a></p> <p>Replaced "DCMI_12" by "DCMI_D12" in <a href="#">Table 7: STM32F40x pin and ball definitions</a>.</p> <p>Removed the following sentence from <a href="#">Section : I2C interface characteristics</a>: "Unless otherwise specified, the parameters given in <a href="#">Table 53</a> are derived from tests performed under the ambient temperature, f<sub>PCLK1</sub> frequency and V<sub>DD</sub> supply voltage conditions summarized in <a href="#">Table 14</a>."</p> <p>In <a href="#">Table 7: STM32F40x pin and ball definitions on page 45</a>:</p> <ul style="list-style-type: none"> <li>– For pin PC13, replaced "RTC_AF1" by "RTC_OUT, RTC_TAMP1, RTC_TS"</li> <li>– for pin PI8, replaced "RTC_AF2" by "RTC_TAMP1, RTC_TAMP2, RTC_TS".</li> <li>– for pin PB15, added RTC_REFIN in Alternate functions column.</li> </ul> <p>In <a href="#">Table 9: Alternate function mapping on page 60</a>, for port PB15, replaced "RTC_50Hz" by "RTC_REFIN".</p> |

**Table 98. Document revision history (continued)**

| Date        | Revision         | Changes  |
|-------------|------------------|--|
| 04-Jun-2013 | 4<br>(continued) | <p>Updated <a href="#">Figure 6: Multi-AHB matrix</a>.</p> <p>Updated <a href="#">Figure 7: Power supply supervisor interconnection with internal reset OFF</a></p> <p>Changed 1.2 V to <math>V_{12}</math> in <a href="#">Section : Regulator OFF</a></p> <p>Updated LQFP176 pin 48.</p> <p>Updated <a href="#">Section 1: Introduction</a>.</p> <p>Updated <a href="#">Section 2: Description</a>.</p> <p>Updated operating voltage in <a href="#">Table 2: STM32F405xx and STM32F407xx: features and peripheral counts</a>.</p> <p>Updated <a href="#">Note 1</a>.</p> <p>Updated <a href="#">Section 2.2.15: Power supply supervisor</a>.</p> <p>Updated <a href="#">Section 2.2.16: Voltage regulator</a>.</p> <p>Updated <a href="#">Figure 9: Regulator OFF</a>.</p> <p>Updated <a href="#">Table 3: Regulator ON/OFF and internal reset ON/OFF availability</a>.</p> <p>Updated <a href="#">Section 2.2.19: Low-power modes</a>.</p> <p>Updated <a href="#">Section 2.2.20: VBAT operation</a>.</p> <p>Updated <a href="#">Section 2.2.22: Inter-integrated circuit interface (I<sup>2</sup>C)</a> .</p> <p>Updated pin 48 in <a href="#">Figure 15: STM32F40x LQFP176 pinout</a>.</p> <p>Updated <a href="#">Table 6: Legend/abbreviations used in the pinout table</a>.</p> <p>Updated <a href="#">Table 7: STM32F40x pin and ball definitions</a>.</p> <p>Updated <a href="#">Table 14: General operating conditions</a>.</p> <p>Updated <a href="#">Table 15: Limitations depending on the operating power supply range</a>.</p> <p>Updated <a href="#">Section 5.3.7: Wakeup time from low-power mode</a>.</p> <p>Updated <a href="#">Table 33: HSI oscillator characteristics</a>.</p> <p>Updated <a href="#">Section 5.3.15: I/O current injection characteristics</a>.</p> <p>Updated <a href="#">Table 47: I/O static characteristics</a>.</p> <p>Updated <a href="#">Table 50: NRST pin characteristics</a>.</p> <p>Updated <a href="#">Table 53: I2C characteristics</a>.</p> <p>Updated <a href="#">Figure 39: I2C bus AC waveforms and measurement circuit</a>.</p> <p>Updated <a href="#">Section 5.3.19: Communications interfaces</a>.</p> <p>Updated <a href="#">Table 67: ADC characteristics</a>.</p> <p>Added <a href="#">Table 70: Temperature sensor calibration values</a>.</p> <p>Added <a href="#">Table 73: Internal reference voltage calibration values</a>.</p> <p>Updated <a href="#">Section 5.3.25: FSMC characteristics</a>.</p> <p>Updated <a href="#">Section 5.3.27: SD/SDIO MMC card host interface (SDIO) characteristics</a>.</p> <p>Updated <a href="#">Table 23: Typical and maximum current consumptions in Stop mode</a>.</p> <p>Updated <a href="#">Section : SPI interface characteristics</a> included <a href="#">Table 55</a>.</p> <p>Updated <a href="#">Section : I2S interface characteristics</a> included <a href="#">Table 56</a>.</p> <p>Updated <a href="#">Table 64: Dynamic characteristics: Ethernet MAC signals for SMI</a>.</p> <p>Updated <a href="#">Table 66: Dynamic characteristics: Ethernet MAC signals for MII</a>.</p> |



Table 98. Document revision history (continued)

| Date        | Revision         | Changes  |
|-------------|------------------|--|
| 04-Jun-2013 | 4<br>(continued) | <p>Updated <a href="#">Table 64: Dynamic characteristics: Ethernet MAC signals for SMI</a>.</p> <p>Updated <a href="#">Table 66: Dynamic characteristics: Ethernet MAC signals for MII</a>.</p> <p>Updated <a href="#">Table 79: Synchronous multiplexed NOR/PSRAM read timings</a>.</p> <p>Updated <a href="#">Table 80: Synchronous multiplexed PSRAM write timings</a>.</p> <p>Updated <a href="#">Table 81: Synchronous non-multiplexed NOR/PSRAM read timings</a>.</p> <p>Updated <a href="#">Table 82: Synchronous non-multiplexed PSRAM write timings</a>.</p> <p>Updated <a href="#">Section 5.3.26: Camera interface (DCMI) timing specifications</a> including <a href="#">Table 87: DCMI characteristics</a> and addition of <a href="#">Figure 73: DCMI timing diagram</a>.</p> <p>Updated <a href="#">Section 5.3.27: SD/SDIO MMC card host interface (SDIO) characteristics</a> including <a href="#">Table 88</a>.</p> <p>Updated <a href="#">Chapter Figure 9</a>.</p> |

**Please Read Carefully:**

Information in this document is provided solely in connection with ST products. STMicroelectronics NV and its subsidiaries ("ST") reserve the right to make changes, corrections, modifications or improvements, to this document, and the products and services described herein at any time, without notice.

All ST products are sold pursuant to ST's terms and conditions of sale.

Purchasers are solely responsible for the choice, selection and use of the ST products and services described herein, and ST assumes no liability whatsoever relating to the choice, selection or use of the ST products and services described herein.

No license, express or implied, by estoppel or otherwise, to any intellectual property rights is granted under this document. If any part of this document refers to any third party products or services it shall not be deemed a license grant by ST for the use of such third party products or services, or any intellectual property contained therein or considered as a warranty covering the use in any manner whatsoever of such third party products or services or any intellectual property contained therein.

**UNLESS OTHERWISE SET FORTH IN ST'S TERMS AND CONDITIONS OF SALE ST DISCLAIMS ANY EXPRESS OR IMPLIED WARRANTY WITH RESPECT TO THE USE AND/OR SALE OF ST PRODUCTS INCLUDING WITHOUT LIMITATION IMPLIED WARRANTIES OF MERCHANTABILITY, FITNESS FOR A PARTICULAR PURPOSE (AND THEIR EQUIVALENTS UNDER THE LAWS OF ANY JURISDICTION), OR INFRINGEMENT OF ANY PATENT, COPYRIGHT OR OTHER INTELLECTUAL PROPERTY RIGHT.**

**ST PRODUCTS ARE NOT AUTHORIZED FOR USE IN WEAPONS. NOR ARE ST PRODUCTS DESIGNED OR AUTHORIZED FOR USE IN: (A) SAFETY CRITICAL APPLICATIONS SUCH AS LIFE SUPPORTING, ACTIVE IMPLANTED DEVICES OR SYSTEMS WITH PRODUCT FUNCTIONAL SAFETY REQUIREMENTS; (B) AERONAUTIC APPLICATIONS; (C) AUTOMOTIVE APPLICATIONS OR ENVIRONMENTS, AND/OR (D) AEROSPACE APPLICATIONS OR ENVIRONMENTS. WHERE ST PRODUCTS ARE NOT DESIGNED FOR SUCH USE, THE PURCHASER SHALL USE PRODUCTS AT PURCHASER'S SOLE RISK, EVEN IF ST HAS BEEN INFORMED IN WRITING OF SUCH USAGE, UNLESS A PRODUCT IS EXPRESSLY DESIGNATED BY ST AS BEING INTENDED FOR "AUTOMOTIVE, AUTOMOTIVE SAFETY OR MEDICAL" INDUSTRY DOMAINS ACCORDING TO ST PRODUCT DESIGN SPECIFICATIONS. PRODUCTS FORMALLY ESCC, QML OR JAN QUALIFIED ARE DEEMED SUITABLE FOR USE IN AEROSPACE BY THE CORRESPONDING GOVERNMENTAL AGENCY.**

Resale of ST products with provisions different from the statements and/or technical features set forth in this document shall immediately void any warranty granted by ST for the ST product or service described herein and shall not create or extend in any manner whatsoever, any liability of ST.

ST and the ST logo are trademarks or registered trademarks of ST in various countries.

Information in this document supersedes and replaces all information previously supplied.

The ST logo is a registered trademark of STMicroelectronics. All other names are the property of their respective owners.

© 2013 STMicroelectronics - All rights reserved

STMicroelectronics group of companies

Australia - Belgium - Brazil - Canada - China - Czech Republic - Finland - France - Germany - Hong Kong - India - Israel - Italy - Japan - Malaysia - Malta - Morocco - Philippines - Singapore - Spain - Sweden - Switzerland - United Kingdom - United States of America

[www.st.com](http://www.st.com)

