



HESTORE.HU

elektronikai alkatrész áruház

EN: This Datasheet is presented by the manufacturer.

Please visit our website for pricing and availability at www.hestore.hu.

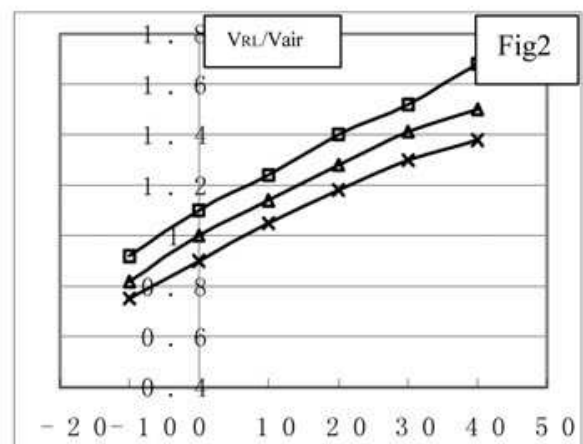
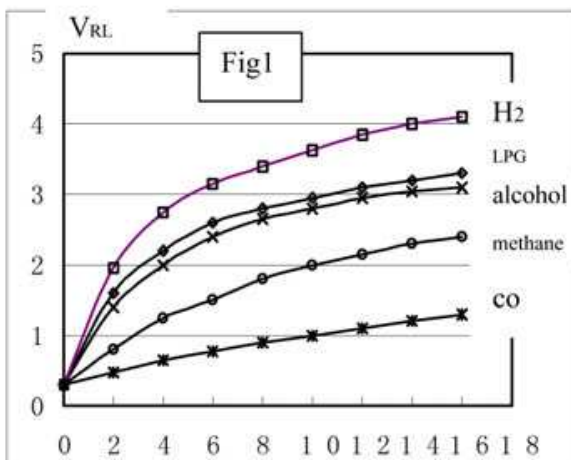
3.3. Sensitivity characteristic

Symbol	Description	technical parameter	remark 1	ramark 2
Rs	sensing body resistance	1K Ω -10K Ω (1000ppm isobutane)	suitable for 3000ppm LPG and propane	detecting concentration scope :
α (3000/1000) isobutane	concentration slope rate	≤ 0.6		300ppm-5000ppm liquified petroleum gas and propane
Standard Detecting Condition	Temp: 20°C \pm 2°C Vc:5V \pm 0.1 Humidity: 65% \pm 5% Vh: 5V \pm 0.1			300ppm-5000ppm isobutane
Preheat time	over 24 hour			5000ppm-20000ppm methane

3.4. Machinery characteristic

Project	condition	Property
Vibration	Frequency 100cpm	Should be conformed to given sensitivity characteristic
	Vertical vibrating amplitude	
	time 1 hour	
Punch	acceleration 100G	
	punch times 5	

4. Sensitivity characteristic curve of HS-129 sensor.
drawing 1 is relation curve of VRL and gas concentration.



At the: Temp: 20°C、Humidity: 65%、O2 concentration 21%, RL=5k Ω

Drawing 2 is relation curve between surface resistance and environment humidity.

5. Component structure and circuit symbols.

Series	Parts	materials
1	Gas sensing layer	SnO ₂
2	Measurement electrode	Au
3	Measurement electrode ignited line	Pt
4	Heater	N1-Cr alloy
5	Ceramic tube	Al ₂ O ₃
6	Anti-explosion network	100 dual layer stainless steel (SUS316)
7	Clamp ring	Ni plating
8	Basic seat	Bakelite
9	Pin	Ni plating

6. Electric parameter measurement circuit

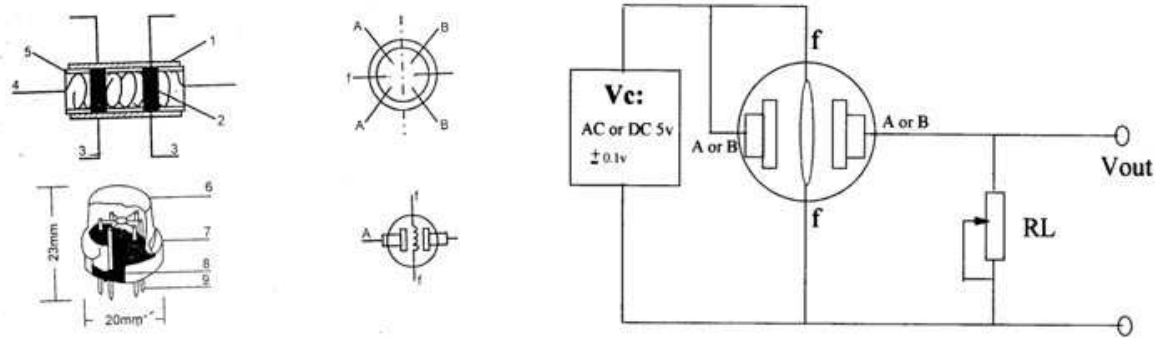


Fig:2

Drawing 4. The mentioned are block diagram of standard test of HS129. As environment temperature and humidity have certain effect to sensitivity. So, must consider environment factor when accurately measuring.

Drawing 5 is reference circuit (temperature compensation included)

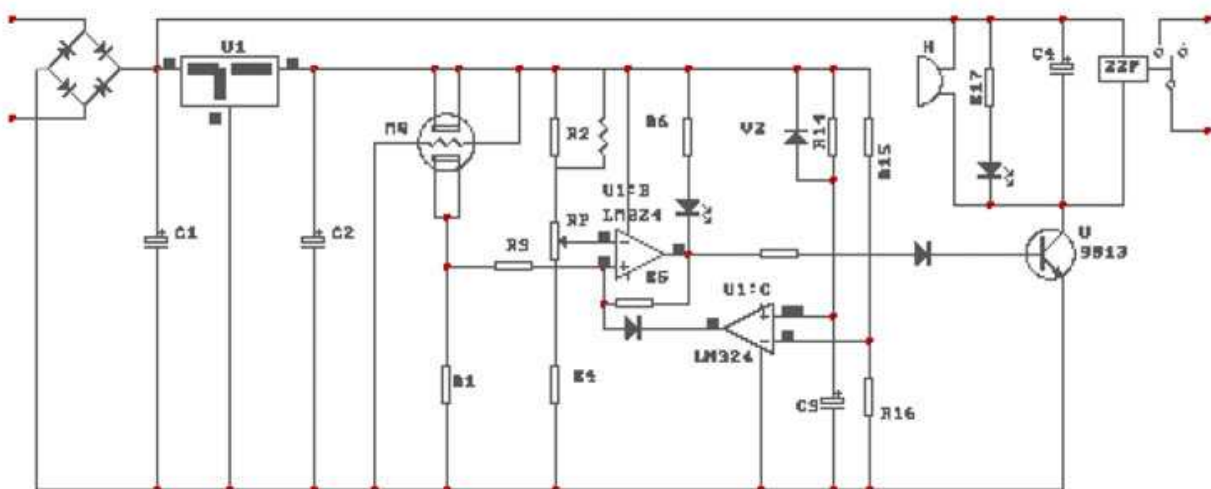


Fig. 5

