



HESTORE.HU

elektronikai alkatrész áruház

EN: This Datasheet is presented by the manufacturer.

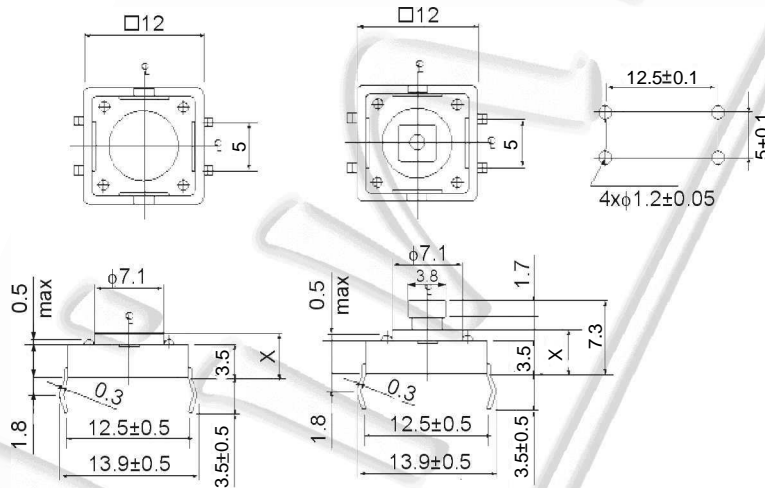
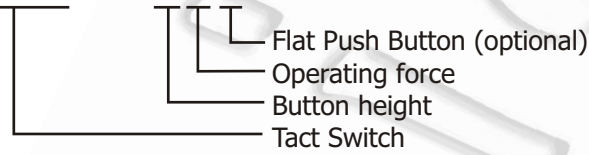
Please visit our website for pricing and availability at www.hestore.hu.



Specification:

- 1) Rating: 12 VDC, 50 mA
- 2) Travel: 0.25 ± 0.1 mm
- 3) Contact resistance: 100 m max.

TACTS-24NF



OPERATING FORCE

K	70 gf
V	100 gf
N	160 gf
R	260 gf
S	320 gf
M	520 gf

BUTTON HEIGHT

4	X=4.3 mm
5	X=5 mm
7	X=7 mm
9	X=9.5 mm
13	X=13 mm

CIRCUIT DIAGRAM

