



HESTORE.HU

elektronikai alkatrész áruház

EN: This Datasheet is presented by the manufacturer.

Please visit our website for pricing and availability at www.hestore.hu.

PIEZO BUZZER

| | |
|-------------------|------------------|
| Customer | |
| Customer P/O | |
| BeStar Model Name | BPT-380XAP230VAC |
| Product No. | 041005 |
| Issue No. | BS/TEP01.168A |
| Issue Date | 03/05/09 |

Approval:

- 1.Characteristic
- 2.Dimension
- 3.Reliability Test
- 4.Packing



BESTAR ELECTRONICS INDUSTRY CO., LTD
TianAn Industry Park4/F, Site B ChangZhou New District
Tel:86-519-5103228
Fax:86-519-5131010
Http:www.be-star.com
E-Mail:bestarco@pub.cz.jsinfo.net

BPT-380XAP230VAC(BPT-380XA230)

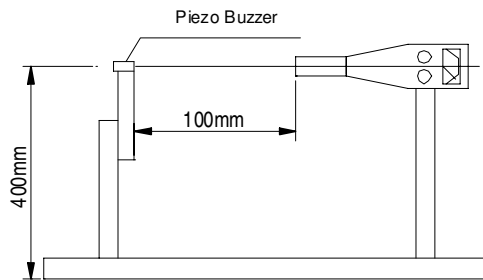


1. Characteristic

Electrical and Mechanical Characteristics

| No. | Item | Specifications |
|-----|--------------------------------------|----------------|
| 1. | Operating Voltage (VAC) | 130-240 |
| 2. | Rated Voltage (VAC) | 230 |
| 3. | a) Supply Current (mA) | 20 |
| 4. | a) Sound Pressure Level at 30 cm(dB) | 90 |
| 5. | a) Resonant Frequency(Hz) | 2900 ± 500 |
| 6. | @Tone Nature | FAST PULSE |
| 7. | Operating Temperature(° C) | -20...+60 |
| 8. | Storage Temperature(° C) | -30...+70 |
| | @rated pulse 3 ± 20%Hz at 230V | |
| | a) Value applying at rated voltage | |

★Standard Output Measurement Setup

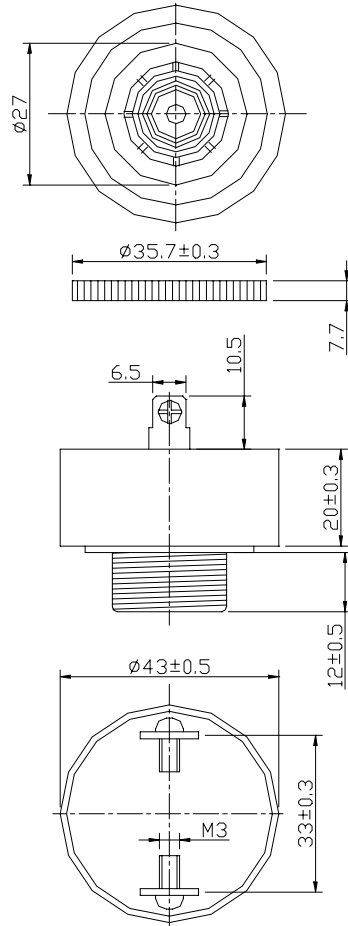


This print and information there in are propriety to Bestar Electronics Industry Co., Ltd. and shall not be used in whole or in part without its written content

| | | | | | |
|---|-----|------|--|----------------------|-------------------------|
| DIS. | 王善梅 | DATE | | Page:1 of 3 | BPT-380XAP230VAC |
| CHEC. | | DATE | | 3rd angle projection | Piezo Buzzer |
| APPR. | | DATE | | | |
| BESTAR ELECTRONICS INDUSTRY CO.,LTD TianAn Industry Park 4/F,Site B ChangZhou New District E-Mail:bestarco@ pub.cz.jsinfo.net Http:www.be-star.com | | | | | DRG NO BS/TEP01.168A |

BPT-380XAP230VAC(BPT-380XA230)

2. Dimension



This print and information there in are proprietary to Bestar Electronics Industry Co., Ltd. and shall not be used in whole or in part without its written content

| | | | | | |
|---|-----|------|--|-------------------------------------|-------------------------|
| DIS. | 王善梅 | DATE | | Page:2 of 3 3rd angle projection | BPT-380XAP230VAC |
| CHEC. | | DATE | | | |
| APPR. | | DATE | | | Piezo Buzzer |
|  BESTAR ELECTRONICS INDUSTRY CO.,LTD TianAn Industry Park 4/F,Site B ChangZhou New District E-Mail:bestarco@ pub.cz.jsinfo.net Http:www.be-star.com | | | | | DRG NO BS/TEP01.168A |

BPT-380XAP230VAC(BPT-380XA230)

3. Reliability test

3.1 high temperature test

Temperature +70° C
Duration 96hrs

3.2 low temperature test

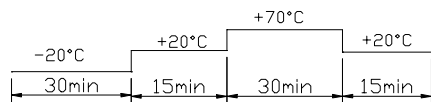
Temperature -30° C
Duration 96hrs

3.3 life test in normal temperature

Power supply 230V
Duration 500hrs

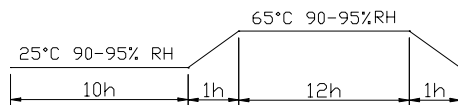
3.4 temperature cycle test

Cycles 5



3.5 Humidity cycle test

Cycles 5



all these tests above should be measured after leaving normal temperature for 2hrs.

3.6 Drop test

Height 70cm
(to 10mm thickness woodenboard)
Direction 3

Notice: All specification must be satisfied in this condition.

4.Packing

4.1 Packing Quantity :1pcs per small box
250pcs per carton
carton size 49x25x30cm,

This print and information there in are proprietary to Bestar Electronics Industry Co., Ltd. and shall not be used in whole or in part without its written content

| | | | | | |
|---|-----|------|--|--|-------------------------|
| DIS. | 王善梅 | DATE | | Page:3 of 3 3rd angle projection | BPT-380XAP230VAC |
| CHEC. | | DATE | | | |
| APPR. | | DATE | | | Piezo Buzzer |
|  BESTAR ELECTRONICS INDUSTRY CO.,LTD TianAn Industry Park 4/F,Site B ChangZhou New District E-Mail:bestarco@ pub.cz.jsinfo.net Http:www.be-star.com | | | | | DRG NO BS/TEP01.168A |