



HESTORE.HU

elektronikai alkatrész áruház

EN: This Datasheet is presented by the manufacturer.

Please visit our website for pricing and availability at www.hestore.hu.

PIEZO BUZZER

Customer	
Customer P/O	
Bestar Model Name	BPT-380X-SA230
Product No.	041012
Issue No.	BS/TEP01.198A
Issue Date	03/06/20

Approval:

- 1.Characteristic
- 2.Drawing
- 3.Reliability Test
- 4.Packing



BESTAR ELECTRONICS INDUSTRY CO.,LTD
TianAn Industry Park4/F,Site B ChangZhou New District
Tel:86-519-5103228
Fax:86-519-5131010
E-Mail:wu@be-star.com
Http:www.be-star.com

BPT-380X-SA230

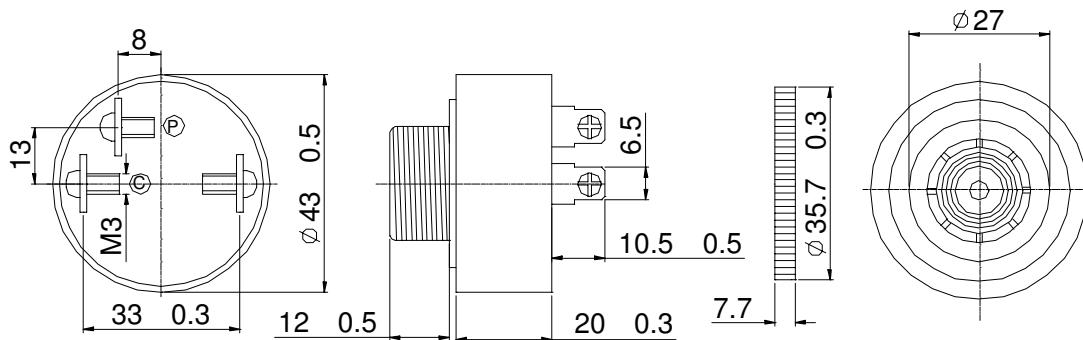
1. Characteristic

Electrical and Mechanical Characteristics



No.	Item	Specifications
1.	a)Rated Voltage	230V
2.	Operating Voltage	130-240V
3.	Operating Current (max)	25 mA
4.	a)Sound Output at 30cm	90dB
5.	a)Resonant Frequency	2900± 500 Hz
6.	Tone	Continuous+Fast Pulse
7.	Operating Temperature	-20...+60° C
8.	Storage Temperature	-30...+70° C
a)Value applying at rated voltage		

2. Drawing



DIS.	DATE	Page:1 of 2	BPT-380X-SA230
CHEC.	DATE	3rd angle projection	
APPR.	DATE		Piezo Buzzer
 BESTAR ELECTRONICS INDUSTRY CO.,LTD TianAn Industry Park 4/F,Site B ChangZhou New District E-Mail:bestarco@ pub.cz.jsinfo.net Http:www.be-star.com			DRG NO BS/TEP01.198A

This print and information therein are proprietary to Bestar Electronics Industry Co., Ltd. and shall not be used in whole or in part without its written content 041012

This print and information therein are proprietary to Bestar Electronics Industry Co., Ltd. and shall not be used in whole or in part without its written content 041012

BPT-380X-SA230

3. Reliability test

3.1 High temperature test

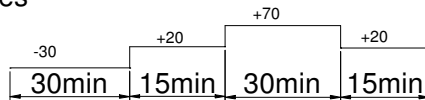
Temperature +70
Duration 96hrs

3.2 Low temperature test

Temperature -30
Duration 96hrs

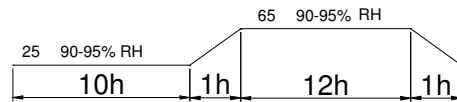
3.3 Temperature cycle test

Cycles 5



3.4 Humidity cycle test

Cycles 5



all these tests above should be measured after leaving normal temperature for 2hrs.


3.5 Drop test

Height 70cm
(to 10mm thickness woodenboard)
Direction 3

Notice: All specification must be satisfied in this condition.

4.Packing

4.1 Packing Quantity :1pcs per small box
250pcs per carton
carton size 49x25x30cm,

DIS.		DATE		Page:2 of 2	BPT-380X-SA230
CHEC.		DATE		3rd angle projection	
APPR.		DATE			Piezo Buzzer
 BESTAR ELECTRONICS INDUSTRY CO.,LTD TianAn Industry Park 4/F,Site B ChangZhou New District E-Mail:bestarco@ pub.cz.jsinfo.net Http:www.be-star.com					DRG NO BS/TEP01.198A