



HESTORE.HU

elektronikai alkatrész áruház

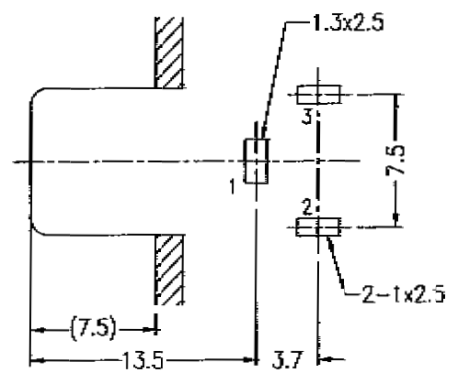
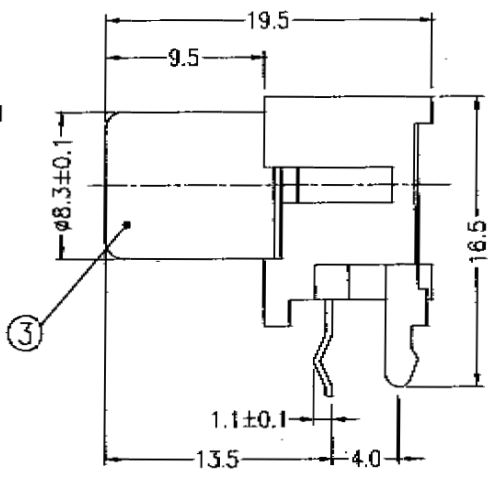
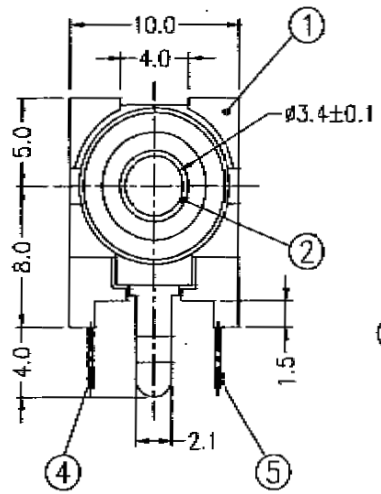
EN: This Datasheet is presented by the manufacturer.

Please visit our website for pricing and availability at www.hestore.hu.

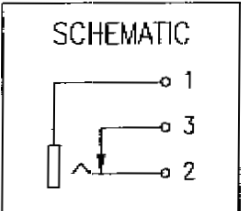
CUSTOMER BD003 FILE NO. D03-020

THIS DRAWING AND SPECIFICATIONS HEREIN ARE THE CONFIDENTIAL PROPERTY OF SANYO AND SHALL NOT BE REPRODUCED OR COPIED OR DISCLOSED IN WHOLE OR IN PART WITHOUT WRITTEN PERMISSION.

REV.	DESCRIPTION	DRAWN / DATE	APPROVED / DATE
0	INITIAL RELEASE	YANG 03/29/2011	FROS 03/29/2011



P.C.B LAYOUT DIMENSION
 (RECOMMEND MIN. DIMENSION)
 (BOTTOM VIEW)
 (TOLERANCE: ±0.1)



5	SHUNT SPRING	t=0.4, C2680, GOLD PLATED	1	
4	TIP SPRING	t=0.3, C5210, GOLD PLATED	1	
3	OUTER CONTACT	t=0.4, C2680, NICKEL PLATED	1	
2	WASHER	POM	1	
1	HOUSING	PBT+GF, BLACK	1	
NO.	PART NAME	DESCRIPTION	QTY	REMARK

DIMENSIONS ARE IN (INCH)	TOLERANCES ARE (DECIMALS ANGLES)	MATERIAL
MOLD NO.	±0.3 [0.012]	FINISH
D03-020		COLOR

3P R/A RCA JACK,
 BLACK COLOR

P/N	085068	DRAWN	YANG	DATE	03/29/2011
PROJECT NO.					
SCALE	2.5:1	SIZE	A4	SHEET	1 OF 1
					MH004