



HESTORE.HU

elektronikai alkatrész áruház

EN: This Datasheet is presented by the manufacturer.

Please visit our website for pricing and availability at www.hestore.hu.

Technical data sheet A 11



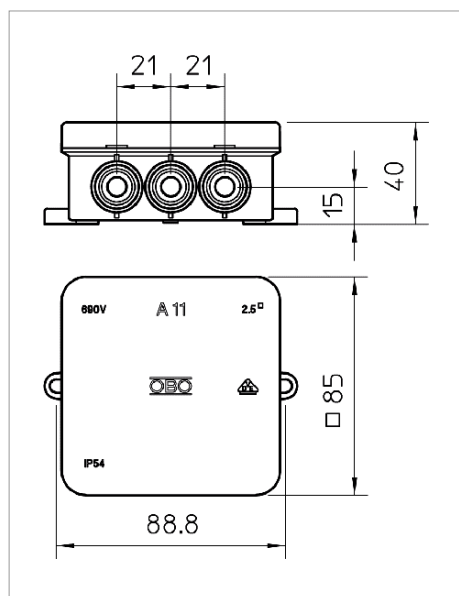
Protection rating IP54, nominal voltage 660 V, nominal cross section 2.5 ÷ mm², 12 entries for cable diameter 8–14 mm.

Clamshell.

Dimension: 85 x 85 x 40 mm.

Clear internal dimensions: 75 x 75 x 35 mm.

Two penetration pins for every 10 sockets.



Type	Accessories	Colour	Box quantity	Pack. pcs	Weight kg/100 pcs.	Art.-No.
A 11 5	1 terminal strip	Light grey; RAL 7035	80	10	7.640	2000326
A 11	Without terminal strip	Light grey; RAL 7035	80	10	6.200	2000342
A11 HF RW	Without terminal strip	Pure white; RAL 9010	80	10	6.200	2000180
A11 HF RO	Without terminal strip	Red	80	10	6.200	2000164

PE Polyethylene

E /100 pc.

