

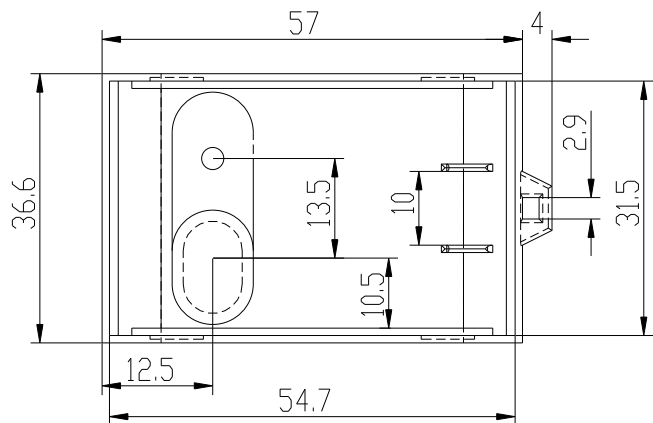


**HESTORE.HU**

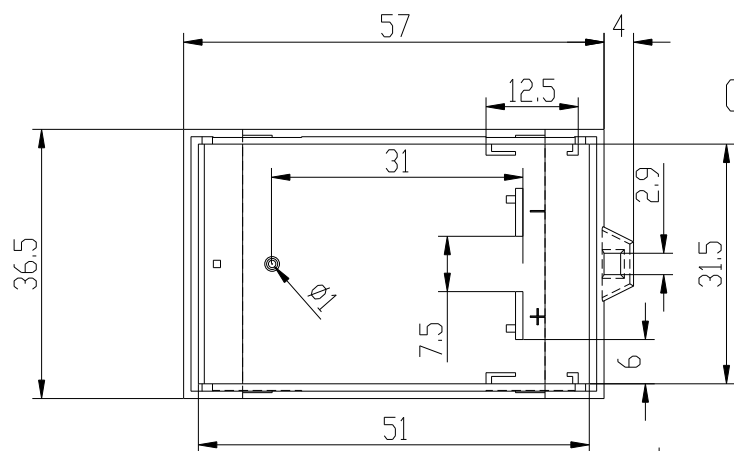
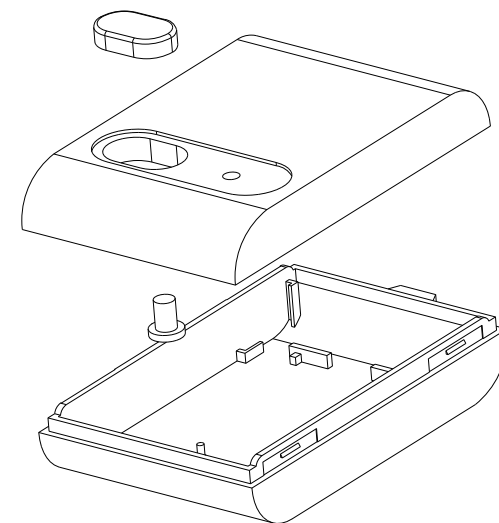
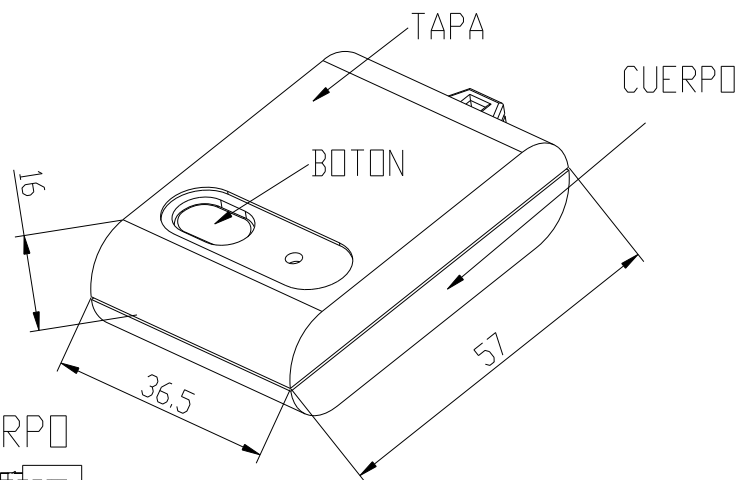
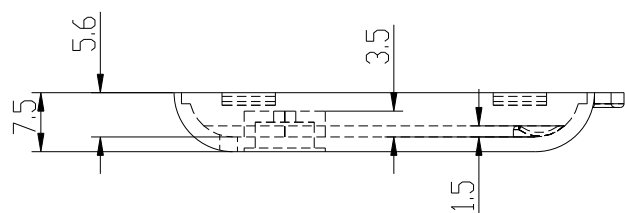
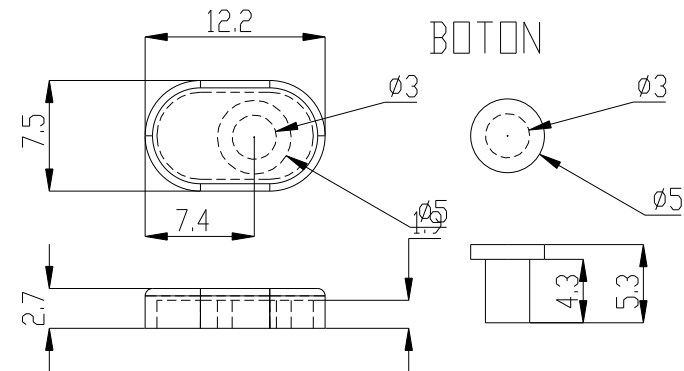
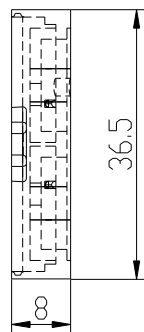
elektronikai alkatrész áruház

**EN:** This Datasheet is presented by the manufacturer.

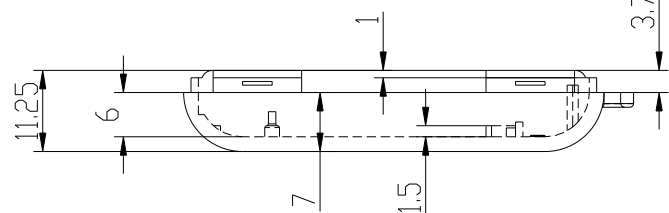
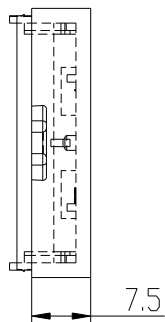
Please visit our website for pricing and availability at [www.hestore.hu](http://www.hestore.hu).






TAPA



CUERPO



 <b>SUPERTRONIC, S.A.</b>		Proprietary and confidential of Supertronic		
Plano		Formato DIN A4		
Dibujado	D.R.	Fecha 2007	Peso (gr) 12.5	Dimensiones 56x36x16
Revisado	J.R.	Fecha 2008	Escala 1/1	Material ABS
		Código	Dimensions are in millimeters Tolerance ±0.2mm	
Referencia cliente		Modelo <b>PP65</b>		