



HESTORE.HU

elektronikai alkatrész áruház

EN: This Datasheet is presented by the manufacturer.

Please visit our website for pricing and availability at www.hestore.hu.



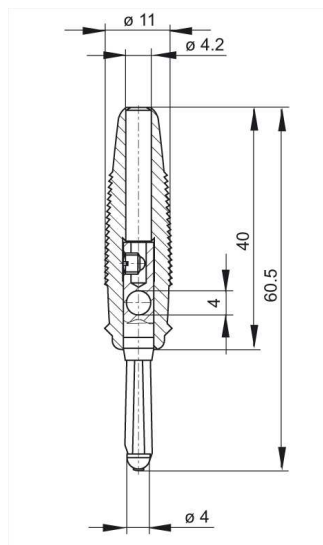
BUELA 20 K blau/blue

Industrial Connectors:Measuring and Testing Equipment:Plugs:4 mm system

Product description

Description	Multiple-spring wire plug, shatter-proof, flexible insulating sleeve with transverse hole. The tapering sleeve end also serves as kinking protection for the lead. Screw connection up to maximum cable cross-section of 1.5 mm ² . Nickel-plated brass contact material.
Type	BUELA 20 K blau/blue
Order No.	930 726-102
System	4 mm System
Housing Color	blue
Other standard types	black color, order no. 930 726-100; red color, order no. 930 726-101; yellow color, order no. 930 726-103; green color, order no. 930 726-104

Drawing



Technical data

Pin dimensions	4 mm
Type of contact	pin (spring loaded)
Type of termination	screw
Rated voltage	DC 60 V
Rated current	16 A
Contact resistance	3 mOhm

Material

Contact material	brass
Contact surface material	nickel-plated

Housing material	PVC-P
Environmental conditions	
Temperature range	-25 °C to +70 °C
Inflammability class	
Housing	94 V-2