

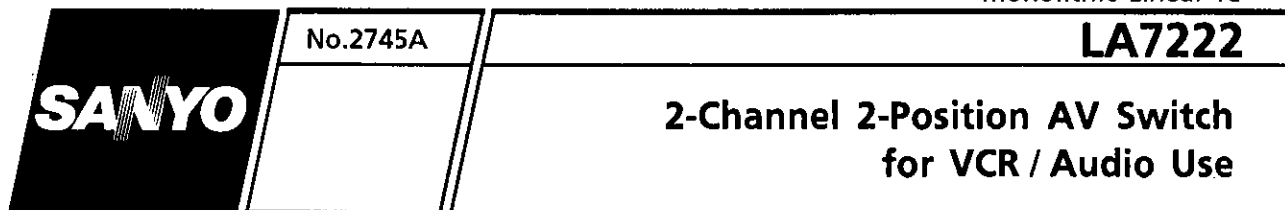


HESTORE.HU

elektronikai alkatrész áruház

EN: This Datasheet is presented by the manufacturer.

Please visit our website for pricing and availability at www.hestore.hu.

**Features**

- The LA7222 is a 2-channel 2-position high-performance analog switch having wide application from audio band to video band.

Maximum Ratings at Ta = 25°C

Maximum Supply Voltage	V _{CC} max		15	V
Allowable Power Dissipation	P _d max	Ta = 65°C	350	mW
Operating Temperature	T _{opr}		-20 to +65	°C
Storage Temperature	T _{stg}		-55 to +125	°C

Operating Conditions at Ta = 25°C

Recommended Supply Voltage	V _{CC}		12	V
Operating Voltage Range	V _{CC} op		8 to 13	V

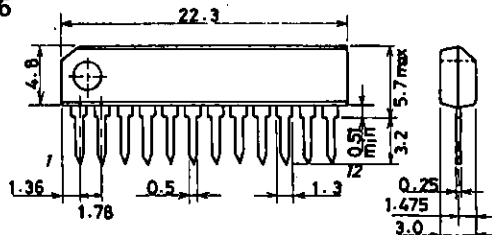
Operating Characteristics at Ta = 25°C, V_{CC} = 12V

			min	typ	max	unit
Current Dissipation	I _{CC}	No input	12	17	22	mA
Total Harmonic Distortion	THD	R _g = 600Ω, V _{IN} = 4.5V _{p-p} , f = 1kHz	0.007	0.1		%
Output Noise Voltage	V _{ON}	R _g = 600Ω, DIN AUDIO FILTER (20Hz to 20kHz)	-110	-100		dBs
Crosstalk (ch-1)	CR1	R _g = 50Ω (no input side R _g = 500Ω) V _{IN} = 2V _{p-p} , f = 3.58MHz	-57	-62		dB
Crosstalk (ch-2)	CR2	R _g = 50Ω (no input side R _g = 500Ω) V _{IN} = 2V _{p-p} , f = 3.58MHz	-52	-57		dB
Maximum Input Voltage	V _{IN}	R _g = 600Ω, f = 1kHz, THD = 1%	5.0			V _{p-p}
2nd Harmonic	H ₂	R _g = 50Ω, V _{IN} = 4V _{p-p} , f = 1MHz	-46	-55		dB
3rd Harmonic	H ₃	R _g = 50Ω, V _{IN} = 4V _{p-p} , f = 1MHz	-46	-55		dB
Input Impedance	z _{in}			10		kΩ
Output Impedance	z _o			30	60	Ω
Switch A Input Hold Voltage	V _{CA}	Pin 2, pin 4 DC	3.8		V _{CC}	V
Switch B Input Hold Voltage	V _{CB}	Pin 2, pin 4 DC	0		2.0	V
Output DC Offset Voltage	ΔV _{ODC}	Output voltage difference at the time of changeover from switch A to B, and vice versa	-50	0	+50	mV
Crosstalk between Channels	CRch	R _g = 500Ω, R _L = ∞ Other channel input R _g = 50Ω, V _{IN} = 2V _{p-p} , f = 3.58MHz	-58	-63		dB

Package Dimensions

(unit : mm)

3116



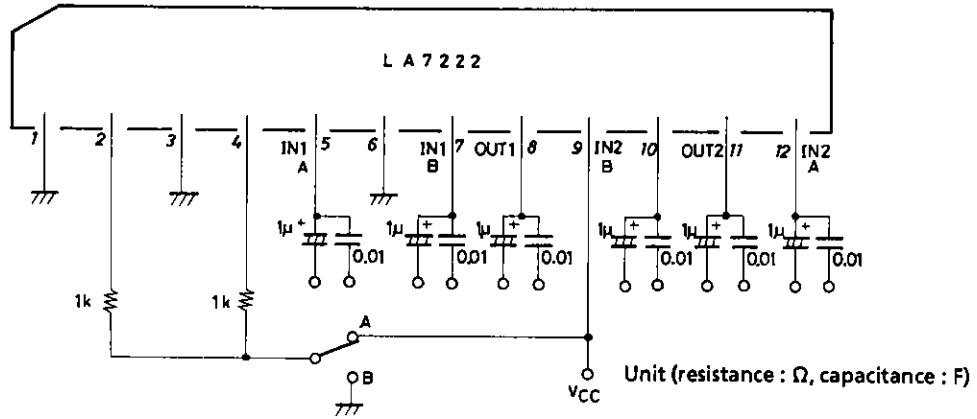
SANYO : SIP12S

SANYO Electric Co., Ltd. Semiconductor Business Headquarters

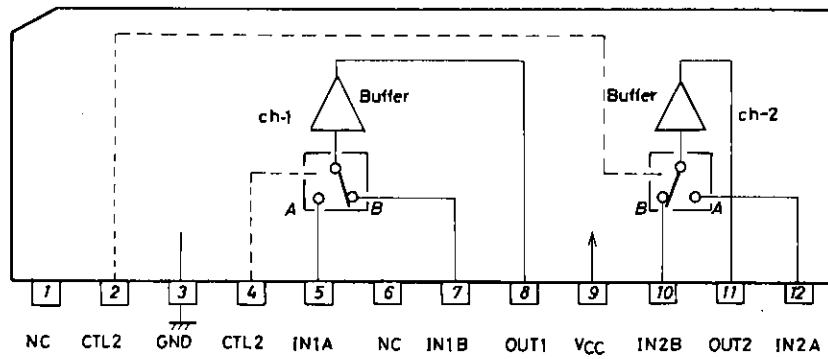
TOKYO OFFICE Tokyo Bldg., 1-10, 1 Chome, Ueno, Taito-ku, TOKYO, 110 JAPAN

LA7222

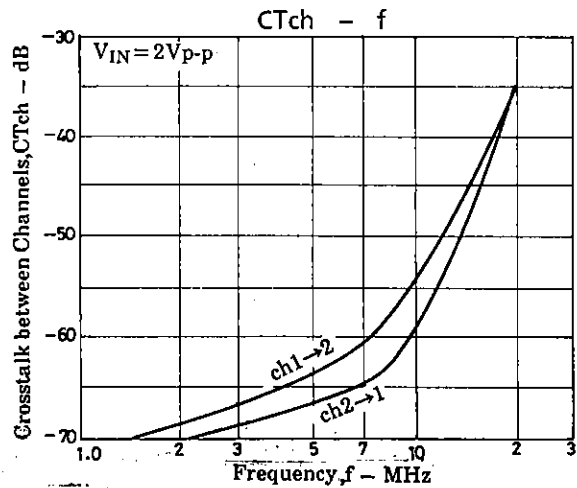
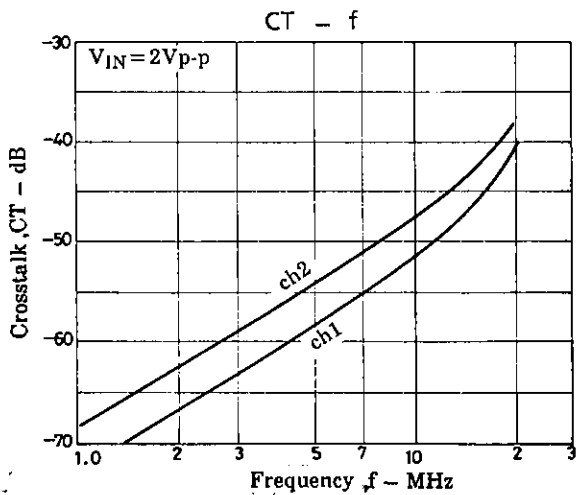
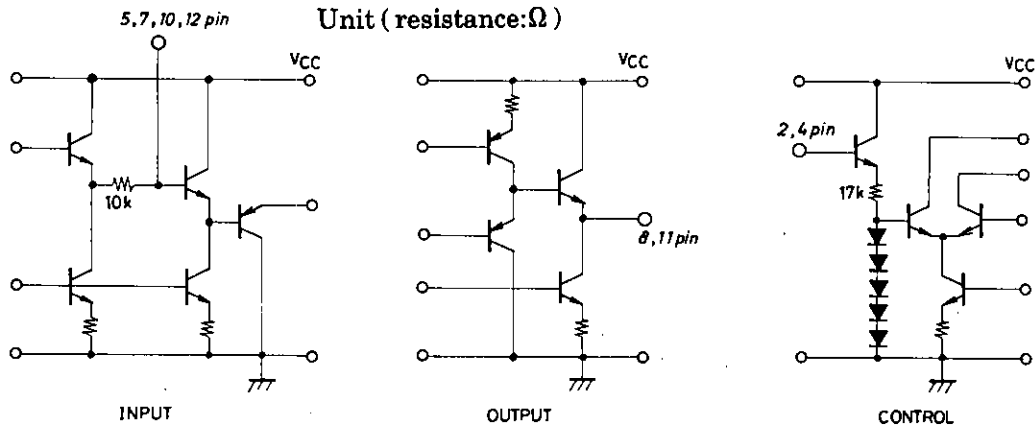
Test Circuit



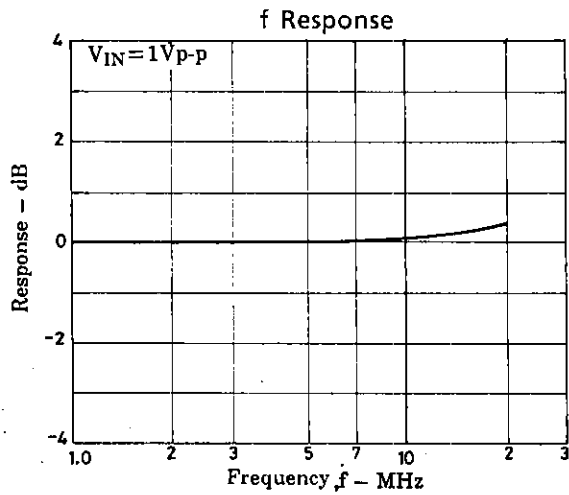
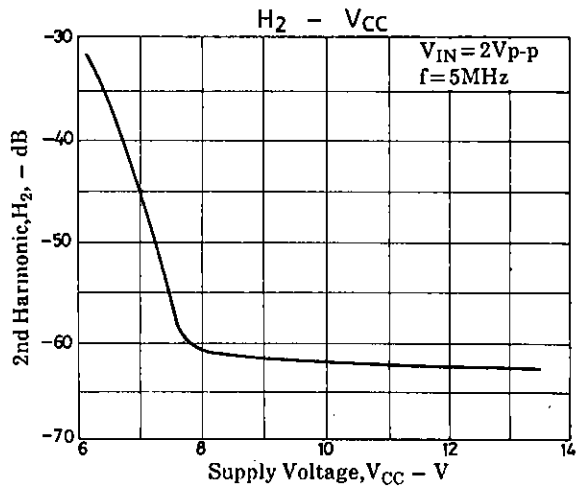
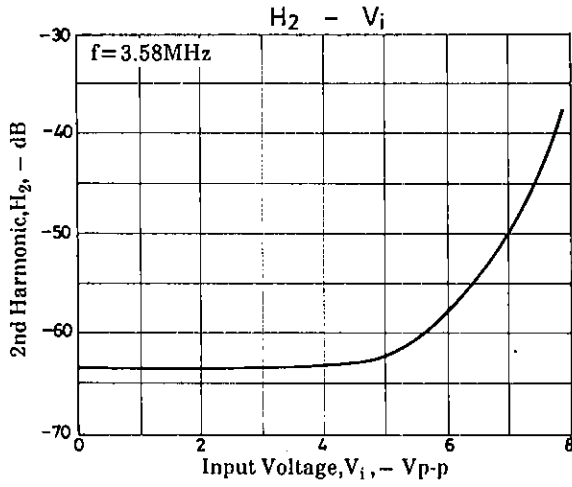
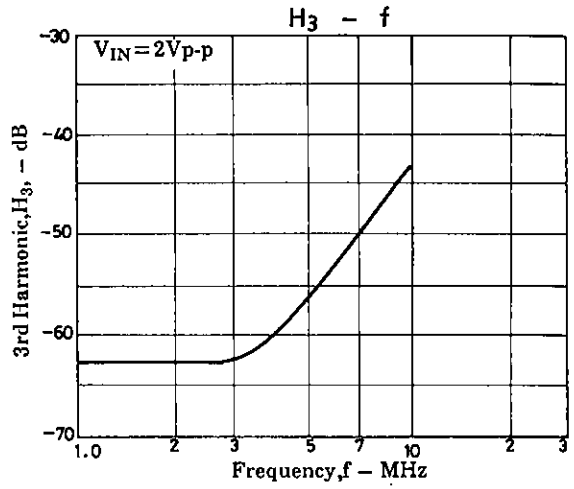
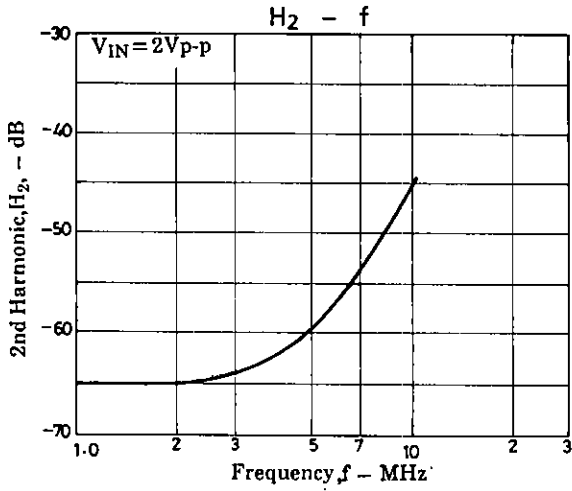
Equivalent Circuit Block Diagram



Input/Output Equivalent Circuit



LA7222



- No products described or contained herein are intended for use in surgical implants, life-support systems, aerospace equipment, nuclear power control systems, vehicles, disaster/crime-prevention equipment and the like, the failure of which may directly or indirectly cause injury, death or property loss.
- Anyone purchasing any products described or contained herein for an above-mentioned use shall:
 - ① Accept full responsibility and indemnify and defend SANYO ELECTRIC CO., LTD., its affiliates, subsidiaries and distributors and all their officers and employees, jointly and severally, against any and all claims and litigation and all damages, cost and expenses associated with such use;
 - ② Not impose any responsibility for any fault or negligence which may be cited in any such claim or litigation on SANYO ELECTRIC CO., LTD., its affiliates, subsidiaries and distributors or any of their officers and employees jointly or severally.
- Information (including circuit diagrams and circuit parameters) herein is for example only; it is not guaranteed for volume production. SANYO believes information herein is accurate and reliable, but no guarantees are made or implied regarding its use or any infringements of intellectual property rights or other rights of third parties.

This catalog provides information as of **December, 1996**. Specifications and information herein are subject to change without notice.