



**HESTORE.HU**

elektronikai alkatrész áruház

**EN:** This Datasheet is presented by the manufacturer.

Please visit our website for pricing and availability at [www.hestore.hu](http://www.hestore.hu).



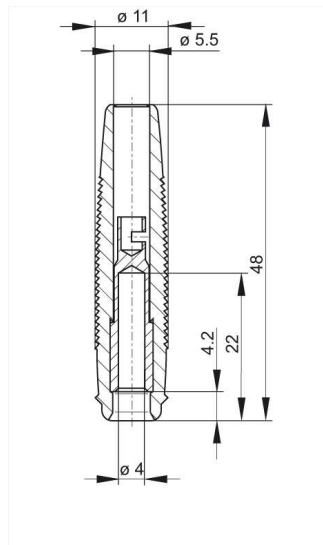
## KUN 30 schwarz/black

Industrial Connectors:Measuring and Testing Equipment:Socket:4 mm system

### Product description

Description	Shatter-proof, flexible, insulated coupling for a 4 mm diameter plug and solder connection up to a cable cross-section of 2.5 mm <sup>2</sup> . Tin-plated brass socket.
Type	KUN 30 schwarz/black
Order No.	931 804-100
System	4 mm system
Housing Color	black
Other standard types	red color, order no. 931 804-101; blue color, order no. 931 804-102; yellow color, order no. 931 804-103; green color, order no. 931 804-104

### Drawing



### Technical data

Type of contact	socket
Type of termination	soldered
Rated voltage	DC 60 V
Rated current	16 A
Contact resistance	3 mOhm

### Material

Contact material	brass
Contact surface material	tin-plated
Housing material	PVC-P

### Environmental conditions

Temperature range	-25 °C to +70 °C
-------------------	------------------

### Inflammability class

