



HESTORE.HU

elektronikai alkatrész áruház

EN: This Datasheet is presented by the manufacturer.

Please visit our website for pricing and availability at www.hestore.hu.

IEC Inlet Filters

F.BP-F.BQ-F.CP-F.CQ series

With fuse holders

A range of chassis mount IEC 60320 inlet power entry modules which combine single or twin fuse holders and a high level of suppression, within a compact and lightweight enclosure.

Cost effective solution for business, consumer, medical equipment, VDUs, computers, vending machines and many other general purpose applications.

- Snap-in or screw fit
- Current ratings from 1A to 10A
- Integral single or twin fuse holder
- Compact, lightweight design
- Medical versions available



Mechanical Specifications

Manufacture: metal case with built-in power line connector according to IEC 60320 & EN 60320 and fuse holder for 1 (F.-P) or 2 (F.-Q) fuses 5 x 20mm (IEC).

Connections: IEC 60320 - Standard plug (INPUT); faston 2x2.8 x 0.5 mm or 6.3 x 0.8 mm (OUTPUT); ground terminal connected to case.

Mounting: F.B- screw mounting, F.C- Snap-in mounting.

Electrical Specifications

Rated voltage (V_R): max 250 V, 50/60 Hz

Rated current (I_R): referred to room temperature = 40°C

Leakage current (I_L): at 220 V, 50 Hz, max value

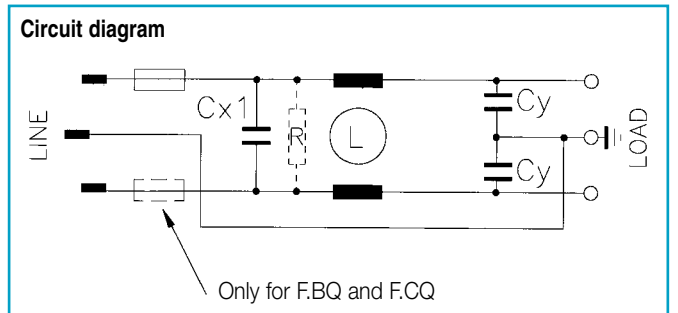
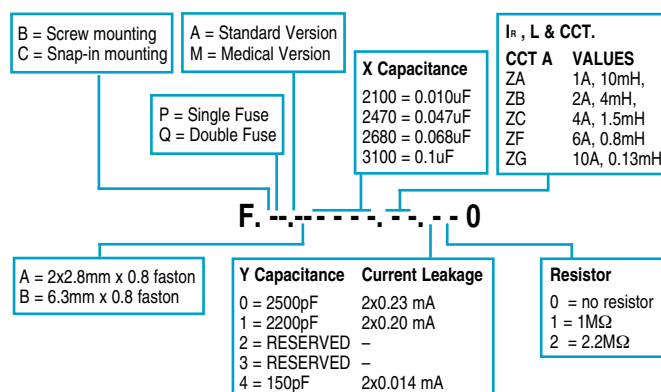
Voltage test (2_s): line to ground 3000 Vdc or 1800 Vac
line to line 1700 Vdc

Climatic category: HPF (25/085/21):
Temperature range: -25°C to +85°C

Filter Range

Code	I_R (A)	L (mH)	Cx1 (μ F)	Cy (pF)	I_L (mA)
F.--AB.2680.ZA.100	1	2x10	0.068	2x2200	2x0.2
F.--AB.2680.ZB.100	2	2x4	0.068	2x2200	2x0.2
F.--AB.2680.ZC.100	4	2x1.5	0.068	2x2200	2x0.2
F.--AB.2680.ZF.100	6	2x0.8	0.068	2x2200	2x0.2
F.--AB.2680.ZG.100	10	2x0.13	0.068	2x2200	2x0.2

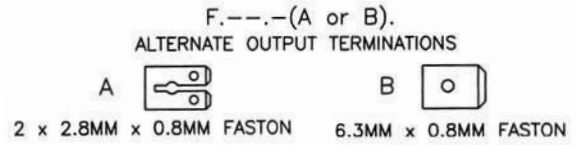
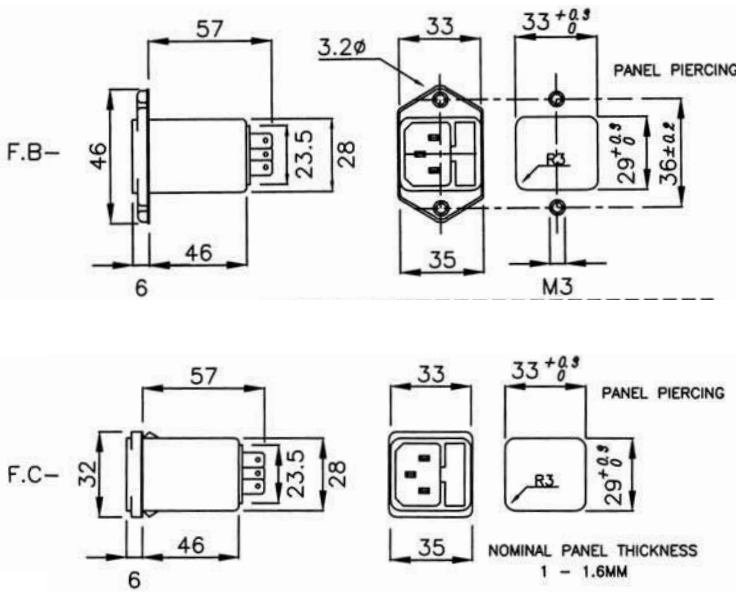
Available Variants



Approvals



Dimensions (mm) and connections



Insertion loss (typical): — Asymmetrical (line to ground) - - - Symmetrical (line to line)

