



**HESTORE.HU**

elektronikai alkatrész áruház

**EN:** This Datasheet is presented by the manufacturer.

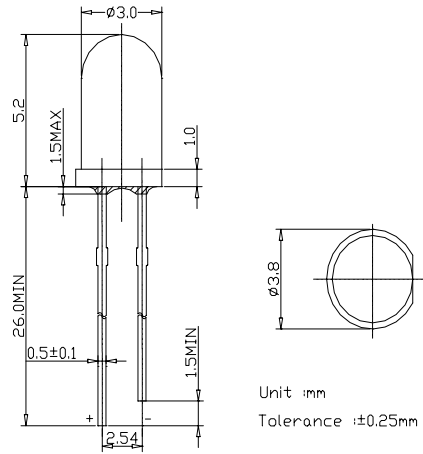
Please visit our website for pricing and availability at [www.hestore.hu](http://www.hestore.hu).

**■Features**

- High Power LEDs
- 3ø Standard Directivity
- Superior Weather-resistance
- UV Resistant Epoxy
- Water Clear Type

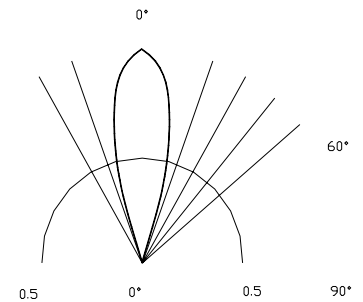
**■Applications**

- General Purpose Indicators
- Small Area Illuminations
- Back Lighting

**■Outline Dimension**

**■Absolute Maximum Rating**

(Ta=25 V)

|                        |                 | <b>alue</b> | <b>U n i t</b> |
|------------------------|-----------------|-------------|----------------|
| DC Forward Current     | I <sub>F</sub>  | 30          | mA             |
| Pulse Forward Current* | I <sub>FP</sub> | 100         | mA             |
| Reverse Voltage        | V <sub>R</sub>  | 5           | V              |
| Power Dissipation      | P <sub>D</sub>  | 120         | mW             |
| Operating Temperature  | Topr            | -30 ~ +80   |                |


**■Electrical -Optical Characteristics**

(Ta=25