



**HESTORE.HU**

elektronikai alkatrész áruház

**EN:** This Datasheet is presented by the manufacturer.

Please visit our website for pricing and availability at [www.hestore.hu](http://www.hestore.hu).

## Microcontroller Supervisory Circuit with Push-Pull Output

### Features

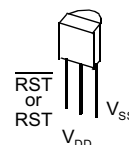
- Holds microcontroller in reset until supply voltage reaches stable operating level
- Resets microcontroller during power loss
- Precision monitoring of 3V, 3.3V and 5V systems
- 7 voltage trip points available
- Active low  $\overline{\text{RESET}}$  pin (MCP100) or active high RESET (MCP101)
- Push-pull output
- Holds  $\overline{\text{RESET}}$ /RESET for 350 ms (typical)
- $\overline{\text{RESET}}$ /RESET to  $V_{DD} = 1.0V$
- Accuracy of  $\pm 125$  mV for 5V systems and  $\pm 75$  mV for 3V systems over temperature
- 45  $\mu A$  typical operating current
- Temperature range:
  - Industrial (I):  $-40^{\circ}C$  to  $+85^{\circ}C$

### Description

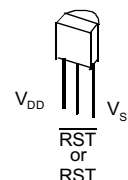
The Microchip Technology Inc. MCP100/101 is a voltage supervisory device designed to keep a microcontroller in reset until the system voltage has reached the proper level and stabilized. It also operates as protection from brown-out conditions when the supply voltage drops below a safe operating level. Both devices are available with a choice of seven different trip voltages and both have push-pull outputs. The MCP100 has a low active  $\overline{\text{RESET}}$  pin and the MCP101 has a high active RESET pin. The MCP100/101 will assert the  $\overline{\text{RESET}}$ /RESET signal whenever the voltage on the  $V_{DD}$  pin is below the trip-point voltage.

### Packages

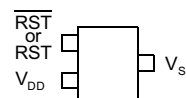
#### TO-92 with 'D' Bondout



#### TO-92 with 'H' Bondout

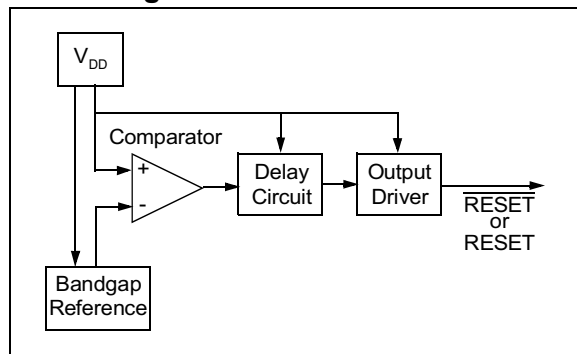


#### SOT-23-3



ILLUSTRATIONS NOT TO SCALE

### Block Diagram



# MCP100/101

## 1.0 ELECTRICAL CHARACTERISTICS

### 1.1 Maximum Ratings\*

|  |                          |
|--|--------------------------|
| $V_{DD}$ .....                               | 7.0V                     |
| All inputs and outputs w.r.t. $V_{SS}$ ..... | -0.6V to $V_{DD} + 1.0V$ |
| Storage temperature .....                    | -65°C to +150°C          |
| Ambient temp. with power applied .....       | -65°C to +125°C          |
| ESD protection on all pins .....             | ≥ 2 kV                   |

**\*Notice:** Stresses above those listed under “Maximum Ratings” may cause permanent damage to the device. This is a stress rating only and functional operation of the device at those or any other conditions above those indicated in the operational listings of this specification is not implied. Exposure to maximum rating conditions for extended periods may affect device reliability.

## DC AND AC CHARACTERISTICS

| All parameters apply at the specified temp and voltage ranges unless otherwise noted. |  | $V_{DD} = 1.0 - 5.5V$<br>Industrial (I): -40°C to +85°C |              |       |      |       |  |
|---|--|---|--------------|-------|------|-------|--|
| Parameter   |  | Symbol  | Min.         | Typ.  | Max. | Units | Test Conditions  |
| Operating Voltage Range   |  | $V_{DD}$  | 1.0          | —     | 5.5  | V     |  |
| $V_{DD}$ Value to $\overline{\text{RESET}}/\text{RESET}$                              |  | $V_{DDMIN}$   | 1.0          | —     | —    | V     |  |
| Operating Current   |  | $I_{DD}$  | —            | 45    | 60   | μA    | $V_{DD} = 5.5V$ (no load)  |
| $V_{DD}$ Trip Point   | MCP10X-270   | $V_{TRIP}$  | 2.55         | 2.625 | 2.7  | V     |  |
|   | MCP10X-300   |   | 2.85         | 2.925 | 3.0  |       |  |
|   | MCP10X-315   |   | 3.0          | 3.075 | 3.15 |       |  |
|   | MCP10X-450   |   | 4.25         | 4.375 | 4.50 |       |  |
|   | MCP10X-460   |   | 4.35         | 4.475 | 4.60 |       |  |
|   | MCP10X-475   |   | 4.50         | 4.625 | 4.75 |       |  |
|   | MCP10X-485   |   | 4.60         | 4.725 | 4.85 |       |  |
| RESE $\overline{T}$ Low Level Output Voltage (MCP100)                                 | MCP100-270<br>MCP100-300<br>MCP100-315               | $V_{OL}$  | —            | —     | 0.4  | V     | $I_{OL} = 3.2 \text{ mA}$ ,<br>$V_{DD} = V_{TRIPMIN}$  |
|   | MCP100-450<br>MCP100-460<br>MCP100-475<br>MCP100-485 |   | —            | —     | 0.6  |       |  |
| RESE $\overline{T}$ High Level Output Voltage (MCP100)                                | MCP100-XXX<br>(All $V_{TRIP}$ Points)                | $V_{OH}$  | $V_{DD}-0.7$ | —     | —    | V     | $I_{OH} = 3 \text{ mA}$ ,<br>$V_{DD} > V_{TRIPMAX}$  |
| RESE $\overline{T}$ Low Level Output Voltage (MCP101)                                 | MCP101-270<br>MCP101-300<br>MCP101-315               | $V_{OL}$  | —            | —     | 0.4  | V     | $I_{OL} = 3.2 \text{ mA}$ ,<br>$V_{DD} > V_{TRIPMAX}$  |
|   | MCP101-450<br>MCP101-460<br>MCP101-475<br>MCP101-485 |   | —            | —     | 0.6  |       |  |
| RESE $\overline{T}$ High level Output Voltage (MCP101)                                | MCP101-XXX<br>(All $V_{TRIP}$ Points)                | $V_{OH}$  | $V_{DD}-0.7$ | —     | —    | V     | $I_{OH} = 3 \text{ mA}$ ,<br>$V_{DD} = V_{TRIPMIN}$  |
| Threshold Hysteresis  |  | $V_{HYS}$   | —            | 50    | —    | mV    |  |
| $V_{DD}$ Detect to $\overline{\text{RESET}}/\text{RESET}$ Inactive                    |  | $t_{RPU}$   | 150          | 350   | 700  | ms    |  |
| $V_{DD}$ Detect to $\overline{\text{RESET}}/\text{RESET}$                             |  | $t_{RPD}$   | —            | 10    | —    | μs    | $V_{DD}$ ramped from<br>$V_{TRIPMAX} + 250 \text{ mV}$ down to<br>$V_{TRIPMIN} - 250 \text{ mV}$ |

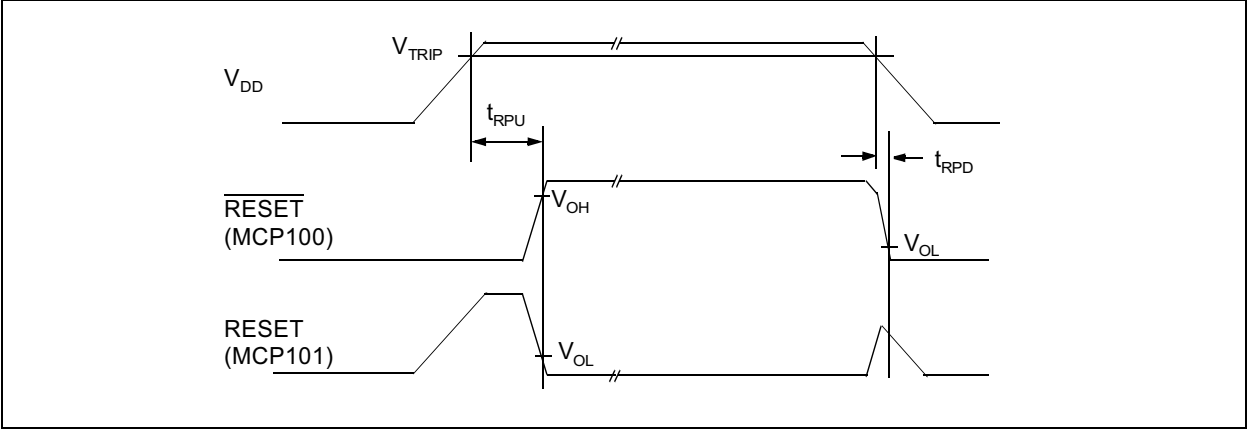


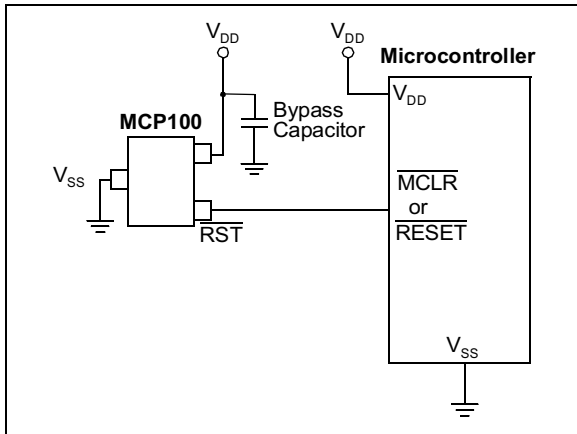
Figure 1-1: MCP100/101 Timing Diagram

# MCP100/101

## 2.0 APPLICATIONS INFORMATION

### 2.1 The Need for Supervisory Circuits

For many of today's microcontroller applications, care must be taken to prevent low power conditions that can cause many different system problems. The most common causes are brown-out conditions where the system supply drops below the operating level momentarily, and the second, is when a slowly decaying power supply causes the microcontroller to begin executing instructions without enough voltage to sustain SRAM and producing indeterminate results.

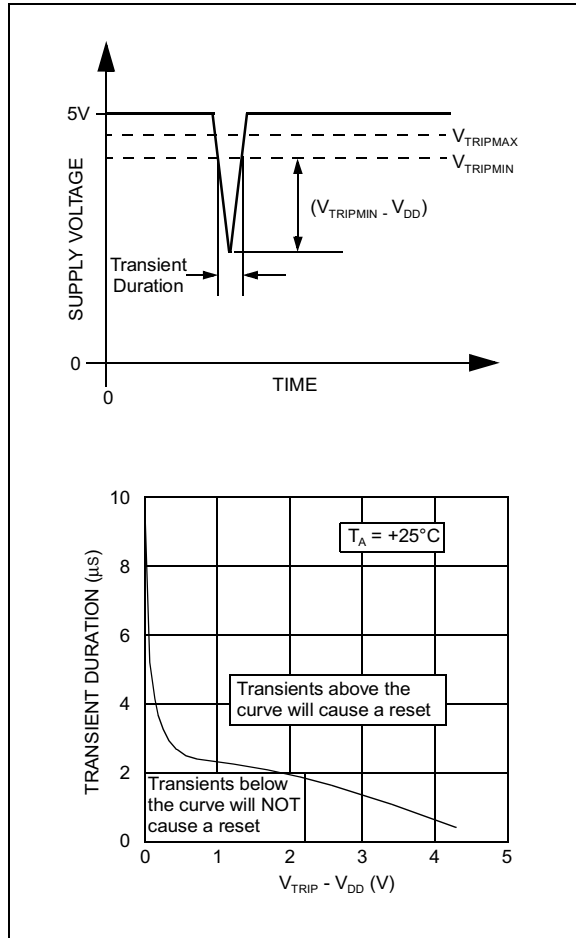


**Figure 2-1:** Typical Application

**Note:** The graphs and tables provided following this note are a statistical summary based on a limited number of samples and are provided for informational purposes only. The performance characteristics listed herein are not tested or guaranteed. In some graphs or tables, the data presented may be outside the specified operating range (e.g., outside specified power supply range) and therefore outside the warranted range.

### 2.2 Negative Going $V_{DD}$ Transients

Many system designers implementing POR circuits are concerned about the minimum pulse width required to cause a reset. Figure 2-2 shows typical transient duration vs. reset comparator overdrive for which the MCP100/101 will not generate a reset pulse. It shows that the farther below the trip point the transient pulse goes, the duration of the pulse required to cause a reset gets shorter. A 0.1  $\mu\text{F}$  bypass cap mounted as close as possible to the  $V_{DD}$  pin provides additional transient immunity.



**Figure 2-2:** Typical Transient Response

## 2.3 Effect of Temperature on Timeout Period (t<sub>RPU</sub>)

The timeout period ( $t_{RPU}$ ) determines how long the device remains in the reset condition. This is controlled by an internal RC timer and is effected by both  $V_{DD}$  and temperature. The graph shown in Figure 2-3 shows typical response for different  $V_{DD}$  values and temperatures.

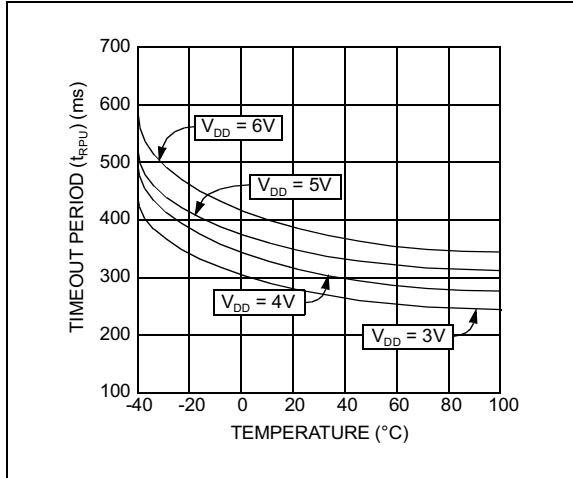


Figure 2-3: Typical  $t_{RPU}$  vs. Temperature

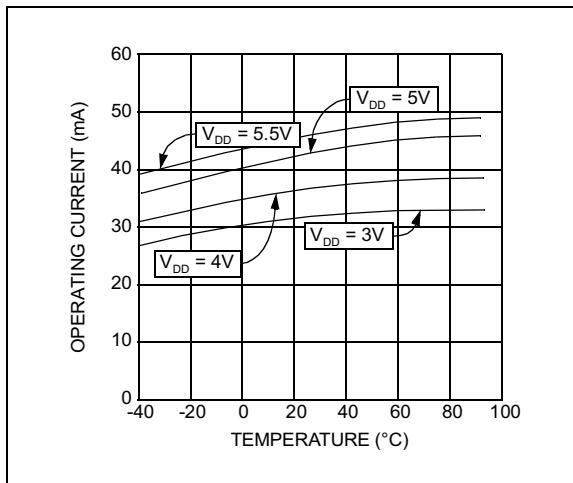


Figure 2-4:  $I_{DD}$  vs. Temperature

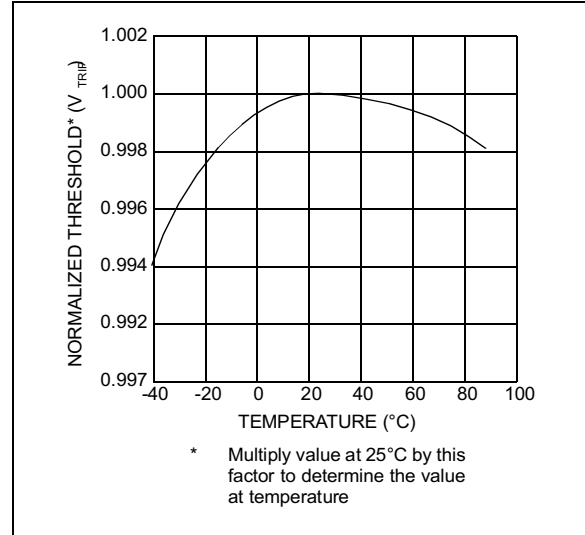


Figure 2-5: Normalized  $V_{TRIP}$  vs. Temperature

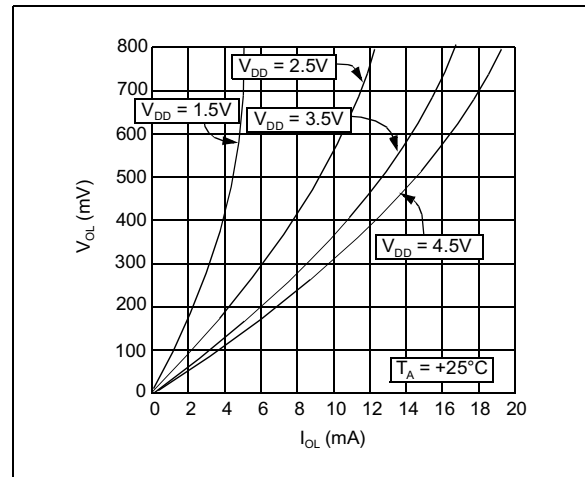
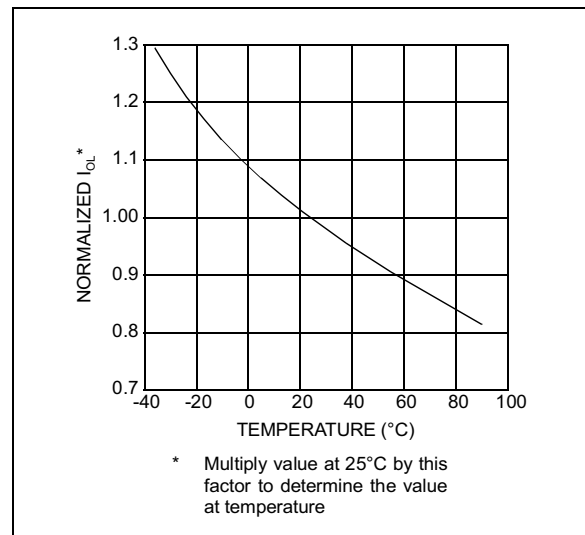
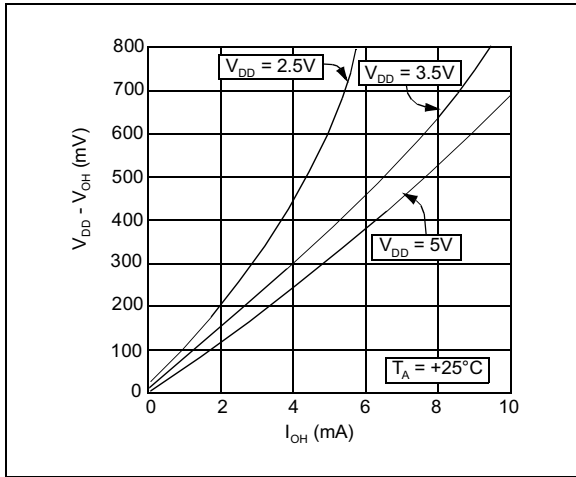


Figure 2-6:  $V_{OL}$  vs.  $I_{OL}$

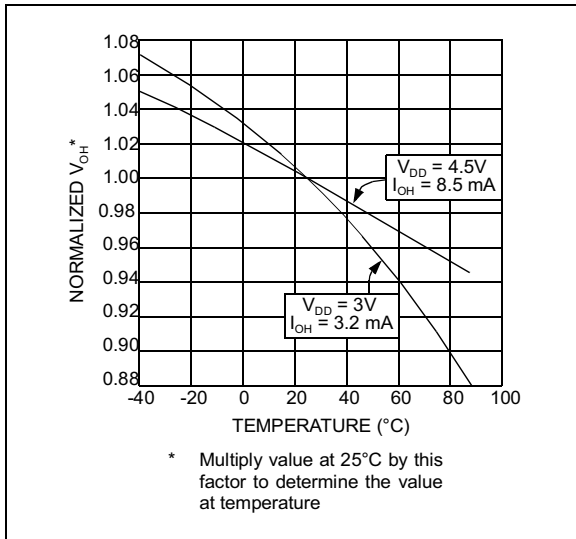


# MCP100/101

**Figure 2-7:** Normalized  $I_{OL}$  vs. Temperature



**Figure 2-8:**  $V_{DD} - V_{OH}$  vs.  $I_{OH}$



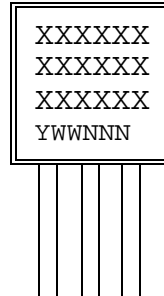
**Figure 2-9:** Normalized  $V_{OH}$  vs. Temperature

## 3.0 PACKAGING INFORMATION

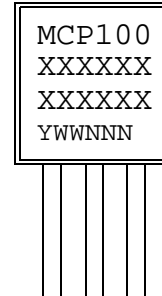
### 3.1 Package Marking Information

ILLUSTRATIONS NOT TO SCALE

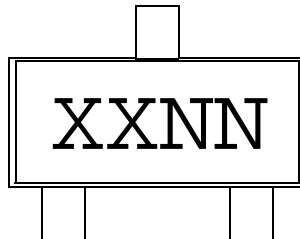
3-Lead Plastic Transistor Outline (TO-92)



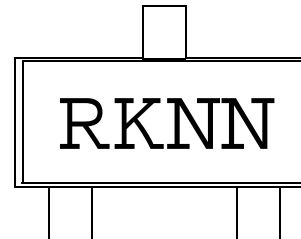
Example:



3-Lead Plastic Small Outline Transistor (SOT23)



Example:



#### SOT23 PARTS LABELING:

The table below identifies the first 2 characters (XX) in the 4-character field (XXNN) for marking of the 3-Lead SOT23 package.

| Mark | Part Number     | Mark | Part Number     |
|------|-----------------|------|-----------------|
| QJ   | MCP100T-270I/TT | RJ   | MCP101T-270I/TT |
| QK   | MCP100T-300I/TT | RK   | MCP101T-300I/TT |
| QL   | MCP100T-315I/TT | RL   | MCP101T-315I/TT |
| QM   | MCP100T-450I/TT | RM   | MCP101T-450I/TT |
| QN   | MCP100T-460I/TT | RN   | MCP101T-460I/TT |
| QO   | MCP100T-475I/TT | RO   | MCP101T-475I/TT |
| QP   | MCP100T-485I/TT | RP   | MCP101T-485I/TT |

|                |  |  |
|----------------|--|--|
| <b>Legend:</b> | XX...X   | Customer specific information*             |
|                | YY   | Year code (last 2 digits of calendar year) |
|                | WW   | Week code (week of January 1 is week '01') |
|                | NNN  | Alphanumeric traceability code             |
| <b>Note:</b>   | In the event the full Microchip part number cannot be marked on one line, it will be carried over to the next line thus limiting the number of available characters for customer specific information. |  |

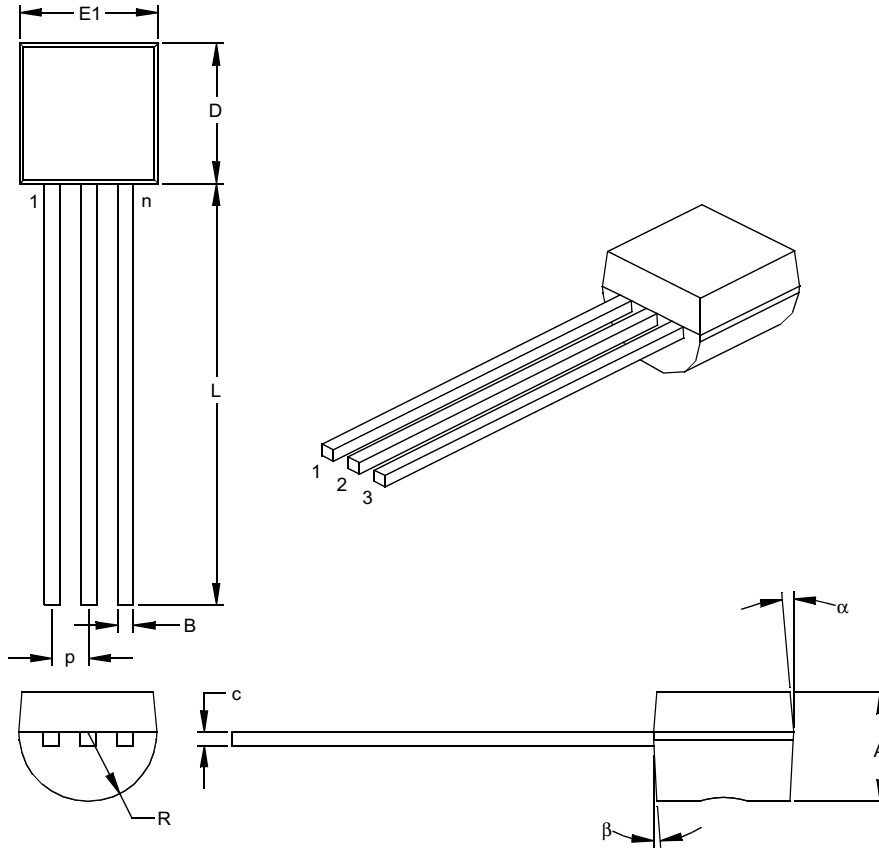
\* Standard OTP marking consists of Microchip part number, year code, week code, and traceability code.



# MCP100/101

## 3.2 Package Detail Information

### 3-Lead Plastic Transistor Outline (TO) (TO-92)



| Dimension Limits        | Units    | INCHES* |      |      | MILLIMETERS |       |       |
|-------------------------|----------|---------|------|------|-------------|-------|-------|
|                         |          | MIN     | NOM  | MAX  | MIN         | NOM   | MAX   |
| Number of Pins          | n        |         | 3    |      |             | 3     |       |
| Pitch                   | p        |         | .050 |      |             | 1.27  |       |
| Bottom to Package Flat  | A        | .130    | .143 | .155 | 3.30        | 3.62  | 3.94  |
| Overall Width           | E1       | .175    | .186 | .195 | 4.45        | 4.71  | 4.95  |
| Overall Length          | D        | .170    | .183 | .195 | 4.32        | 4.64  | 4.95  |
| Molded Package Radius   | R        | .085    | .090 | .095 | 2.16        | 2.29  | 2.41  |
| Tip to Seating Plane    | L        | .500    | .555 | .610 | 12.70       | 14.10 | 15.49 |
| Lead Thickness          | c        | .014    | .017 | .020 | 0.36        | 0.43  | 0.51  |
| Lead Width              | B        | .016    | .019 | .022 | 0.41        | 0.48  | 0.56  |
| Mold Draft Angle Top    | $\alpha$ | 4       | 5    | 6    | 4           | 5     | 6     |
| Mold Draft Angle Bottom | $\beta$  | 2       | 3    | 4    | 2           | 3     | 4     |

\*Controlling Parameter

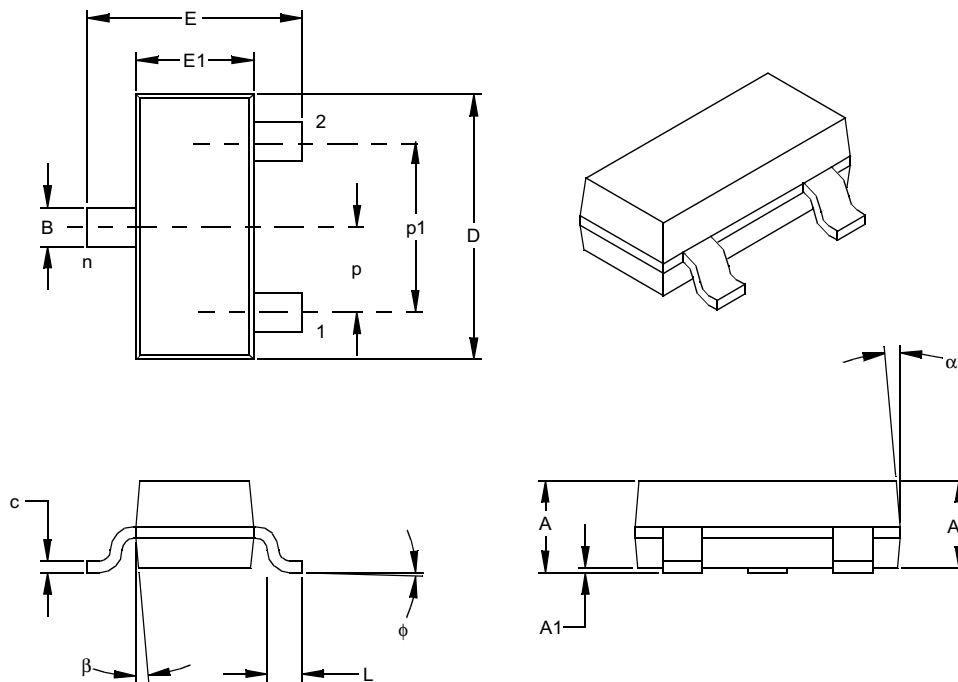
Notes:

Dimensions D and E1 do not include mold flash or protrusions. Mold flash or protrusions shall not exceed .010" (0.254mm) per side.

JEDEC Equivalent: TO-92

Drawing No. C04-101

## 3-Lead Plastic Small Outline Transistor (TT) (SOT23)



| Units                      |        | INCHES* |      |      | MILLIMETERS |      |      |
|----------------------------|--------|---------|------|------|-------------|------|------|
| Dimension                  | Limits | MIN     | NOM  | MAX  | MIN         | NOM  | MAX  |
| Number of Pins             | n      |         | 3    |      |             | 3    |      |
| Pitch                      | p      |         | .038 |      |             | 0.96 |      |
| Outside lead pitch (basic) | p1     |         | .076 |      |             | 1.92 |      |
| Overall Height             | A      | .035    | .040 | .044 | 0.89        | 1.01 | 1.12 |
| Molded Package Thickness   | A2     | .035    | .037 | .040 | 0.88        | 0.95 | 1.02 |
| Standoff §                 | A1     | .000    | .002 | .004 | 0.01        | 0.06 | 0.10 |
| Overall Width              | E      | .083    | .093 | .104 | 2.10        | 2.37 | 2.64 |
| Molded Package Width       | E1     | .047    | .051 | .055 | 1.20        | 1.30 | 1.40 |
| Overall Length             | D      | .110    | .115 | .120 | 2.80        | 2.92 | 3.04 |
| Foot Length                | L      | .014    | .018 | .022 | 0.35        | 0.45 | 0.55 |
| Foot Angle                 | φ      | 0       | 5    | 10   | 0           | 5    | 10   |
| Lead Thickness             | c      | .004    | .006 | .007 | 0.09        | 0.14 | 0.18 |
| Lead Width                 | B      | .015    | .017 | .020 | 0.37        | 0.44 | 0.51 |
| Mold Draft Angle Top       | α      | 0       | 5    | 10   | 0           | 5    | 10   |
| Mold Draft Angle Bottom    | β      | 0       | 5    | 10   | 0           | 5    | 10   |

\* Controlling Parameter  
 § Significant Characteristic

Notes:

Dimensions D and E1 do not include mold flash or protrusions. Mold flash or protrusions shall not exceed .010" (0.254mm) per side.

JEDEC Equivalent: TO-236

Drawing No. C04-104

# MCP100/101

---

---

NOTES:

## ON-LINE SUPPORT

Microchip provides on-line support on the Microchip World Wide Web (WWW) site.

The web site is used by Microchip as a means to make files and information easily available to customers. To view the site, the user must have access to the Internet and a web browser, such as Netscape or Microsoft Explorer. Files are also available for FTP download from our FTP site.

### Connecting to the Microchip Internet Web Site

The Microchip web site is available by using your favorite Internet browser to attach to:

**[www.microchip.com](http://www.microchip.com)**

The file transfer site is available by using an FTP service to connect to:

**<ftp://ftp.microchip.com>**

The web site and file transfer site provide a variety of services. Users may download files for the latest Development Tools, Data Sheets, Application Notes, User's Guides, Articles and Sample Programs. A variety of Microchip specific business information is also available, including listings of Microchip sales offices, distributors and factory representatives. Other data available for consideration is:

- Latest Microchip Press Releases
- Technical Support Section with Frequently Asked Questions
- Design Tips
- Device Errata
- Job Postings
- Microchip Consultant Program Member Listing
- Links to other useful web sites related to Microchip Products
- Conferences for products, Development Systems, technical information and more
- Listing of seminars and events

## Systems Information and Upgrade Hot Line

The Systems Information and Upgrade Line provides system users a listing of the latest versions of all of Microchip's development systems software products. Plus, this line provides information on how customers can receive any currently available upgrade kits. The Hot Line Numbers are:

1-800-755-2345 for U.S. and most of Canada, and

1-480-792-7302 for the rest of the world.

013001

# MCP100/101

---

---

## READER RESPONSE

It is our intention to provide you with the best documentation possible to ensure successful use of your Microchip product. If you wish to provide your comments on organization, clarity, subject matter, and ways in which our documentation can better serve you, please FAX your comments to the Technical Publications Manager at (480) 792-4150.

Please list the following information, and use this outline to provide us with your comments about this Data Sheet.

To: Technical Publications Manager Total Pages Sent  
RE: Reader Response  
From: Name \_\_\_\_\_  
Company \_\_\_\_\_  
Address \_\_\_\_\_  
City / State / ZIP / Country \_\_\_\_\_  
Telephone: (\_\_\_\_\_) \_\_\_\_\_ - \_\_\_\_\_ FAX: (\_\_\_\_\_) \_\_\_\_\_ - \_\_\_\_\_

Application (optional):

Would you like a reply? \_\_\_Y \_\_\_N

Device: **MCP100/101**

Literature Number: **DS11187F**

Questions:

1. What are the best features of this document?

---

---

2. How does this document meet your hardware and software development needs?

---

---

3. Do you find the organization of this data sheet easy to follow? If not, why?

---

---

4. What additions to the data sheet do you think would enhance the structure and subject?

---

---

5. What deletions from the data sheet could be made without affecting the overall usefulness?

---

---

6. Is there any incorrect or misleading information (what and where)?

---

---

7. How would you improve this document?

---

---

8. How would you improve our software, systems, and silicon products?

---

---

## PRODUCT IDENTIFICATION SYSTEM

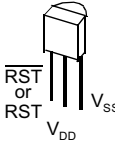
To order or obtain information, e.g., on pricing or delivery, refer to the factory or the listed sales office.

| <u>PART NO.</u>                               | <u>X</u>  | <u>X</u>  | <u>X</u>             | <u>XX</u> |
|---|---|---|----------------------|-----------|
| Device  | <u>RESET/</u><br><u>RESET</u><br><u>V<sub>TRIP</sub></u><br>Voltage | Bondout<br>Option   | Temperature<br>Range | Package   |
| Device:                                       | MCP100:   | Supervisor circuit with active low <u>RESET</u> output                |                      |           |
|   | MCP100T:  | Supervisor circuit with active low <u>RESET</u> output (tape & reel)  |                      |           |
|   | MCP101:   | Supervisor circuit with active high <u>RESET</u> output               |                      |           |
|   | MCP101T:  | Supervisor circuit with active high <u>RESET</u> output (tape & reel) |                      |           |
| <u>RESET/RESET</u> V <sub>TRIP</sub> Voltage: | 270 =   | 2.55 ≤ V <sub>TRIP</sub> ≤ 2.70                                       |                      |           |
|   | 300 =   | 2.85 ≤ V <sub>TRIP</sub> ≤ 3.00                                       |                      |           |
|   | 315 =   | 3.00 ≤ V <sub>TRIP</sub> ≤ 3.15                                       |                      |           |
|   | 450 =   | 4.25 ≤ V <sub>TRIP</sub> ≤ 4.50                                       |                      |           |
|   | 460 =   | 4.35 ≤ V <sub>TRIP</sub> ≤ 4.60                                       |                      |           |
|   | 475 =   | 4.50 ≤ V <sub>TRIP</sub> ≤ 4.75                                       |                      |           |
|   | 485 =   | 4.60 ≤ V <sub>TRIP</sub> ≤ 4.85                                       |                      |           |
| Bondout Option:<br>(TO-92 Only)               | D =   | D Bond Option (see bond option chart)                                 |                      |           |
|   | H =   | H Bond Option   |                      |           |
| Temperature Range:                            | I =   | -40°C to +85°C (only offered in I)                                    |                      |           |
| Package:                                      | TO =  | TO-92 (3-lead) [offered in bags only]                                 |                      |           |
|   | TT =  | SOT-23 (3-lead) [offered in tape & reel only]                         |                      |           |

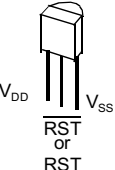
**Examples:**

- MCP100-270DI/TO = V<sub>TRIP</sub> range of 2.55V - 2.70V, Bonding Option D, Industrial Temp., TO-92 package
- MCP100T-450I/TT = V<sub>TRIP</sub> range of 4.25V - 4.50V, Industrial Temp., SOT-23 package
- MCP101-270HI/TO = V<sub>TRIP</sub> range of 2.55V - 2.70V, Bonding Option H, Industrial Temp., TO-92 package
- MCP101T-315I/TT = V<sub>TRIP</sub> range of 3.00V - 3.15V, Industrial Temp., SOT-23 package

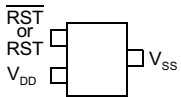
TO-92 with  
'D' Bondout



TO-92 with  
'H' Bondout



SOT-23-3



## Sales and Support

### Data Sheets

Products supported by a preliminary Data Sheet may have an errata sheet describing minor operational differences and recommended workarounds. To determine if an errata sheet exists for a particular device, please contact one of the following:

- Your local Microchip sales office
- The Microchip Corporate Literature Center U.S. FAX: (480) 792-7277
- The Microchip Worldwide Site ([www.microchip.com](http://www.microchip.com))

Please specify which device, revision of silicon and Data Sheet (include Literature #) you are using.

### New Customer Notification System

Register on our web site ([www.microchip.com/cn](http://www.microchip.com/cn)) to receive the most current information on our products.

# MCP100/101

---

NOTES:

Information contained in this publication regarding device applications and the like is intended through suggestion only and may be superseded by updates. It is your responsibility to ensure that your application meets with your specifications. No representation or warranty is given and no liability is assumed by Microchip Technology Incorporated with respect to the accuracy or use of such information, or infringement of patents or other intellectual property rights arising from such use or otherwise. Use of Microchip's products as critical components in life support systems is not authorized except with express written approval by Microchip. No licenses are conveyed, implicitly or otherwise, under any intellectual property rights.

## Trademarks


The Microchip name and logo, the Microchip logo, PIC, PICmicro, PICMASTER, PICSTART, PRO MATE, KEELoQ, SEEVAL, MPLAB and The Embedded Control Solutions Company are registered trademarks of Microchip Technology Incorporated in the U.S.A. and other countries.

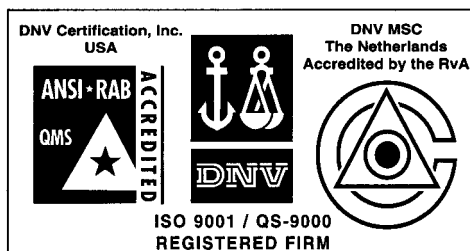
Total Endurance, ICSP, In-Circuit Serial Programming, Filter-Lab, MXDEV, microID, FlexROM, fuzzyLAB, MPASM, MPLINK, MPLIB, PICC, PICDEM, PICDEM.net, ICEPIC, Migratable Memory, FanSense, ECONOMONITOR, Select Mode and microPort are trademarks of Microchip Technology Incorporated in the U.S.A.

Serialized Quick Term Programming (SQTP) is a service mark of Microchip Technology Incorporated in the U.S.A.

All other trademarks mentioned herein are property of their respective companies.

© 2001, Microchip Technology Incorporated, Printed in the U.S.A., All Rights Reserved.

 Printed on recycled paper.



*Microchip received QS-9000 quality system certification for its worldwide headquarters, design and wafer fabrication facilities in Chandler and Tempe, Arizona in July 1999. The Company's quality system processes and procedures are QS-9000 compliant for its PICmicro® 8-bit MCUs, KEELoQ® code hopping devices, Serial EEPROMs and microperipheral products. In addition, Microchip's quality system for the design and manufacture of development systems is ISO 9001 certified.*





# MICROCHIP

## WORLDWIDE SALES AND SERVICE

### AMERICAS

#### Corporate Office

2355 West Chandler Blvd.  
Chandler, AZ 85224-6199  
Tel: 480-792-7200 Fax: 480-792-7277  
Technical Support: 480-792-7627  
Web Address: <http://www.microchip.com>

#### Rocky Mountain

2355 West Chandler Blvd.  
Chandler, AZ 85224-6199  
Tel: 480-792-7966 Fax: 480-792-7456

#### Atlanta

500 Sugar Mill Road, Suite 200B  
Atlanta, GA 30350  
Tel: 770-640-0034 Fax: 770-640-0307

#### Austin - Analog

13740 North Highway 183  
Building J, Suite 4  
Austin, TX 78750  
Tel: 512-257-3370 Fax: 512-257-8526

#### Boston

2 Lan Drive, Suite 120  
Westford, MA 01886  
Tel: 978-692-3848 Fax: 978-692-3821

#### Boston - Analog

Unit A-8-1 Millbrook Tarry Condominium  
97 Lowell Road  
Concord, MA 01742  
Tel: 978-371-6400 Fax: 978-371-0050

#### Chicago

333 Pierce Road, Suite 180  
Itasca, IL 60143  
Tel: 630-285-0071 Fax: 630-285-0075

#### Dallas

4570 Westgrove Drive, Suite 160  
Addison, TX 75001  
Tel: 972-818-7423 Fax: 972-818-2924

#### Dayton

Two Prestige Place, Suite 130  
Miamisburg, OH 45342  
Tel: 937-291-1654 Fax: 937-291-9175

#### Detroit

Tri-Atria Office Building  
32255 Northwestern Highway, Suite 190  
Farmington Hills, MI 48334  
Tel: 248-538-2250 Fax: 248-538-2260

#### Los Angeles

18201 Von Karman, Suite 1090  
Irvine, CA 92612  
Tel: 949-263-1888 Fax: 949-263-1338

#### New York

150 Motor Parkway, Suite 202  
Hauppauge, NY 11788  
Tel: 631-273-5305 Fax: 631-273-5335

#### San Jose

Microchip Technology Inc.  
2107 North First Street, Suite 590  
San Jose, CA 95131  
Tel: 408-436-7950 Fax: 408-436-7955

#### Toronto

6285 Northam Drive, Suite 108  
Mississauga, Ontario L4V 1X5, Canada  
Tel: 905-673-0699 Fax: 905-673-6509

### ASIA/PACIFIC

#### Australia

Microchip Technology Australia Pty Ltd  
Suite 22, 41 Rawson Street  
Epping 2121, NSW  
Australia  
Tel: 61-2-9868-6733 Fax: 61-2-9868-6755

#### China - Beijing

Microchip Technology Consulting (Shanghai)  
Co., Ltd., Beijing Liaison Office  
Unit 915  
Bei Hai Wan Tai Bldg.  
No. 6 Chaoyangmen Beidajie  
Beijing, 100027, No. China  
Tel: 86-10-85282100 Fax: 86-10-85282104

#### China - Chengdu

Microchip Technology Consulting (Shanghai)  
Co., Ltd., Chengdu Liaison Office  
Rm. 2401, 24th Floor,  
Ming Xing Financial Tower  
No. 88 TIDU Street  
Chengdu 610016, China  
Tel: 86-28-6766200 Fax: 86-28-6766599

#### China - Fuzhou

Microchip Technology Consulting (Shanghai)  
Co., Ltd., Fuzhou Liaison Office  
Rm. 531, North Building  
Fujian Foreign Trade Center Hotel  
73 Wusi Road  
Fuzhou 350001, China  
Tel: 86-591-7557563 Fax: 86-591-7557572

#### China - Shanghai

Microchip Technology Consulting (Shanghai)  
Co., Ltd.  
Room 701, Bldg. B  
Far East International Plaza  
No. 317 Xian Xia Road  
Shanghai, 200051  
Tel: 86-21-6275-5700 Fax: 86-21-6275-5060

#### China - Shenzhen

Microchip Technology Consulting (Shanghai)  
Co., Ltd., Shenzhen Liaison Office  
Rm. 1315, 13/F, Shenzhen Kerry Centre,  
Renminnan Lu  
Shenzhen 518001, China  
Tel: 86-755-2350361 Fax: 86-755-2366086

#### Hong Kong

Microchip Technology Hongkong Ltd.  
Unit 901-6, Tower 2, Metroplaza  
223 Hing Fong Road  
Kwai Fong, N.T., Hong Kong  
Tel: 852-2401-1200 Fax: 852-2401-3431

#### India

Microchip Technology Inc.  
India Liaison Office  
Divyasree Chambers  
1 Floor, Wing A (A3/A4)  
No. 11, O'Shaughnessey Road  
Bangalore, 560 025, India  
Tel: 91-80-2290061 Fax: 91-80-2290062

### Japan

Microchip Technology Japan K.K.  
Benex S-1 6F  
3-18-20, Shinyokohama  
Kohoku-Ku, Yokohama-shi  
Kanagawa, 222-0033, Japan  
Tel: 81-45-471-6166 Fax: 81-45-471-6122

### Korea

Microchip Technology Korea  
168-1, Youngbo Bldg. 3 Floor  
Samsung-Dong, Kangnam-Ku  
Seoul, Korea 135-882  
Tel: 82-2-554-7200 Fax: 82-2-558-5934

### Singapore

Microchip Technology Singapore Pte Ltd.  
200 Middle Road  
#07-02 Prime Centre  
Singapore, 188980  
Tel: 65-334-8870 Fax: 65-334-8850

### Taiwan

Microchip Technology Taiwan  
11F-3, No. 207  
Tung Hua North Road  
Taipei, 105, Taiwan  
Tel: 886-2-2717-7175 Fax: 886-2-2545-0139

### EUROPE

#### Denmark

Microchip Technology Denmark ApS  
Regus Business Centre  
Lautrup høj 1-3  
Ballerup DK-2750 Denmark  
Tel: 45 4420 9895 Fax: 45 4420 9910

#### France

Arizona Microchip Technology SARL  
Parc d'Activite du Moulin de Massy  
43 Rue du Saule Trapu  
Batiment A - 1er Etage  
91300 Massy, France  
Tel: 33-1-69-53-63-20 Fax: 33-1-69-30-90-79

#### Germany

Arizona Microchip Technology GmbH  
Gustav-Heinemann Ring 125  
D-81739 Munich, Germany  
Tel: 49-89-627-144 0 Fax: 49-89-627-144-44

#### Germany - Analog

Lochhamer Strasse 13  
D-82152 Martinsried, Germany  
Tel: 49-89-895650-0 Fax: 49-89-895650-22

#### Italy

Arizona Microchip Technology SRL  
Centro Direzionale Colleoni  
Palazzo Taurus 1 V. Le Colleoni 1  
20041 Agrate Brianza  
Milan, Italy  
Tel: 39-039-65791-1 Fax: 39-039-6899883

#### United Kingdom

Arizona Microchip Technology Ltd.  
505 Eskdale Road  
Winnersh Triangle  
Wokingham  
Berkshire, England RG41 5TU  
Tel: 44 118 921 5869 Fax: 44-118 921-5820

08/01/01