



HESTORE.HU

elektronikai alkatrész áruház

EN: This Datasheet is presented by the manufacturer.

Please visit our website for pricing and availability at www.hestore.hu.

DATA SHEET

74HC04; 74HCT04 Hex inverter

Product specification
Supersedes data of 1993 Sep 01

2003 Jul 23

Hex inverter

74HC04; 74HCT04

FEATURES

- Complies with JEDEC standard no. 8-1A
- ESD protection:
HBM EIA/JESD22-A114-A exceeds 2000 V
MM EIA/JESD22-A115-A exceeds 200 V.
- Specified from -40 to +85 °C and -40 to +125 °C.

DESCRIPTION

The 74HC/HCT04 are high-speed Si-gate CMOS devices and are pin compatible with low power Schottky TTL (LSTTL). They are specified in compliance with JEDEC standard no. 7A. The 74HC/HCT04 provide six inverting buffers.

QUICK REFERENCE DATA

GND = 0 V; T_{amb} = 25 °C; t_r = t_f ≤ 6.0 ns.

| SYMBOL | PARAMETER | CONDITIONS | TYPICAL | | UNIT |
|------------------------------------|--|---|---------|-------|------|
| | | | HC04 | HCT04 | |
| t _{PHL} /t _{PLH} | propagation delay nA to nY | C _L = 15 pF; V _{CC} = 5 V | 7 | 8 | ns |
| C _I | input capacitance | | 3.5 | 3.5 | pF |
| C _{PD} | power dissipation capacitance per gate | notes 1 and 2 | 21 | 24 | pF |

Notes

- C_{PD} is used to determine the dynamic power dissipation (P_D in μW).
 $P_D = C_{PD} \times V_{CC}^2 \times f_i \times N + \Sigma(C_L \times V_{CC}^2 \times f_o)$ where:
 f_i = input frequency in MHz;
 f_o = output frequency in MHz;
 C_L = output load capacitance in pF;
 V_{CC} = supply voltage in Volts;
 N = total load switching outputs;
 Σ(C_L × V_{CC}² × f_o) = sum of the outputs.
- For 74HC04: the condition is V_I = GND to V_{CC}.
 For 74HCT04: the condition is V_I = GND to V_{CC} - 1.5 V.

FUNCTION TABLE

See note 1.

| INPUT | OUTPUT |
|-------|--------|
| nA | nY |
| L | H |
| H | L |

Note

- H = HIGH voltage level;
L = LOW voltage level.

Hex inverter

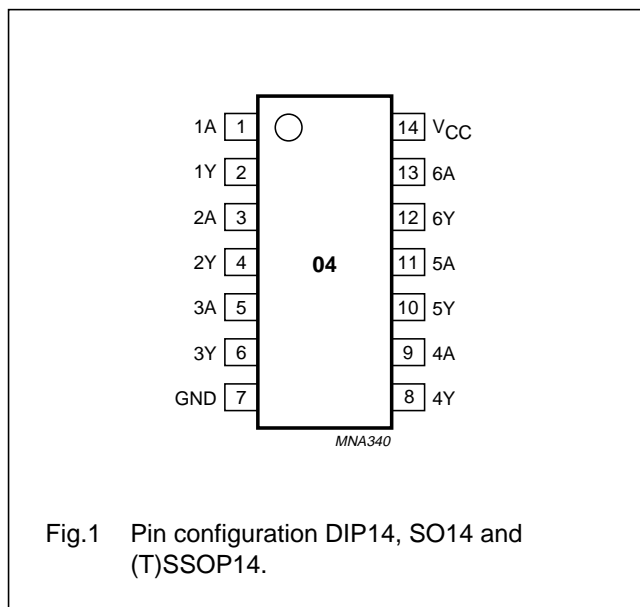
74HC04; 74HCT04

ORDERING INFORMATION

| TYPE NUMBER | PACKAGE | | | | |
|-------------|-------------------|------|----------|----------|----------|
| | TEMPERATURE RANGE | PINS | PACKAGE | MATERIAL | CODE |
| 74HC04N | -40 to +125 °C | 14 | DIP14 | plastic | SOT27-1 |
| 74HCT04N | -40 to +125 °C | 14 | DIP14 | plastic | SOT27-1 |
| 74HC04D | -40 to +125 °C | 14 | SO14 | plastic | SOT108-1 |
| 74HCT04D | -40 to +125 °C | 14 | SO14 | plastic | SOT108-1 |
| 74HC04DB | -40 to +125 °C | 14 | SSOP14 | plastic | SOT337-1 |
| 74HCT04DB | -40 to +125 °C | 14 | SSOP14 | plastic | SOT337-1 |
| 74HC04PW | -40 to +125 °C | 14 | TSSOP14 | plastic | SOT402-1 |
| 74HCT04PW | -40 to +125 °C | 14 | TSSOP14 | plastic | SOT402-1 |
| 74HC04BQ | -40 to +125 °C | 14 | DHVQFN14 | plastic | SOT762-1 |
| 74HCT04BQ | -40 to +125 °C | 14 | DHVQFN14 | plastic | SOT762-1 |

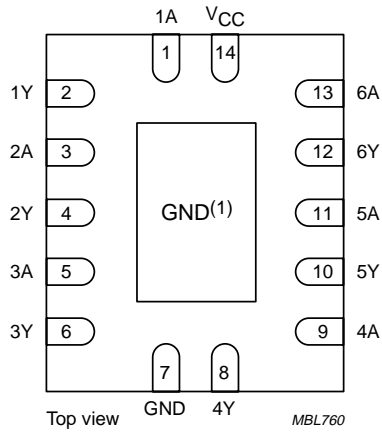
PINNING

| PIN | SYMBOL | DESCRIPTION |
|-----|-----------------|----------------|
| 1 | 1A | data input |
| 2 | 1Y | data output |
| 3 | 2A | data input |
| 4 | 2Y | data output |
| 5 | 3A | data input |
| 6 | 3Y | data output |
| 7 | GND | ground (0 V) |
| 8 | 4Y | data output |
| 9 | 4A | data input |
| 10 | 5Y | data output |
| 11 | 5A | data input |
| 12 | 6Y | data output |
| 13 | 6A | data input |
| 14 | V _{CC} | supply voltage |



Hex inverter

74HC04; 74HCT04



(1) The die substrate is attached to this pad using conductive die attach material. It can not be used as a supply pin or input.

Fig.2 Pin configuration DHVQFN14.

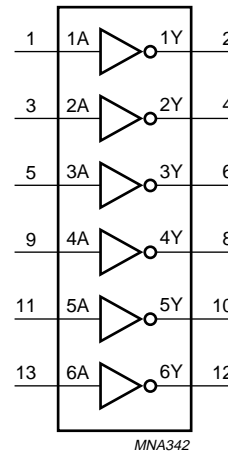


Fig.3 Logic symbol.

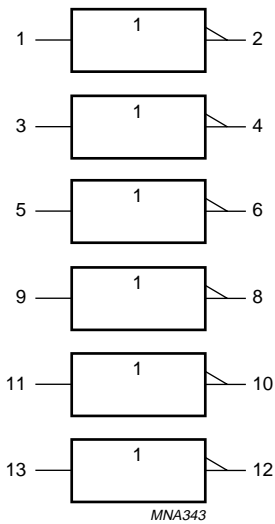


Fig.4 IEC logic symbol.

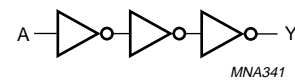


Fig.5 Logic diagram (one inverter).

Hex inverter

74HC04; 74HCT04

RECOMMENDED OPERATING CONDITIONS

| SYMBOL | PARAMETER | CONDITIONS | 74HC04 | | | 74HCT04 | | | UNIT |
|------------|---------------------------|--|--------|------|----------|---------|------|----------|------|
| | | | MIN. | TYP. | MAX. | MIN. | TYP. | MAX. | |
| V_{CC} | supply voltage | | 2.0 | 5.0 | 6.0 | 4.5 | 5.0 | 5.5 | V |
| V_I | input voltage | | 0 | – | V_{CC} | 0 | – | V_{CC} | V |
| V_O | output voltage | | 0 | – | V_{CC} | 0 | – | V_{CC} | V |
| T_{amb} | ambient temperature | see DC and AC characteristics per device | –40 | +25 | +125 | –40 | +25 | +125 | °C |
| t_r, t_f | input rise and fall times | $V_{CC} = 2.0$ V | – | – | 1000 | – | – | – | ns |
| | | $V_{CC} = 4.5$ V | – | 6.0 | 500 | – | 6.0 | 500 | ns |
| | | $V_{CC} = 6.0$ V | – | – | 400 | – | – | – | ns |

LIMITING VALUES

In accordance with the Absolute Maximum Rating System (IEC 60134); voltages are referenced to GND (ground = 0 V).

| SYMBOL | PARAMETER | CONDITIONS | MIN. | MAX. | UNIT |
|-------------------|-------------------------------|--|------|------|------|
| V_{CC} | supply voltage | | –0.5 | +7.0 | V |
| I_{IK} | input diode current | $V_I < -0.5$ V or $V_I > V_{CC} + 0.5$ V | – | ±20 | mA |
| I_{OK} | output diode current | $V_O < -0.5$ V or $V_O > V_{CC} + 0.5$ V | – | ±20 | mA |
| I_O | output source or sink current | -0.5 V < V_O < $V_{CC} + 0.5$ V | – | ±25 | mA |
| I_{CC}, I_{GND} | V_{CC} or GND current | | – | ±50 | mA |
| T_{stg} | storage temperature | | –65 | +150 | °C |
| P_{tot} | power dissipation | | | | |
| | DIP14 package | $T_{amb} = -40$ to $+125$ °C; note 1 | – | 750 | mW |
| | other packages | $T_{amb} = -40$ to $+125$ °C; note 2 | – | 500 | mW |

Notes

- For DIP14 packages: above 70 °C derate linearly with 12 mW/K.
- For SO14 packages: above 70 °C derate linearly with 8 mW/K.
For SSOP14 and TSSOP14 packages: above 60 °C derate linearly with 5.5 mW/K.
For DHVQFN14 packages: above 60 °C derate linearly with 4.5 mW/K.

Hex inverter

74HC04; 74HCT04

DC CHARACTERISTICS

Type 74HC04

At recommended operating conditions; voltages are referenced to GND (ground = 0 V).

| SYMBOL | PARAMETER | TEST CONDITIONS | | MIN. | TYP. | MAX. | UNIT |
|--------------------------------|----------------------------|--|---------------------|------|------|------|------|
| | | OTHER | V _{CC} (V) | | | | |
| T_{amb} = 25 °C | | | | | | | |
| V _{IH} | HIGH-level input voltage | | 2.0 | 1.5 | 1.2 | – | V |
| | | | 4.5 | 3.15 | 2.4 | – | V |
| | | | 6.0 | 4.2 | 3.2 | – | V |
| V _{IL} | LOW-level input voltage | | 2.0 | – | 0.8 | 0.5 | V |
| | | | 4.5 | – | 2.1 | 1.35 | V |
| | | | 6.0 | – | 2.8 | 1.8 | V |
| V _{OH} | HIGH-level output voltage | V _I = V _{IH} or V _{IL} I _O = –20 µA | 2.0 | 1.9 | 2.0 | – | V |
| | | I _O = –20 µA | 4.5 | 4.4 | 4.5 | – | V |
| | | I _O = –4.0 mA | 4.5 | 3.98 | 4.32 | – | V |
| | | I _O = –20 µA | 6.0 | 5.9 | 6.0 | – | V |
| | | I _O = –5.2 mA | 6.0 | 5.48 | 5.81 | – | V |
| V _{OL} | LOW-level output voltage | V _I = V _{IH} or V _{IL} I _O = 20 µA | 2.0 | – | 0 | 0.1 | V |
| | | I _O = 20 µA | 4.5 | – | 0 | 0.1 | V |
| | | I _O = 4.0 mA | 4.5 | – | 0.15 | 0.26 | V |
| | | I _O = 20 µA | 6.0 | – | 0 | 0.1 | V |
| | | I _O = 5.2 mA | 6.0 | – | 0.16 | 0.26 | V |
| I _{LI} | input leakage current | V _I = V _{CC} or GND | 6.0 | – | 0.1 | ±0.1 | µA |
| I _{oz} | 3-state output OFF current | V _I = V _{IH} or V _{IL} ; V _O = V _{CC} or GND | 6.0 | – | – | ±0.5 | µA |
| I _{CC} | quiescent supply current | V _I = V _{CC} or GND; I _O = 0 | 6.0 | – | – | 2 | µA |

Hex inverter

74HC04; 74HCT04

| SYMBOL | PARAMETER | TEST CONDITIONS | | MIN. | TYP. | MAX. | UNIT |
|--|----------------------------|--|---------------------|------|------|------|------|
| | | OTHER | V _{CC} (V) | | | | |
| T_{amb} = -40 to +85 °C | | | | | | | |
| V _{IH} | HIGH-level input voltage | | 2.0 | 1.5 | – | – | V |
| | | | 4.5 | 3.15 | – | – | V |
| | | | 6.0 | 4.2 | – | – | V |
| V _{IL} | LOW-level input voltage | | 2.0 | – | – | 0.5 | V |
| | | | 4.5 | – | – | 1.35 | V |
| | | | 6.0 | – | – | 1.8 | V |
| V _{OH} | HIGH-level output voltage | V _I = V _{IH} or V _{IL} I _O = -20 µA | 2.0 | 1.9 | – | – | V |
| | | I _O = -20 µA | 4.5 | 4.4 | – | – | V |
| | | I _O = -4.0 mA | 4.5 | 3.84 | – | – | V |
| | | I _O = -20 µA | 6.0 | 5.9 | – | – | V |
| | | I _O = -5.2 mA | 6.0 | 5.34 | – | – | V |
| V _{OL} | LOW-level output voltage | V _I = V _{IH} or V _{IL} I _O = 20 µA | 2.0 | – | – | 0.1 | V |
| | | I _O = 20 µA | 4.5 | – | – | 0.1 | V |
| | | I _O = 4.0 mA | 4.5 | – | – | 0.33 | V |
| | | I _O = 20 µA | 6.0 | – | – | 0.1 | V |
| | | I _O = 5.2 mA | 6.0 | – | – | 0.33 | V |
| I _{LI} | input leakage current | V _I = V _{CC} or GND | 6.0 | – | – | ±1.0 | µA |
| I _{OZ} | 3-state output OFF current | V _I = V _{IH} or V _{IL} ; V _O = V _{CC} or GND | 6.0 | – | – | ±5.0 | µA |
| I _{CC} | quiescent supply current | V _I = V _{CC} or GND; I _O = 0 | 6.0 | – | – | 20 | µA |

Hex inverter

74HC04; 74HCT04

| SYMBOL | PARAMETER | TEST CONDITIONS | | MIN. | TYP. | MAX. | UNIT |
|---|----------------------------|--|---------------------|------|------|-------|------|
| | | OTHER | V _{CC} (V) | | | | |
| T_{amb} = -40 to +125 °C | | | | | | | |
| V _{IH} | HIGH-level input voltage | | 2.0 | 1.5 | – | – | V |
| | | | 4.5 | 3.15 | – | – | V |
| | | | 6.0 | 4.2 | – | – | V |
| V _{IL} | LOW-level input voltage | | 2.0 | – | – | 0.5 | V |
| | | | 4.5 | – | – | 1.35 | V |
| | | | 6.0 | – | – | 1.8 | V |
| V _{OH} | HIGH-level output voltage | V _I = V _{IH} or V _{IL} I _O = -20 µA | 2.0 | 1.9 | – | – | V |
| | | I _O = -20 µA | 4.5 | 4.4 | – | – | V |
| | | I _O = -20 µA | 6.0 | 5.9 | – | – | V |
| | | I _O = -4.0 mA | 4.5 | 3.7 | – | – | V |
| | | I _O = -5.2 mA | 6.0 | 5.2 | – | – | V |
| V _{OL} | LOW-level output voltage | V _I = V _{IH} or V _{IL} I _O = 20 µA | 2.0 | – | – | 0.1 | V |
| | | I _O = 20 µA | 4.5 | – | – | 0.1 | V |
| | | I _O = 20 µA | 6.0 | – | – | 0.1 | V |
| | | I _O = 4.0 mA | 4.5 | – | – | 0.4 | V |
| | | I _O = 5.2 mA | 6.0 | – | – | 0.4 | V |
| I _{LI} | input leakage current | V _I = V _{CC} or GND | 6.0 | – | – | ±1.0 | µA |
| I _{OZ} | 3-state output OFF current | V _I = V _{IH} or V _{IL} ; V _O = V _{CC} or GND | 6.0 | – | – | ±10.0 | µA |
| I _{CC} | quiescent supply current | V _I = V _{CC} or GND; I _O = 0 | 6.0 | – | – | 40 | µA |

Hex inverter

74HC04; 74HCT04

Type 74HCT04

At recommended operating conditions; voltages are referenced to GND (ground = 0 V).

| SYMBOL | PARAMETER | TEST CONDITIONS | | MIN. | TYP. | MAX. | UNIT |
|--|-------------------------------------|---|---------------------|------|------|------|------|
| | | OTHER | V _{CC} (V) | | | | |
| T_{amb} = 25 °C | | | | | | | |
| V _{IH} | HIGH-level input voltage | | 4.5 to 5.5 | 2.0 | 1.6 | – | V |
| V _{IL} | LOW-level input voltage | | 4.5 to 5.5 | – | 1.2 | 0.8 | V |
| V _{OH} | HIGH-level output voltage | V _I = V _{IH} or V _{IL} I _O = –20 µA | 4.5 | 4.4 | 4.5 | – | V |
| | | I _O = –4.0 mA | 4.5 | 3.84 | 4.32 | – | V |
| V _{OL} | LOW-level output voltage | V _I = V _{IH} or V _{IL} I _O = 20 µA | 4.5 | – | 0 | 0.1 | V |
| | | I _O = 4.0 mA | 4.5 | – | 0.15 | 0.26 | V |
| I _{LI} | input leakage current | V _I = V _{CC} or GND | 5.5 | – | – | ±0.1 | µA |
| I _{OZ} | 3-state output OFF current | V _I = V _{IH} or V _{IL} ; V _O = V _{CC} or GND; I _O = 0 | 5.5 | – | – | ±0.5 | µA |
| I _{CC} | quiescent supply current | V _I = V _{CC} or GND; I _O = 0 | 5.5 | – | – | 2 | µA |
| ΔI _{CC} | additional supply current per input | V _I = V _{CC} – 2.1 V; I _O = 0 | 4.5 to 5.5 | – | 120 | 432 | µA |
| T_{amb} = –40 to +85 °C | | | | | | | |
| V _{IH} | HIGH-level input voltage | | 4.5 to 5.5 | 2.0 | – | – | V |
| V _{IL} | LOW-level input voltage | | 4.5 to 5.5 | – | – | 0.8 | V |
| V _{OH} | HIGH-level output voltage | V _I = V _{IH} or V _{IL} I _O = –20 µA | 4.5 | 4.4 | – | – | V |
| | | I _O = –4.0 mA | 4.5 | 3.84 | – | – | V |
| V _{OL} | LOW-level output voltage | V _I = V _{IH} or V _{IL} I _O = 20 µA | 4.5 | – | – | 0.1 | V |
| | | I _O = 4.0 mA | 4.5 | – | – | 0.33 | V |
| I _{LI} | input leakage current | V _I = V _{CC} or GND | 5.5 | – | – | ±1.0 | µA |
| I _{OZ} | 3-state output OFF current | V _I = V _{IH} or V _{IL} ; V _O = V _{CC} or GND; I _O = 0 | 5.5 | – | – | ±5.0 | µA |
| I _{CC} | quiescent supply current | V _I = V _{CC} or GND; I _O = 0 | 5.5 | – | – | 20 | µA |
| ΔI _{CC} | additional supply current per input | V _I = V _{CC} – 2.1 V; I _O = 0 | 4.5 to 5.5 | – | – | 540 | µA |

Hex inverter

74HC04; 74HCT04

| SYMBOL | PARAMETER | TEST CONDITIONS | | MIN. | TYP. | MAX. | UNIT |
|---|-------------------------------------|---|---------------------|------|------|------|------|
| | | OTHER | V _{CC} (V) | | | | |
| T_{amb} = -40 to +125 °C | | | | | | | |
| V _{IH} | HIGH-level input voltage | | 4.5 to 5.5 | 2.0 | – | – | V |
| V _{IL} | LOW-level input voltage | | 4.5 to 5.5 | – | – | 0.8 | V |
| V _{OH} | HIGH-level output voltage | V _I = V _{IH} or V _{IL} I _O = -20 µA | 4.5 | 4.4 | – | – | V |
| | | I _O = -4.0 mA | 4.5 | 3.7 | – | – | V |
| V _{OL} | LOW-level output voltage | V _I = V _{IH} or V _{IL} I _O = 20 µA | 4.5 | – | – | 0.1 | V |
| | | I _O = 4.0 mA | 4.5 | – | – | 0.4 | V |
| I _{LI} | input leakage current | V _I = V _{CC} or GND | 5.5 | – | – | ±1.0 | µA |
| I _{OZ} | 3-state output OFF current | V _I = V _{IH} or V _{IL} ; V _O = V _{CC} or GND; I _O = 0 | 5.5 | – | – | ±10 | µA |
| I _{CC} | quiescent supply current | V _I = V _{CC} or GND; I _O = 0 | 5.5 | – | – | 40 | µA |
| ΔI _{CC} | additional supply current per input | V _I = V _{CC} - 2.1 V; I _O = 0 | 4.5 to 5.5 | – | – | 590 | µA |

Hex inverter

74HC04; 74HCT04

AC CHARACTERISTICS

Family 74HC04

GND = 0 V; $t_r = t_f \leq 6.0$ ns; $C_L = 50$ pF.

| SYMBOL | PARAMETER | TEST CONDITIONS | | MIN. | TYP. | MAX. | UNIT |
|---|-------------------------------|------------------|---------------------|------|------|------|------|
| | | WAVEFORMS | V _{CC} (V) | | | | |
| T_{amb} = 25 °C | | | | | | | |
| t _{PHL} /t _{PLH} | propagation delay nA to nY | see Figs 6 and 7 | 2.0 | – | 25 | 85 | ns |
| | | | 4.5 | – | 9 | 17 | ns |
| | | | 6.0 | – | 7 | 14 | ns |
| t _{THL} /t _{TLH} | output transition time | see Figs 6 and 7 | 2.0 | – | 19 | 75 | ns |
| | | | 4.5 | – | 7 | 15 | ns |
| | | | 6.0 | – | 6 | 13 | ns |
| T_{amb} = –40 to +85 °C | | | | | | | |
| t _{PHL} /t _{PLH} | propagation delay nA to nY | see Figs 6 and 7 | 2.0 | – | – | 105 | ns |
| | | | 4.5 | – | – | 21 | ns |
| | | | 6.0 | – | – | 18 | ns |
| t _{THL} /t _{TLH} | output transition time | see Figs 6 and 7 | 2.0 | – | – | 95 | ns |
| | | | 4.5 | – | – | 19 | ns |
| | | | 6.0 | – | – | 16 | ns |
| T_{amb} = –40 to +125 °C | | | | | | | |
| t _{PHL} /t _{PLH} | propagation delay nA to nY | see Figs 6 and 7 | 2.0 | – | – | 130 | ns |
| | | | 4.5 | – | – | 26 | ns |
| | | | 6.0 | – | – | 22 | ns |
| t _{THL} /t _{TLH} | output transition time | see Figs 6 and 7 | 2.0 | – | – | 110 | ns |
| | | | 4.5 | – | – | 22 | ns |
| | | | 6.0 | – | – | 19 | ns |

Hex inverter

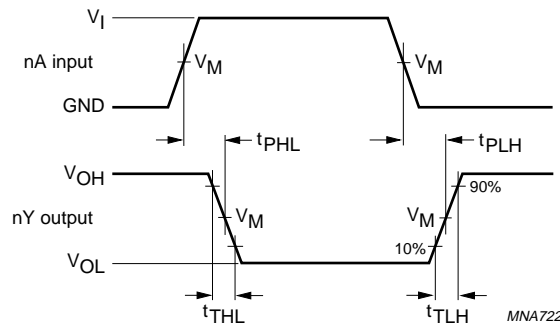
74HC04; 74HCT04

Family 74HCT04

GND = 0 V; $t_r = t_f \leq 6.0$ ns; $C_L = 50$ pF.

| SYMBOL | PARAMETER | TEST CONDITIONS | | MIN. | TYP. | MAX. | UNIT |
|---|-------------------------------|------------------|---------------------|------|------|------|------|
| | | WAVEFORMS | V _{CC} (V) | | | | |
| T_{amb} = 25 °C | | | | | | | |
| t _{PHL} /t _{PLH} | propagation delay nA to nY | see Figs 6 and 7 | 4.5 | – | 10 | 19 | ns |
| t _{THL} /t _{TLH} | output transition time | see Figs 6 and 7 | 4.5 | – | 7 | 15 | ns |
| T_{amb} = –40 to +85 °C | | | | | | | |
| t _{PHL} /t _{PLH} | propagation delay nA to nY | see Figs 6 and 7 | 4.5 | – | – | 24 | ns |
| t _{THL} /t _{TLH} | output transition time | see Figs 6 and 7 | 4.5 | – | – | 19 | ns |
| T_{amb} = –40 to +125 °C | | | | | | | |
| t _{PHL} /t _{PLH} | propagation delay nA to nY | see Figs 6 and 7 | 4.5 | – | – | 29 | ns |
| t _{THL} /t _{TLH} | output transition time | see Figs 6 and 7 | 4.5 | – | – | 22 | ns |

AC WAVEFORMS

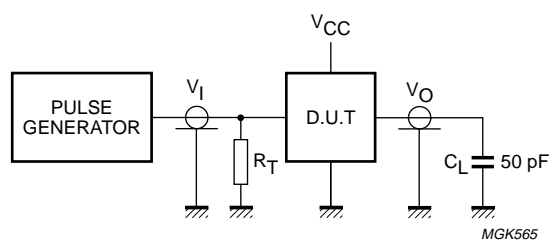


For 74HC04: $V_M = 50\%$; $V_I = \text{GND to } V_{CC}$.
 For 74HCT04: $V_M = 1.3$ V; $V_I = \text{GND to } 3.0$ V.

Fig.6 Waveforms showing the data input (nA) to data output (nY) propagation delays and the output transition times.

Hex inverter

74HC04; 74HCT04



Definitions for test circuit:

C_L = Load capacitance including jig and probe capacitance.

R_T = Termination resistance should be equal to the output impedance Z_o of the pulse generator.

Fig.7 Load circuitry for switching times.

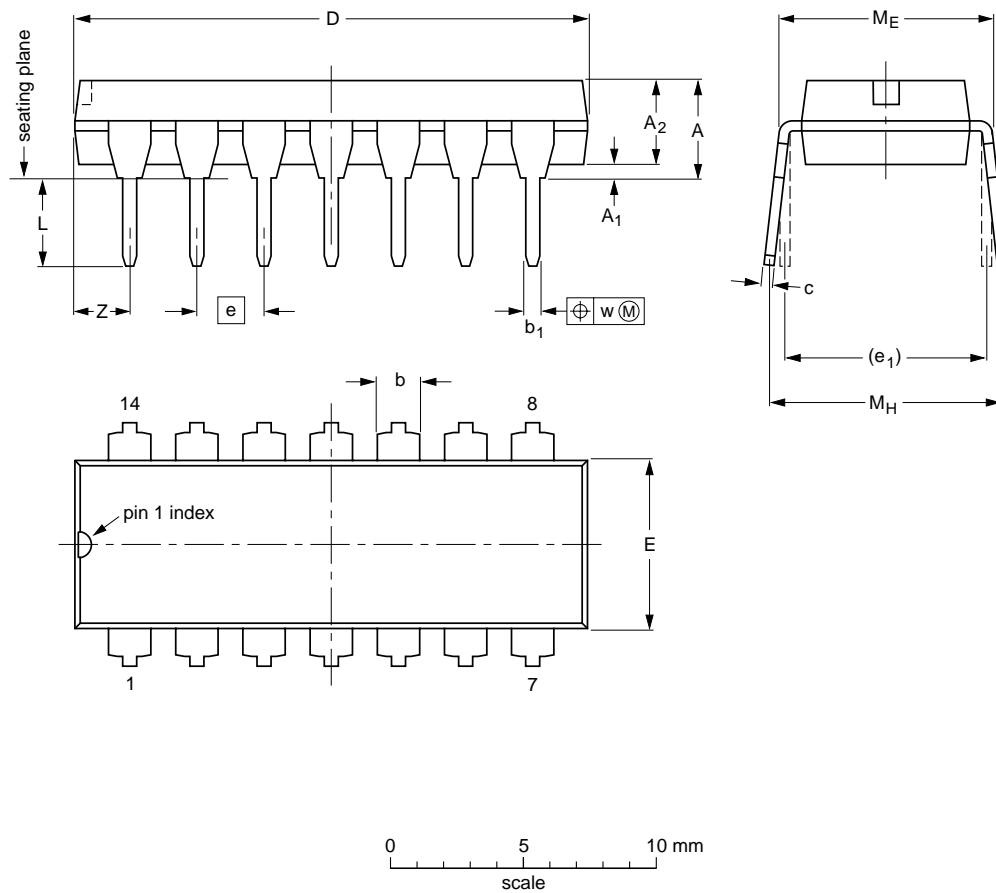
Hex inverter

74HC04; 74HCT04

PACKAGE OUTLINES

DIP14: plastic dual in-line package; 14 leads (300 mil)

SOT27-1



DIMENSIONS (inch dimensions are derived from the original mm dimensions)

| UNIT | A max. | A ₁ min. | A ₂ max. | b | b ₁ | c | D ⁽¹⁾ | E ⁽¹⁾ | e | e ₁ | L | M _E | M _H | w | z ⁽¹⁾ max. |
|--------|--------|---------------------|---------------------|----------------|----------------|----------------|------------------|------------------|------|----------------|--------------|----------------|----------------|-------|-----------------------|
| mm | 4.2 | 0.51 | 3.2 | 1.73 1.13 | 0.53 0.38 | 0.36 0.23 | 19.50 18.55 | 6.48 6.20 | 2.54 | 7.62 | 3.60 3.05 | 8.25 7.80 | 10.0 8.3 | 0.254 | 2.2 |
| inches | 0.17 | 0.02 | 0.13 | 0.068 0.044 | 0.021 0.015 | 0.014 0.009 | 0.77 0.73 | 0.26 0.24 | 0.1 | 0.3 | 0.14 0.12 | 0.32 0.31 | 0.39 0.33 | 0.01 | 0.087 |

Note

1. Plastic or metal protrusions of 0.25 mm (0.01 inch) maximum per side are not included.

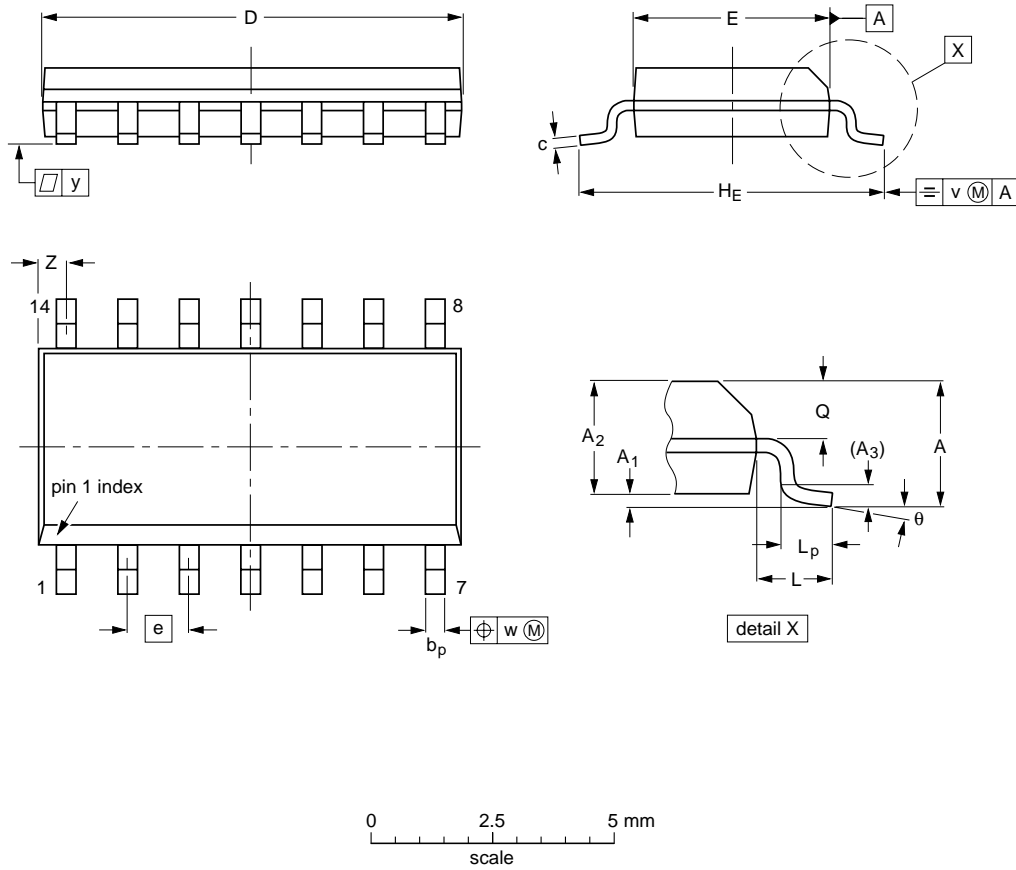
| OUTLINE VERSION | REFERENCES | | | EUROPEAN PROJECTION | ISSUE DATE |
|-----------------|------------|--------|-----------|---------------------|----------------------|
| | IEC | JEDEC | JEITA | | |
| SOT27-1 | 050G04 | MO-001 | SC-501-14 | | 99-12-27 03-02-13 |

Hex inverter

74HC04; 74HCT04

SO14: plastic small outline package; 14 leads; body width 3.9 mm

SOT108-1



DIMENSIONS (inch dimensions are derived from the original mm dimensions)

| UNIT | A max. | A ₁ | A ₂ | A ₃ | b _p | c | D ⁽¹⁾ | E ⁽¹⁾ | e | H _E | L | L _p | Q | v | w | y | Z ⁽¹⁾ | θ |
|--------|--------|----------------|----------------|----------------|----------------|------------------|------------------|------------------|------|----------------|-------|----------------|----------------|------|------|-------|------------------|----------|
| mm | 1.75 | 0.25 0.10 | 1.45 1.25 | 0.25 | 0.49 0.36 | 0.25 0.19 | 8.75 8.55 | 4.0 3.8 | 1.27 | 6.2 5.8 | 1.05 | 1.0 0.4 | 0.7 0.6 | 0.25 | 0.25 | 0.1 | 0.7 0.3 | 8° 0° |
| inches | 0.069 | 0.010 0.004 | 0.057 0.049 | 0.01 | 0.019 0.014 | 0.0100 0.0075 | 0.35 0.34 | 0.16 0.15 | 0.05 | 0.244 0.228 | 0.041 | 0.039 0.016 | 0.028 0.024 | 0.01 | 0.01 | 0.004 | 0.028 0.012 | |

Note

1. Plastic or metal protrusions of 0.15 mm (0.006 inch) maximum per side are not included.

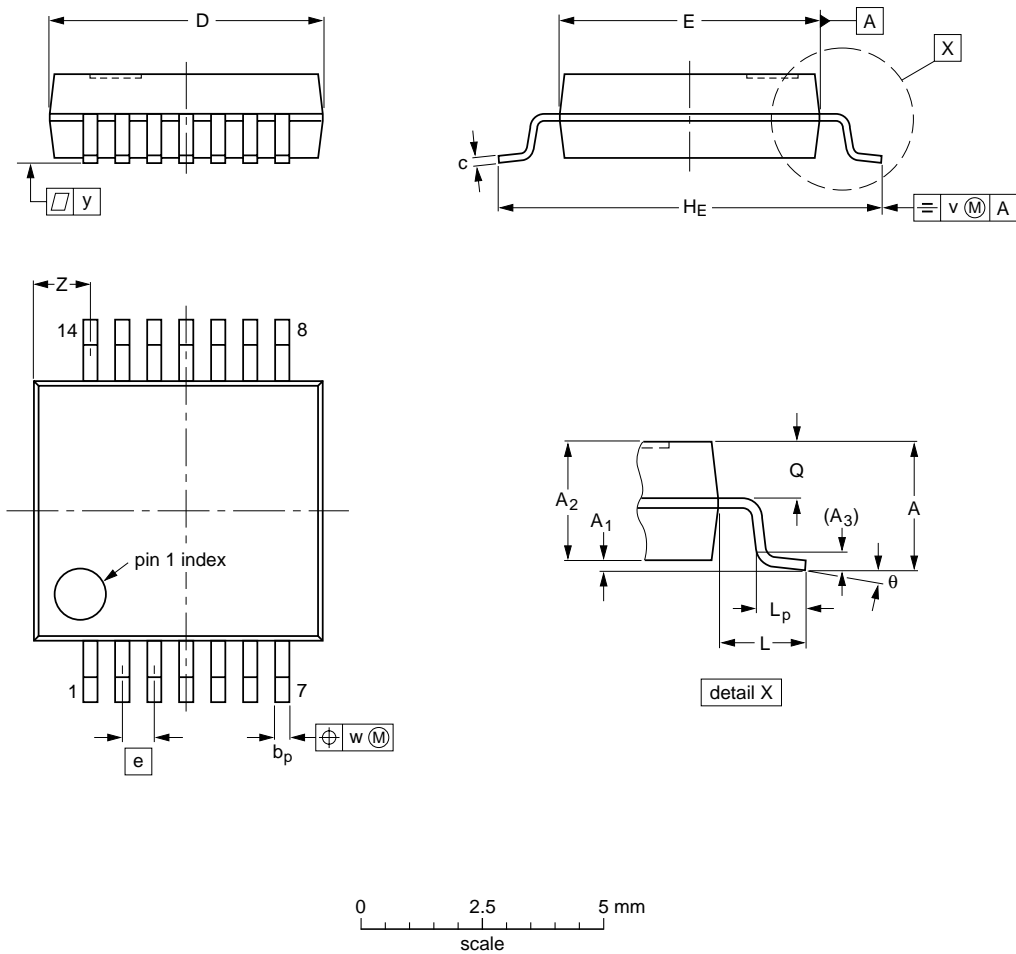
| OUTLINE VERSION | REFERENCES | | | | EUROPEAN PROJECTION | ISSUE DATE |
|-----------------|------------|--------|-------|--|---------------------|----------------------|
| | IEC | JEDEC | JEITA | | | |
| SOT108-1 | 076E06 | MS-012 | | | | 99-12-27 03-02-19 |

Hex inverter

74HC04; 74HCT04

SSOP14: plastic shrink small outline package; 14 leads; body width 5.3 mm

SOT337-1



DIMENSIONS (mm are the original dimensions)

| UNIT | A max. | A ₁ | A ₂ | A ₃ | b _p | c | D ⁽¹⁾ | E ⁽¹⁾ | e | H _E | L | L _p | Q | v | w | y | z ⁽¹⁾ | θ |
|------|--------|----------------|----------------|----------------|----------------|--------------|------------------|------------------|------|----------------|------|----------------|------------|-----|------|-----|------------------|----------|
| mm | 2 | 0.21 0.05 | 1.80 1.65 | 0.25 | 0.38 0.25 | 0.20 0.09 | 6.4 6.0 | 5.4 5.2 | 0.65 | 7.9 7.6 | 1.25 | 1.03 0.63 | 0.9 0.7 | 0.2 | 0.13 | 0.1 | 1.4 0.9 | 8° 0° |

Note

1. Plastic or metal protrusions of 0.25 mm maximum per side are not included.

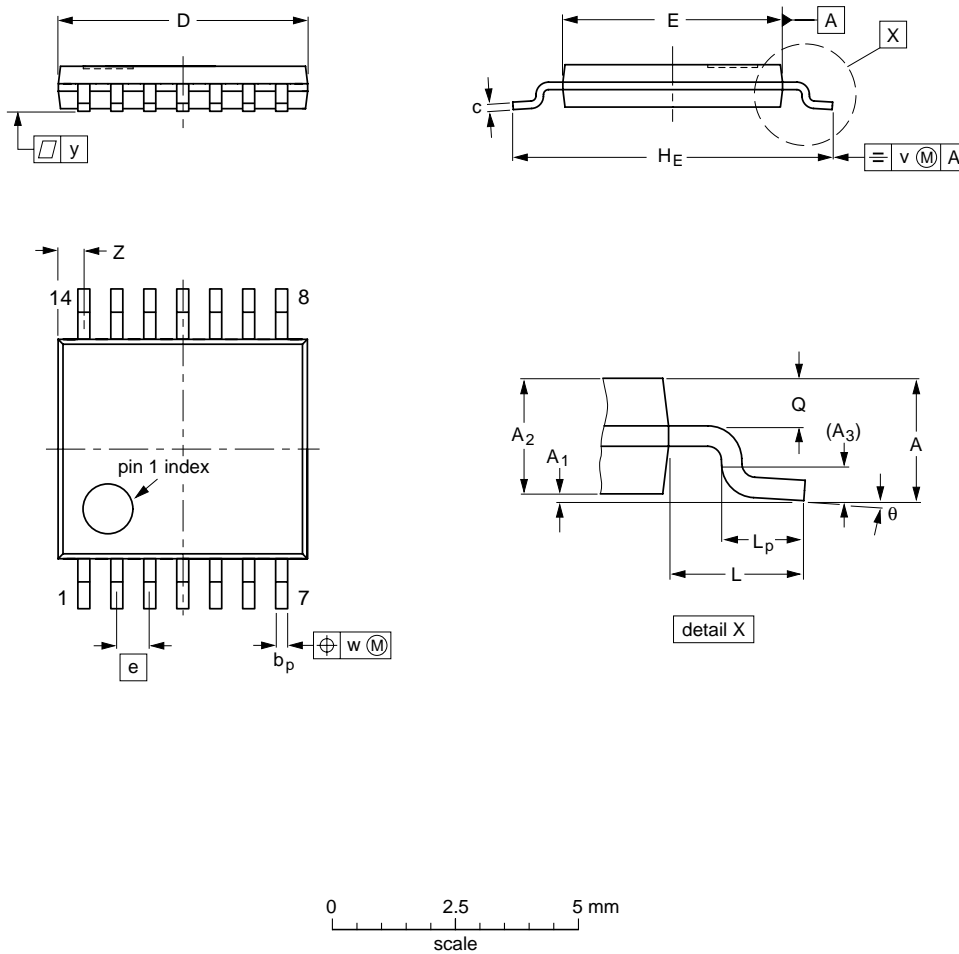
| OUTLINE VERSION | REFERENCES | | | | EUROPEAN PROJECTION | ISSUE DATE |
|-----------------|------------|--------|-------|--|---------------------|----------------------|
| | IEC | JEDEC | JEITA | | | |
| SOT337-1 | | MO-150 | | | | 99-12-27 03-02-19 |

Hex inverter

74HC04; 74HCT04

TSSOP14: plastic thin shrink small outline package; 14 leads; body width 4.4 mm

SOT402-1



DIMENSIONS (mm are the original dimensions)

| UNIT | A max. | A ₁ | A ₂ | A ₃ | b _p | c | D ⁽¹⁾ | E ⁽²⁾ | e | H _E | L | L _p | Q | v | w | y | z ⁽¹⁾ | θ |
|------|--------|----------------|----------------|----------------|----------------|------------|------------------|------------------|------|----------------|---|----------------|------------|-----|------|-----|------------------|----------|
| mm | 1.1 | 0.15 0.05 | 0.95 0.80 | 0.25 | 0.30 0.19 | 0.2 0.1 | 5.1 4.9 | 4.5 4.3 | 0.65 | 6.6 6.2 | 1 | 0.75 0.50 | 0.4 0.3 | 0.2 | 0.13 | 0.1 | 0.72 0.38 | 8° 0° |

Notes

1. Plastic or metal protrusions of 0.15 mm maximum per side are not included.
2. Plastic interlead protrusions of 0.25 mm maximum per side are not included.

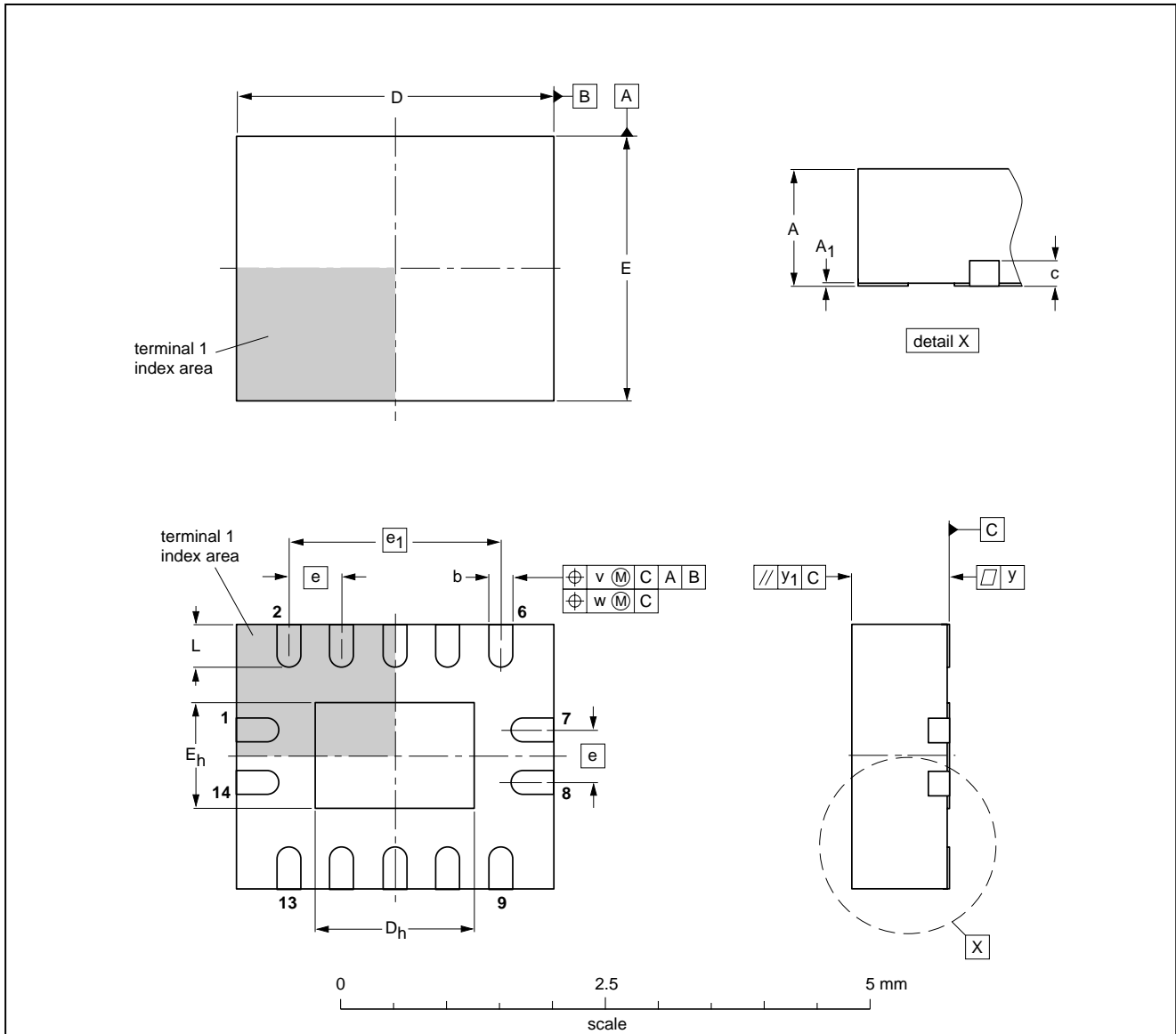
| OUTLINE VERSION | REFERENCES | | | | EUROPEAN PROJECTION | ISSUE DATE |
|-----------------|------------|--------|-------|--|---------------------|----------------------|
| | IEC | JEDEC | JEITA | | | |
| SOT402-1 | | MO-153 | | | | 99-12-27 03-02-18 |

Hex inverter

74HC04; 74HCT04

DHVQFN14: plastic dual in-line compatible thermal enhanced very thin quad flat package; no leads; 14 terminals; body 2.5 x 3 x 0.85 mm

SOT762-1



DIMENSIONS (mm are the original dimensions)

| UNIT | A ⁽¹⁾ max. | A ₁ | b | c | D ⁽¹⁾ | D _h | E ⁽¹⁾ | E _h | e | e ₁ | L | v | w | y | y ₁ |
|------|--------------------------|----------------|--------------|-----|------------------|----------------|------------------|----------------|-----|----------------|------------|-----|------|------|----------------|
| mm | 1 | 0.05 0.00 | 0.30 0.18 | 0.2 | 3.1 2.9 | 1.65 1.35 | 2.6 2.4 | 1.15 0.85 | 0.5 | 2 | 0.5 0.3 | 0.1 | 0.05 | 0.05 | 0.1 |

Note

1. Plastic or metal protrusions of 0.075 mm maximum per side are not included.

| OUTLINE VERSION | REFERENCES | | | EUROPEAN PROJECTION | ISSUE DATE |
|--------------------|------------|--------|-------|------------------------|----------------------|
| | IEC | JEDEC | JEITA | | |
| SOT762-1 | --- | MO-241 | --- | | 02-10-17 03-01-27 |

Hex inverter

74HC04; 74HCT04

DATA SHEET STATUS

| LEVEL | DATA SHEET STATUS ⁽¹⁾ | PRODUCT STATUS ⁽²⁾⁽³⁾ | DEFINITION |
|-------|----------------------------------|----------------------------------|--|
| I | Objective data | Development | This data sheet contains data from the objective specification for product development. Philips Semiconductors reserves the right to change the specification in any manner without notice. |
| II | Preliminary data | Qualification | This data sheet contains data from the preliminary specification. Supplementary data will be published at a later date. Philips Semiconductors reserves the right to change the specification without notice, in order to improve the design and supply the best possible product. |
| III | Product data | Production | This data sheet contains data from the product specification. Philips Semiconductors reserves the right to make changes at any time in order to improve the design, manufacturing and supply. Relevant changes will be communicated via a Customer Product/Process Change Notification (CPCN). |

Notes

1. Please consult the most recently issued data sheet before initiating or completing a design.
2. The product status of the device(s) described in this data sheet may have changed since this data sheet was published. The latest information is available on the Internet at URL <http://www.semiconductors.philips.com>.
3. For data sheets describing multiple type numbers, the highest-level product status determines the data sheet status.

DEFINITIONS

Short-form specification — The data in a short-form specification is extracted from a full data sheet with the same type number and title. For detailed information see the relevant data sheet or data handbook.

Limiting values definition — Limiting values given are in accordance with the Absolute Maximum Rating System (IEC 60134). Stress above one or more of the limiting values may cause permanent damage to the device. These are stress ratings only and operation of the device at these or at any other conditions above those given in the Characteristics sections of the specification is not implied. Exposure to limiting values for extended periods may affect device reliability.

Application information — Applications that are described herein for any of these products are for illustrative purposes only. Philips Semiconductors make no representation or warranty that such applications will be suitable for the specified use without further testing or modification.

DISCLAIMERS

Life support applications — These products are not designed for use in life support appliances, devices, or systems where malfunction of these products can reasonably be expected to result in personal injury. Philips Semiconductors customers using or selling these products for use in such applications do so at their own risk and agree to fully indemnify Philips Semiconductors for any damages resulting from such application.

Right to make changes — Philips Semiconductors reserves the right to make changes in the products - including circuits, standard cells, and/or software - described or contained herein in order to improve design and/or performance. When the product is in full production (status 'Production'), relevant changes will be communicated via a Customer Product/Process Change Notification (CPCN). Philips Semiconductors assumes no responsibility or liability for the use of any of these products, conveys no licence or title under any patent, copyright, or mask work right to these products, and makes no representations or warranties that these products are free from patent, copyright, or mask work right infringement, unless otherwise specified.

Philips Semiconductors – a worldwide company

Contact information

For additional information please visit <http://www.semiconductors.philips.com>. Fax: +31 40 27 24825

For sales offices addresses send e-mail to: sales.addresses@www.semiconductors.philips.com.

© Koninklijke Philips Electronics N.V. 2003

SCA75

All rights are reserved. Reproduction in whole or in part is prohibited without the prior written consent of the copyright owner.

The information presented in this document does not form part of any quotation or contract, is believed to be accurate and reliable and may be changed without notice. No liability will be accepted by the publisher for any consequence of its use. Publication thereof does not convey nor imply any license under patent- or other industrial or intellectual property rights.

Printed in The Netherlands

613508/03/pp20

Date of release: 2003 Jul 23

Document order number: 9397 750 11256

Let's make things better.

**Philips
Semiconductors**



PHILIPS