



HESTORE.HU

elektronikai alkatrész áruház

EN: This Datasheet is presented by the manufacturer.

Please visit our website for pricing and availability at www.hestore.hu.

Ninigi

D A T A S H E E T

U S B P C B R I G H T A N G L E S O C K E T



USBA-2G-x

Contact Plating:

none - Selective Gold
T - Tin
G - Gold Flash
D - Gold 30 U"

Contact Type:

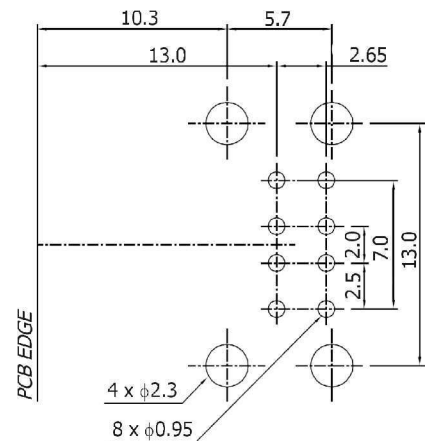
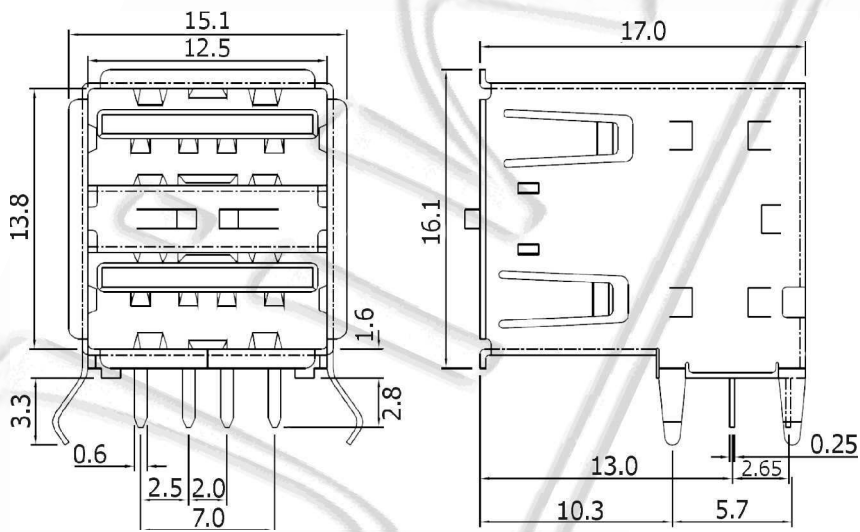
G - Male
F - Female

Double Socket

Function:

A - A Type

USB PCB Right Angle Socket



PCB Layout (bottom view)