



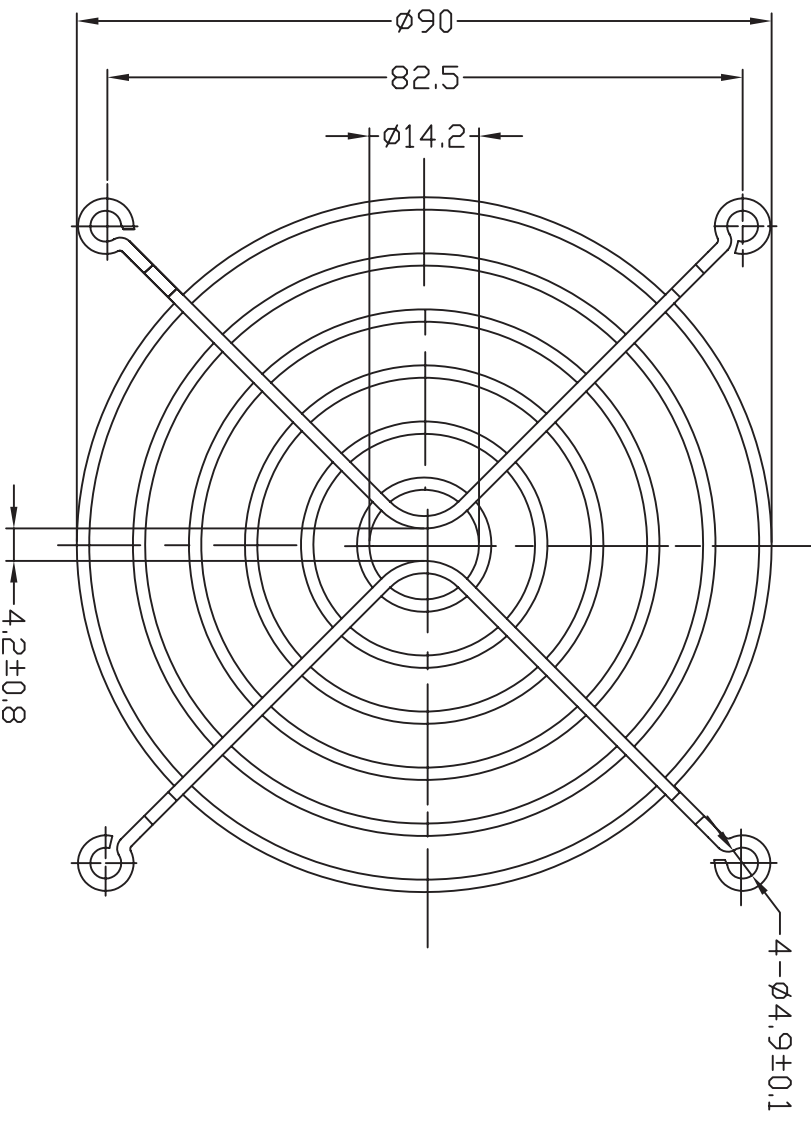
**HESTORE.HU**

elektronikai alkatrész áruház

**EN:** This Datasheet is presented by the manufacturer.

Please visit our website for pricing and availability at [www.hestore.hu](http://www.hestore.hu).

EDITION	DATE	REVISION RECORD	REVISION NO.	APPROVED



- NOTES:
- 1.MATERIAL:C1008 BRIGHT BASIC WIRE.
  - 2.FINISH:BRIGHT NICKEL CHROME.Cr3+
  - 3.(1)RINGS ARE  $\phi$  1.6mm.  
(2)RIBS ARE  $\phi$  1.8mm.
  - 4.WELD JOINTS TO WITHSTAND 88 LBS PULL FORCE.
  - 5.SPACING BETWEEN RINGS TO BE EUQDISTANT 5.66mm.
  - 6.GENERAL TOLERANCE UNLESS NOTED: $\pm$ 0.5mm.
  - 7.PART MEETS  $\phi$  6.35mmPLUG GAUGE TEST.
  - 8.UNIT:mm.

APPROVED	CHECKED	DESIGNED	DRAWN	MATERIAL	SEE NOTES	TITLE	FAN GUARD
SCALE		1/1		FINISH	SEE NOTES	PART NO.	REV
DRAWING DATE							0