

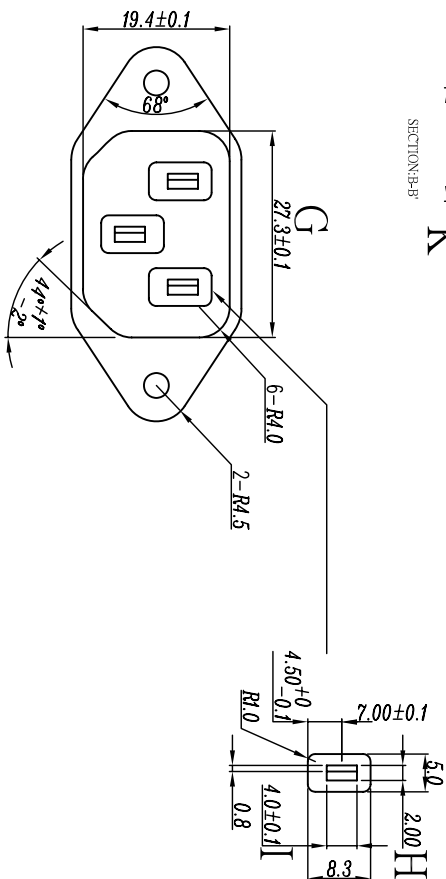
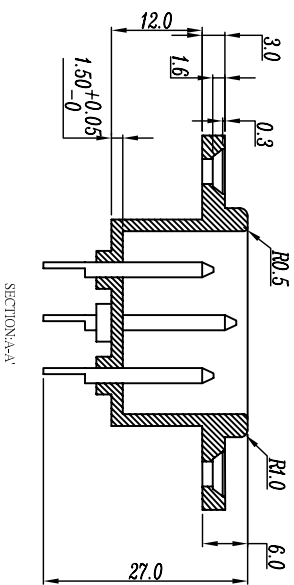
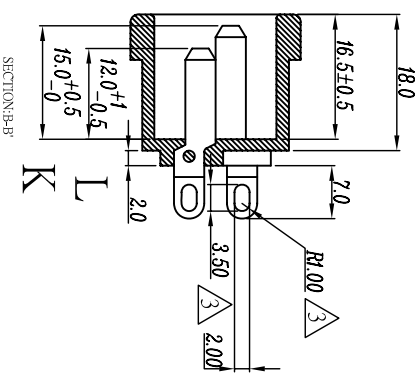
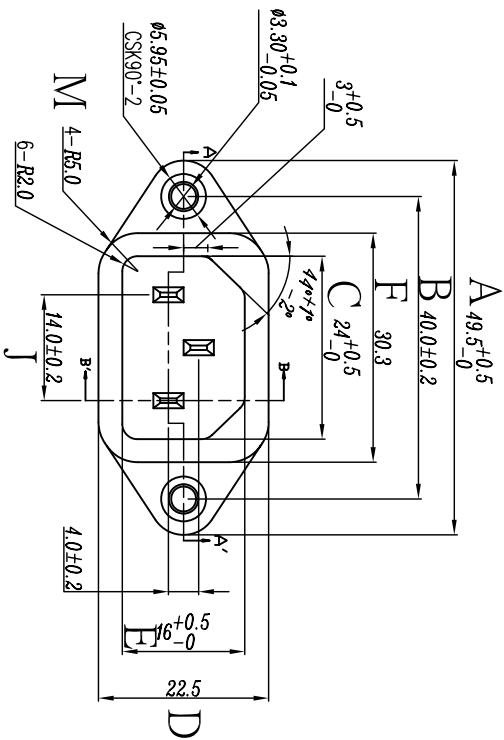
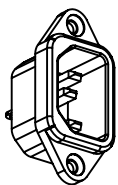


HESTORE.HU

elektronikai alkatrész áruház

EN: This Datasheet is presented by the manufacturer.

Please visit our website for pricing and availability at www.hestore.hu.



NOTE:
MATERIAL: NAN YA 1403G3,PBT WITH 15%GF,UL 94V-0

SPECIFICATION MODEL: KS-101
 △ RATING: 15A 250VAC (UL/ CUL)
 10A 250VAC (VDE/CCC/SEM/KO/
 DEM/KO/FIM/KO/NEM/KO)
 INSULATION RESISTANCE: 100M Ω, DC 500V
 DIELECTRIC STRENGTH: 2000VAC FOR 1 MINUTE
 MEET UL 498 & IEC/EN60320 REQUIREMENTS

REVISION	DESCRIPTION	REVISED BY	TOLERANCES	ANGLE	UNIT	PART NAME	DWG NO
△2005.09.27	增加安規,重新出圖.	孫斌	.X±0.1	.XX ±0.05	mm	KS-101 規格圖 B-277	S0298D
△2005.08.22	標示端子孔尺寸	唐雙軍					
△2005.01.03	修改RATING內容.	余龍					
△2004.04.21	更換圖框,首次出圖	梁春林					