



**HESTORE.HU**

elektronikai alkatrész áruház

**EN:** This Datasheet is presented by the manufacturer.

Please visit our website for pricing and availability at [www.hestore.hu](http://www.hestore.hu).



## DB3 DB4 SMDB3

DIAC

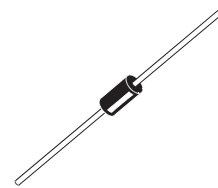
### FEATURES

- $V_{BO}$  : 32V and 40V
- LOW BREAKOVER CURRENT

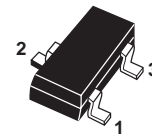
### DESCRIPTION

Functioning as a trigger diode with a fixed voltage reference, the DB3/DB4 series can be used in conjunction with triacs for simplified gate control circuits or as a starting element in fluorescent lamp ballasts.

A new surface mount version is now available in SOT-23 package, providing reduced space and compatibility with automatic pick and place equipment.



DO-35  
(DB3 and DB4)



SOT-23  
(SMDB3)\*  
Pin 1 and 3 must be shorted together

### ABSOLUTE MAXIMUM RATINGS (limiting values)

| Symbol             | Parameter   | Value         | Unit |   |
|--------------------|---|---------------|------|---|
| $I_{TRM}$          | Repetitive peak on-state current<br>$t_p = 20 \mu s$ $F = 120 \text{ Hz}$ | SMDB3         | 1.00 | A |
|                    |   | DB3 / DB4     | 2.00 |   |
| $T_{stg}$<br>$T_j$ | Storage temperature range<br>Operating junction temperature range         | - 40 to + 125 | °C   |   |

Note: \* SMDB3 indicated as Preliminary spec as product is still in development stage.

## DB3 DB4 SMDB3

### ELECTRICAL CHARACTERISTICS (Tj = 25°C unless otherwise specified)

| Symbol                              | Parameter                   | Test Conditions                            | SMDB3 | DB3  | DB4  | Unit |   |
|-------------------------------------|-----------------------------|--|-------|------|------|------|---|
| V <sub>BO</sub>                     | Breakover voltage *         | C = 22nF **                                | MIN.  | 28   | 28   | 35   | V |
|                                     |                             |  | TYP.  | 32   | 32   | 40   |   |
|                                     |                             |  | MAX.  | 36   | 36   | 45   |   |
| V <sub>BO1</sub> - V <sub>BO2</sub> | Breakover voltage symmetry  | C = 22nF **                                | MAX.  | 3    |      | V    |   |
| ΔV                                  | Dynamic breakover voltage * | V <sub>BO</sub> and V <sub>F</sub> at 10mA | MIN.  | 10   | 5    | V    |   |
| V <sub>O</sub>                      | Output voltage *            | see diagram 2 (R=20Ω)                      | MIN.  | 10   | 5    | V    |   |
| I <sub>BO</sub>                     | Breakover current *         | C = 22nF **                                | MAX.  | 10   | 50   | μA   |   |
| t <sub>r</sub>                      | Rise time *                 | see diagram 3                              | MAX.  | 0.50 | 2    | μs   |   |
| I <sub>R</sub>                      | Leakage current *           | V <sub>R</sub> = 0.5 V <sub>BO</sub> max   | MAX.  | 1    | 10   | μA   |   |
| I <sub>P</sub>                      | Peak current *              | see diagram 2 (Gate)                       | MIN.  | 1    | 0.30 | A    |   |

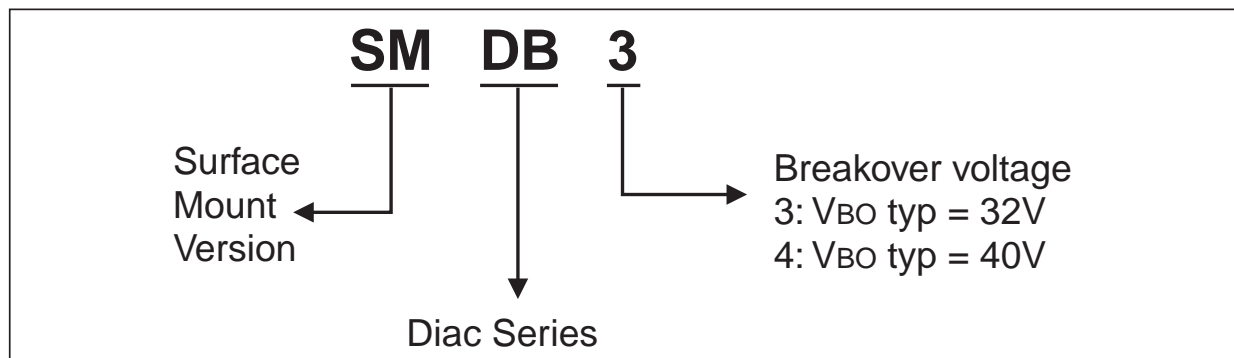
\* Applicable to both forward and reverse directions.

\*\* Connected in parallel to the device.

### PRODUCT SELECTOR

| Part Number | V <sub>BO</sub> | Package |
|-------------|-----------------|---------|
| SMDB3       | 28 - 36         | SOT-23  |
| DB3         | 28 - 36         | DO-35   |
| DB4         | 35 - 45         | DO-35   |

### ORDERING INFORMATION



OTHER INFORMATION

| Part Number | Marking              | Weight | Base Quantity | Packing Mode |
|-------------|----------------------|--------|---------------|--------------|
| SMDB3       | DB3                  | 0.01 g | 3000          | Tape & Reel  |
| DB3         | DB3 (Blue Body Coat) | 0.15 g | 5000          | Tape & Reel  |
| DB4         | DB4 (Blue Body Coat) | 0.15 g | 5000          | Tape & Reel  |

Diagram 1: Voltage - current characteristic curve.

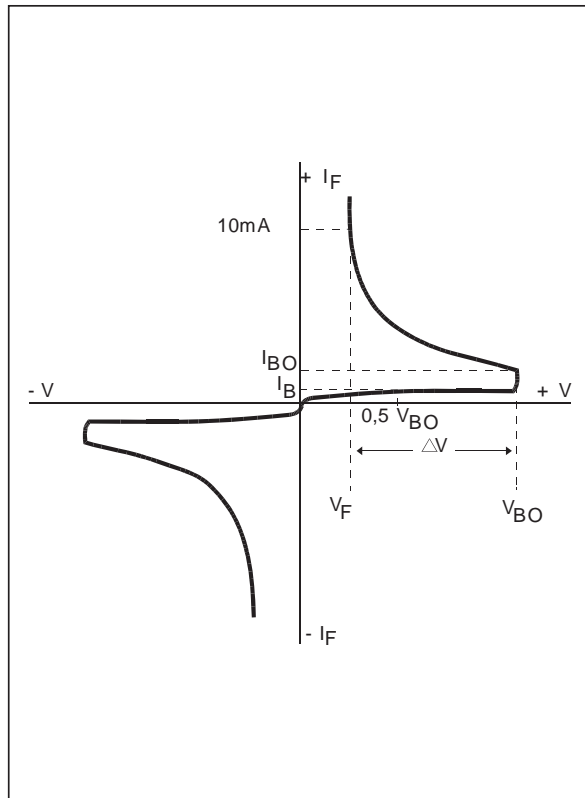


Diagram 2: Test circuit.

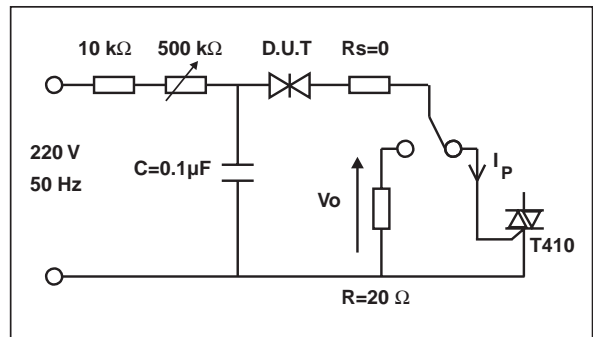
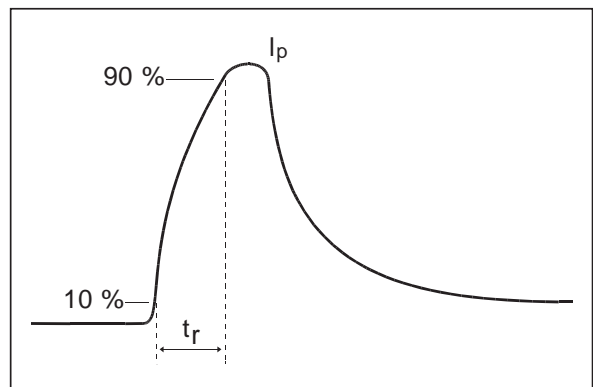
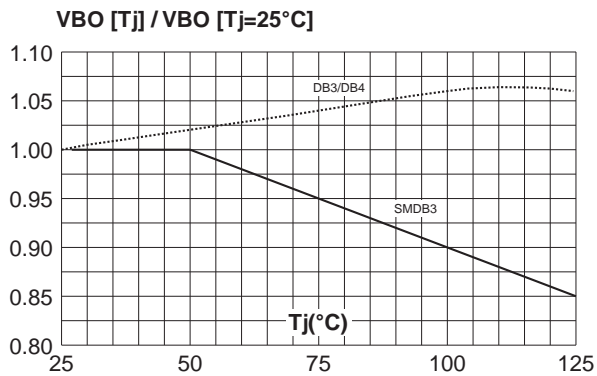


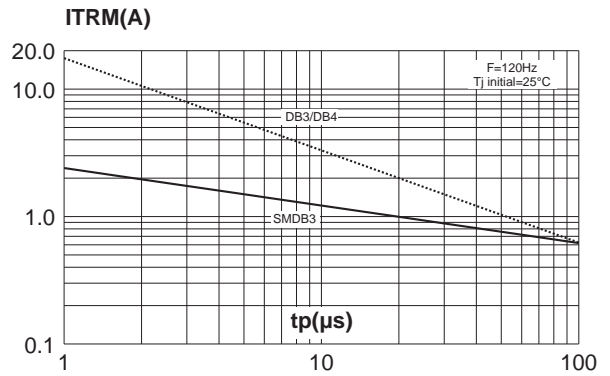
Diagram 3: Rise time measurement.



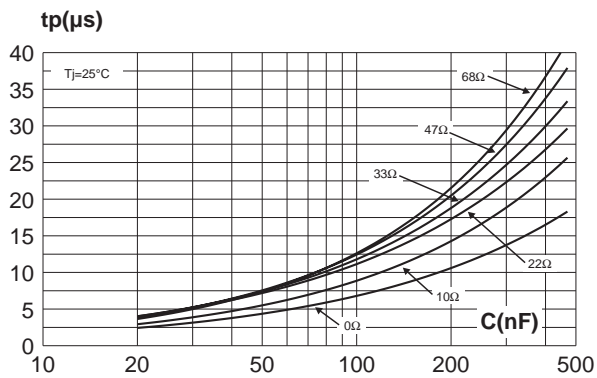
**Fig. 1:** Relative variation of VBO versus junction temperature (typical values).



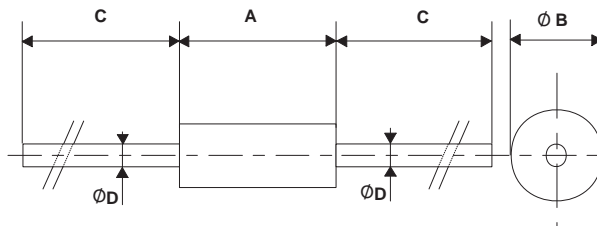
**Fig. 2:** Repetitive peak pulse current versus pulse duration (maximum values).



**Fig. 3:** Time duration while current pulse is higher 50mA versus C and Rs (typical values).



**PACKAGE MECHANICAL DATA (in millimeters)**  
DO-35



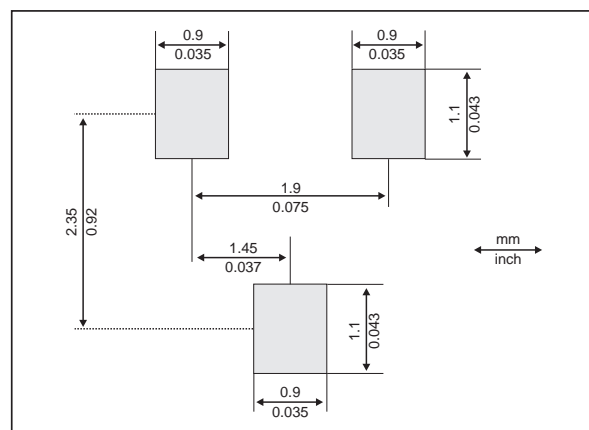
| REF. | DIMENSIONS  |       |        |       |
|------|-------------|-------|--------|-------|
|      | Millimeters |       | Inches |       |
|      | Min.        | Max.  | Min.   | Max.  |
| A    | 3.05        | 4.50  | 0.120  | 0.177 |
| B    | 1.53        | 2.00  | 0.060  | 0.079 |
| C    | 28.00       |       | 1.102  |       |
| D    | 0.458       | 0.558 | 0.018  | 0.022 |

## PACKAGE MECHANICAL DATA (in millimeters)

## SOT-23

| REF. | DIMENSIONS  |      |            |       |
|------|-------------|------|------------|-------|
|      | Millimeters |      | Inches     |       |
|      | Min.        | Max. | Min.       | Max.  |
| A    | 0.89        | 1.4  | 0.035      | 0.055 |
| A1   | 0           | 0.1  | 0          | 0.004 |
| B    | 0.3         | 0.51 | 0.012      | 0.02  |
| c    | 0.085       | 0.18 | 0.003      | 0.007 |
| D    | 2.75        | 3.04 | 0.108      | 0.12  |
| e    | 0.85        | 1.05 | 0.033      | 0.041 |
| e1   | 1.7         | 2.1  | 0.067      | 0.083 |
| E    | 1.2         | 1.6  | 0.047      | 0.063 |
| H    | 2.1         | 2.75 | 0.083      | 0.108 |
| L    | 0.6 typ.    |      | 0.024 typ. |       |
| S    | 0.35        | 0.65 | 0.014      | 0.026 |

## FOOTPRINT



Information furnished is believed to be accurate and reliable. However, STMicroelectronics assumes no responsibility for the consequences of use of such information nor for any infringement of patents or other rights of third parties which may result from its use. No license is granted by implication or otherwise under any patent or patent rights of STMicroelectronics. Specifications mentioned in this publication are subject to change without notice. This publication supersedes and replaces all information previously supplied. STMicroelectronics products are not authorized for use as critical components in life support devices or systems without express written approval of STMicroelectronics.

The ST logo is a registered trademark of STMicroelectronics

© 2001 STMicroelectronics - Printed in Italy - All rights reserved.

STMicroelectronics GROUP OF COMPANIES

Australia - Brazil - China - Finland - France - Germany - Hong Kong - India - Italy - Japan - Malaysia  
Malta - Morocco - Singapore - Spain - Sweden - Switzerland - United Kingdom - U.S.A.

<http://www.st.com>