



**HESTORE.HU**

elektronikai alkatrész áruház

**EN:** This Datasheet is presented by the manufacturer.

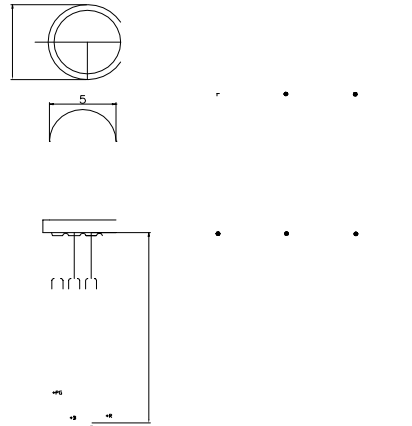
Please visit our website for pricing and availability at [www.hestore.hu](http://www.hestore.hu).

**■Features**

- High Luminous Output
- 5mm Standard Directivity
- Superior Weather-resistance
- White Clear Type

**■Applications**

- Toys
- Games
- Audio

**■Outline Dimension**

**■Absolute Maximum Rating**
**(Ta=25 P)**

	D	120	mW
Operating Temperature	Topr	-30 ~ +80	

--	--	--	--

**■Electrical -Optical Characteristics**
**(Ta=25bol)**

		Condition	Min.	Typ.	Max.	Unit
DC Forward Voltage	V <sub>F</sub> (R)	I <sub>F</sub> =20mA	1.8	2.0	2.4	V
	V <sub>F</sub> (B/G)	I <sub>F</sub> =20mA	2.8	3.4	4.0	V
DC Reverse Current	I <sub>R</sub>	V <sub>R</sub> =5V	-	-	10	μA
Domi. Wavelength	λ <sub>D</sub> (Red)	I <sub>F</sub> =20mA	635	640	645	nm
	λ <sub>D</sub> (Green)	I <sub>F</sub> =20mA	520	525	530	nm
	λ <sub>D</sub> (Blue)	I <sub>F</sub> =20mA	465	470	475	nm
Luminous Intensity	I <sub>v</sub> (Red)	I <sub>F</sub> =20mA	1560	2180	3000	mcd
	I <sub>v</sub> (Green)	I <sub>F</sub> =20mA	4200	5800	7000	mcd
	I <sub>v</sub> (Blue)	I <sub>F</sub> =20mA	2180	3000	4200	mcd
50% Power Angle	2θ <sub>1/2</sub>	I <sub>F</sub> =20mA	-	30	-	deg

**LED & Application Technologies**