



**HESTORE.HU**

elektronikai alkatrész áruház

**EN:** This Datasheet is presented by the manufacturer.

Please visit our website for pricing and availability at [www.hestore.hu](http://www.hestore.hu).

L-36BGD GREEN

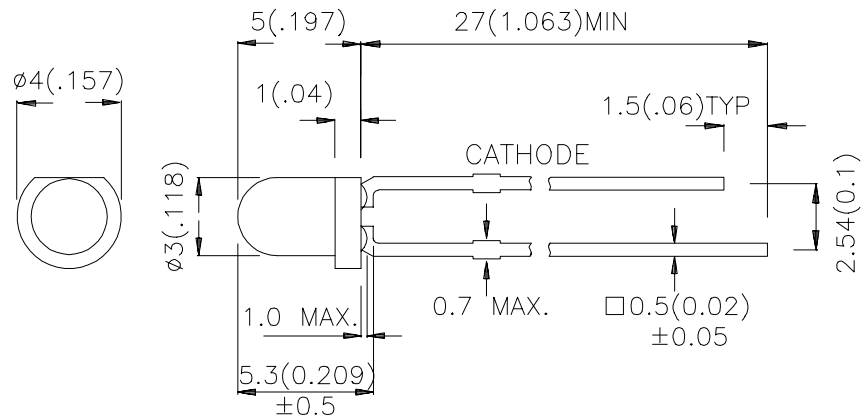
### Features

- T-1 PACKAGE .
- WITH BUILT-IN BLINKING IC.
- OPERATION VOLTAGE FROM 3.5V TO 14V.
- BLINKING FREQUENCY FROM 3.0Hz TO 1.5Hz.

### Description

The Green source color devices are made with Gallium Phosphide Green Light Emitting Diode.

### Package Dimensions



#### Notes:

1. All dimensions are in millimeters (inches).
2. Tolerance is  $\pm 0.25(0.01)$ " unless otherwise noted.
3. Lead spacing is measured where the lead emerge package.
4. Specifications are subject to change without notice.

## Selection Guide

Part No.	Dice	Lens Type	Iv (mcd) V=9V		Viewing Angle
			Min.	Typ.	2θ1/2
L-36BGD	GREEN (GaP)	GREEN DIFFUSED	5	15	60°

Note:

1. θ1/2 is the angle from optical centerline where the luminous intensity is 1/2 the optical centerline value.

## Electrical / Optical Characteristics at T<sub>A</sub>=25°C

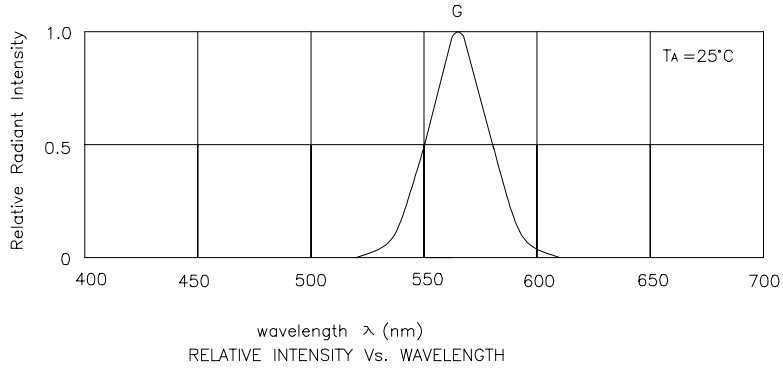
Symbol	Parameter	Device	Min	Typ	Units	Test Conditions
λ <sub>peak</sub>	Peak Wavelength	Green		565	nm	
λ <sub>D</sub>	Dominate Wavelength	Green		568	nm	
Δλ <sub>1/2</sub>	Spectral Line Half-width	Green		30	nm	
I <sub>F</sub>	Forward Current	Green	8	22	mA	Min :V <sub>F</sub> =3.5V Typ :V <sub>F</sub> =5V
I <sub>SON</sub>	Supply Current	Green		8	mA	V <sub>F</sub> =3.5V
I <sub>SON</sub>	Supply Current	Green		44	mA	V <sub>F</sub> =14V
f	Blink Frequency	Green		3	Hz	V <sub>F</sub> =3.5V
f	Blink Frequency	Green		1.5	Hz	V <sub>F</sub> =14V

## Absolute Maximum Ratings at T<sub>A</sub>=25°C

Parameter	Green	Units
Power dissipation	310	mW
Forward Voltage (max.)	14	V
Reverse Voltage	0.5	V
Operating Temperature	-40°C To +70°C	
Storage Temperature	-40°C To +85°C	
Lead Solder Temperature [1]	260°C For 5 Seconds	

Note:

1. 2mm below package base.



## Green L-36BGD

