



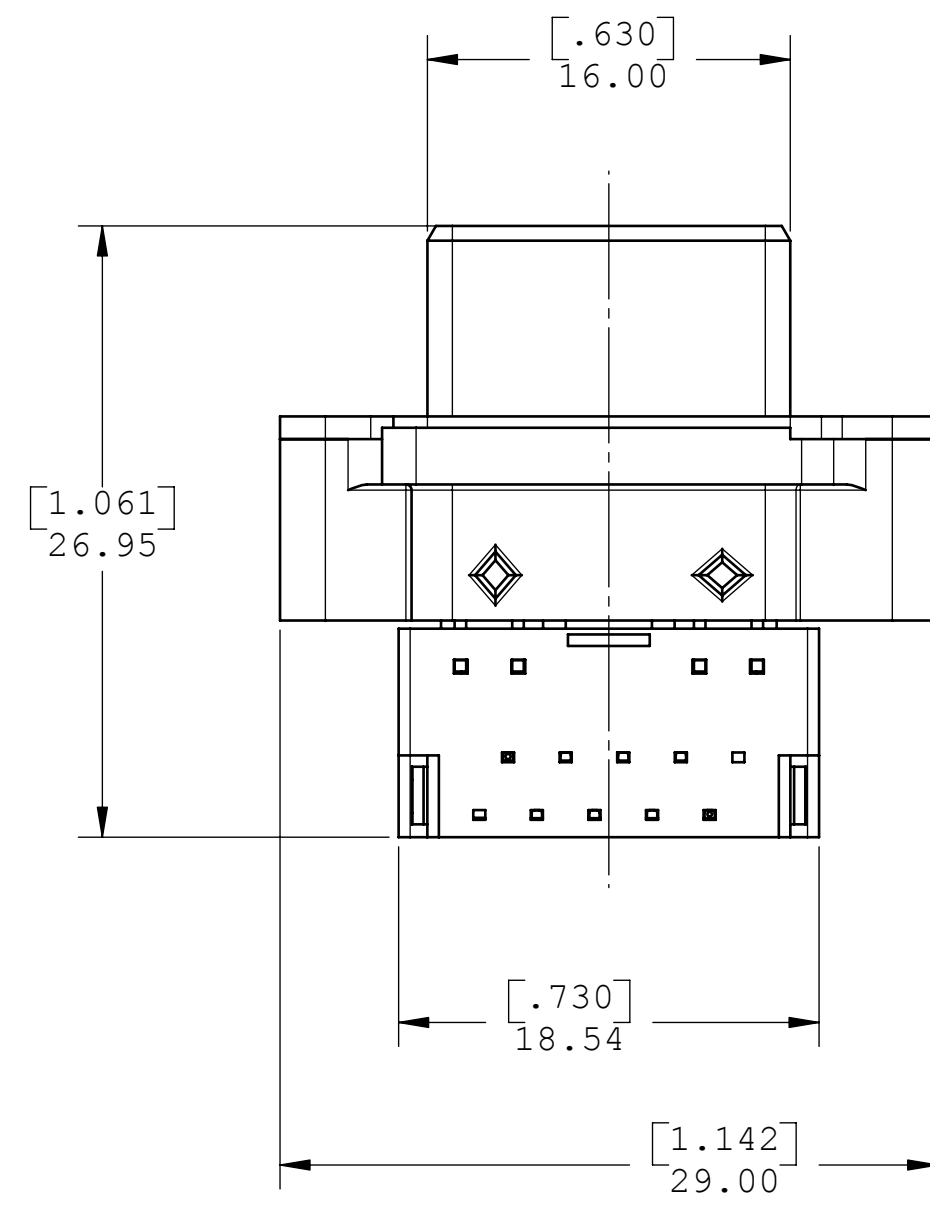
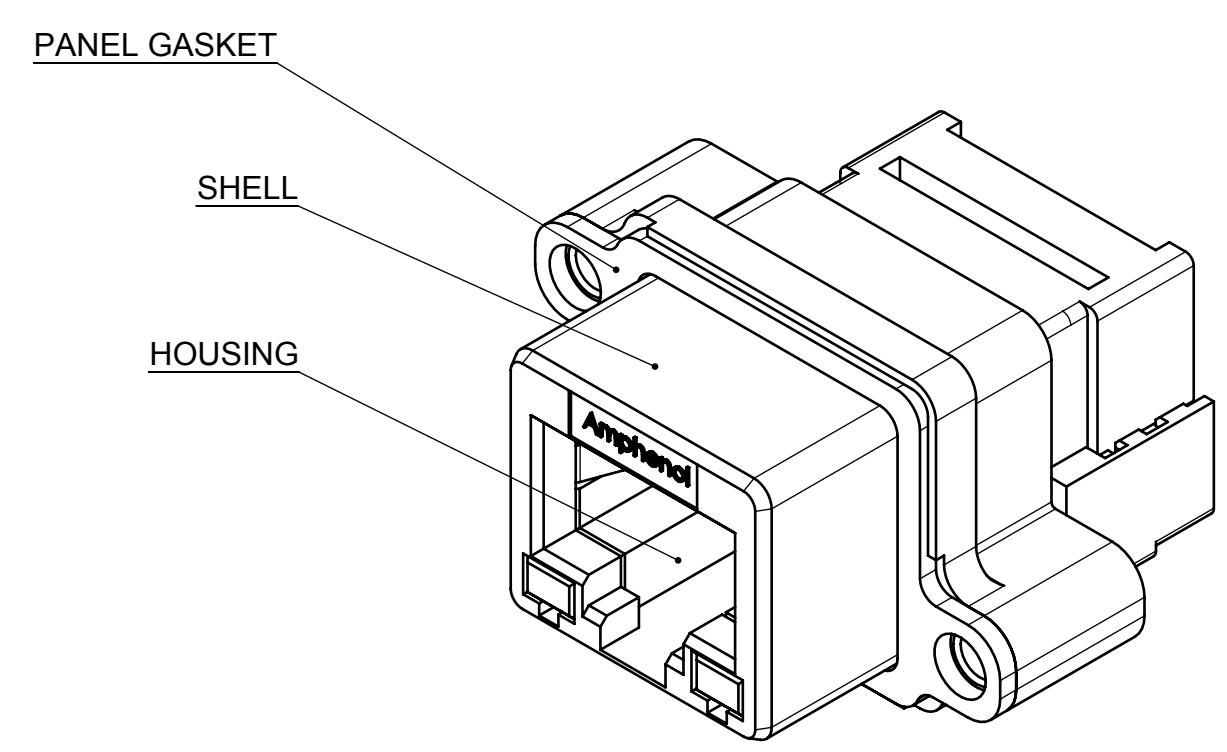
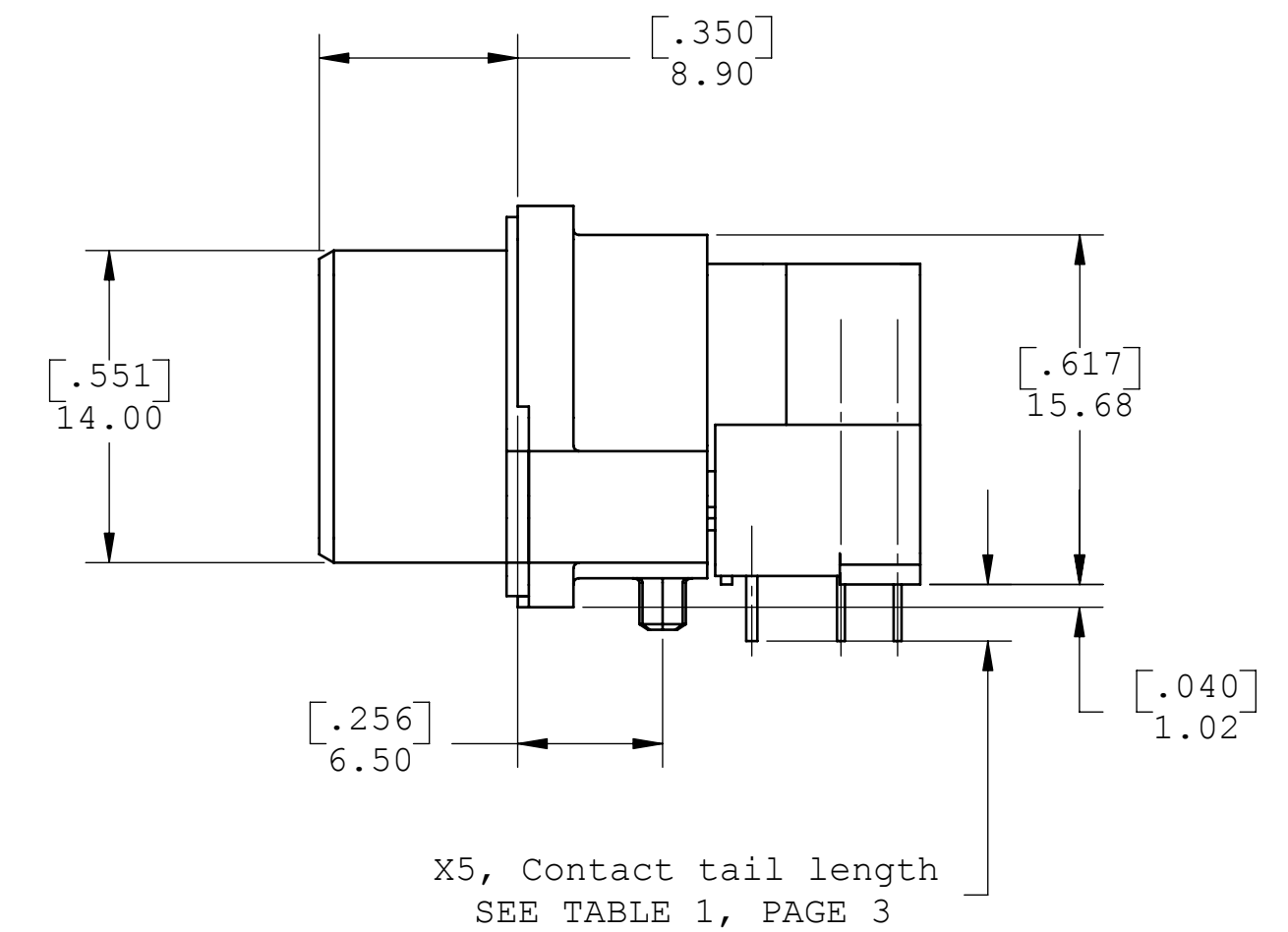
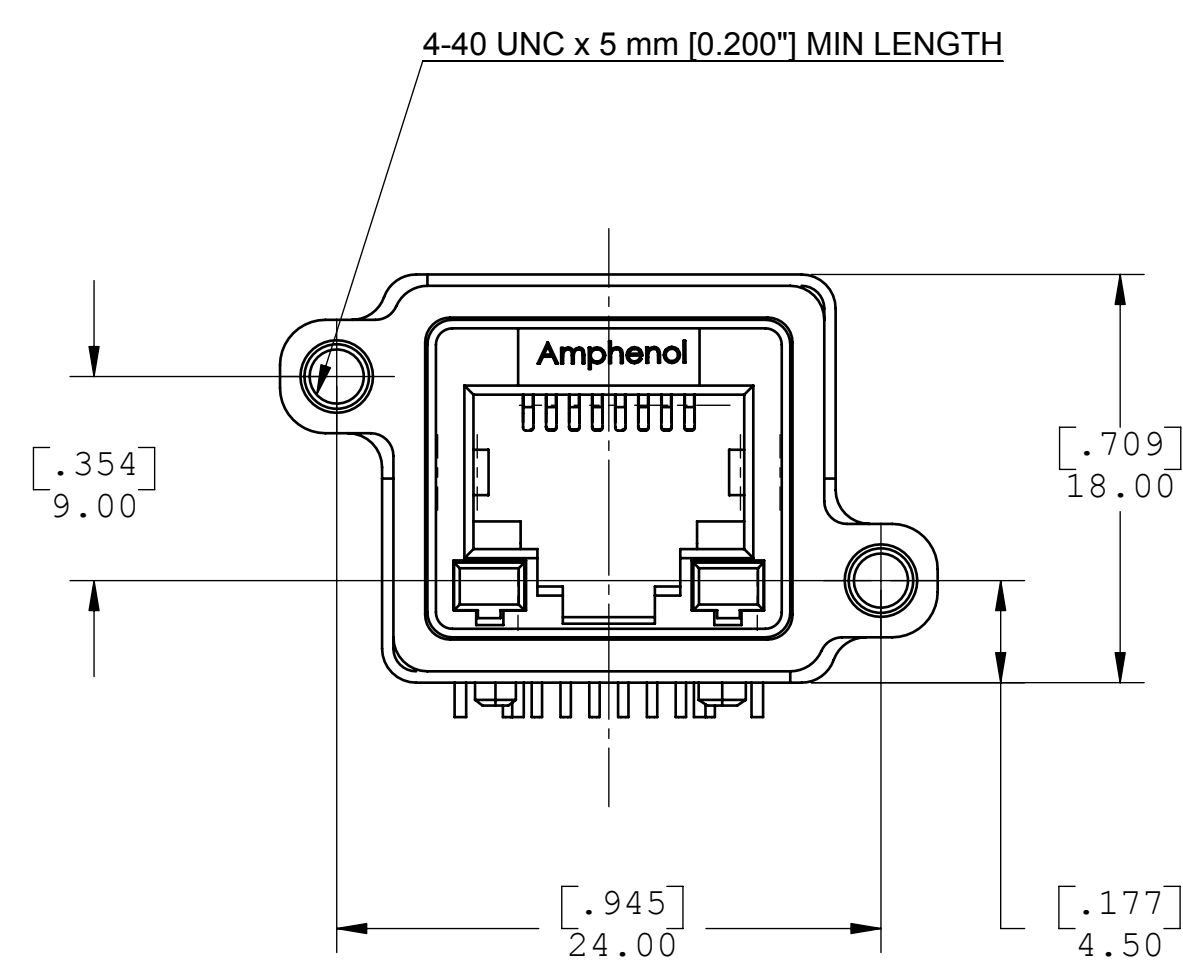
HESTORE.HU

elektronikai alkatrész áruház

EN: This Datasheet is presented by the manufacturer.

Please visit our website for pricing and availability at www.hestore.hu.

REV	DESCRIP	DATE	APPRVD



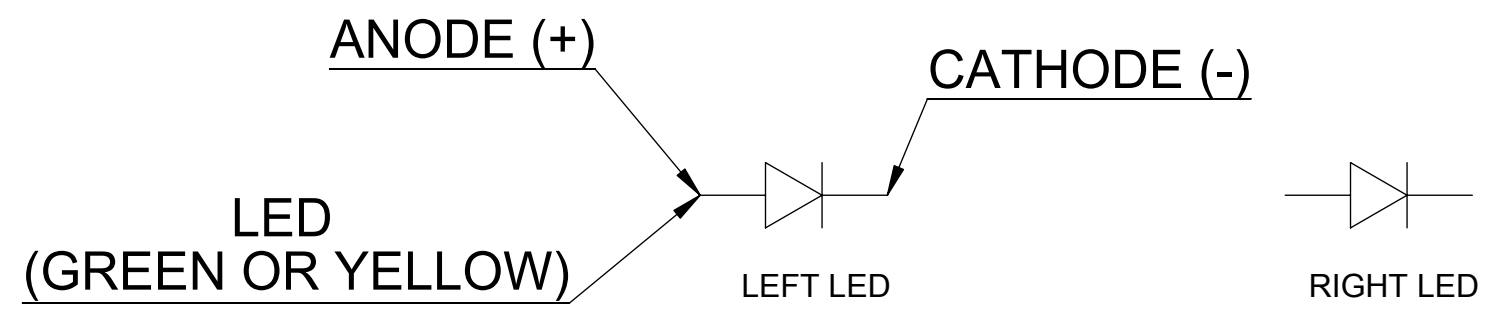
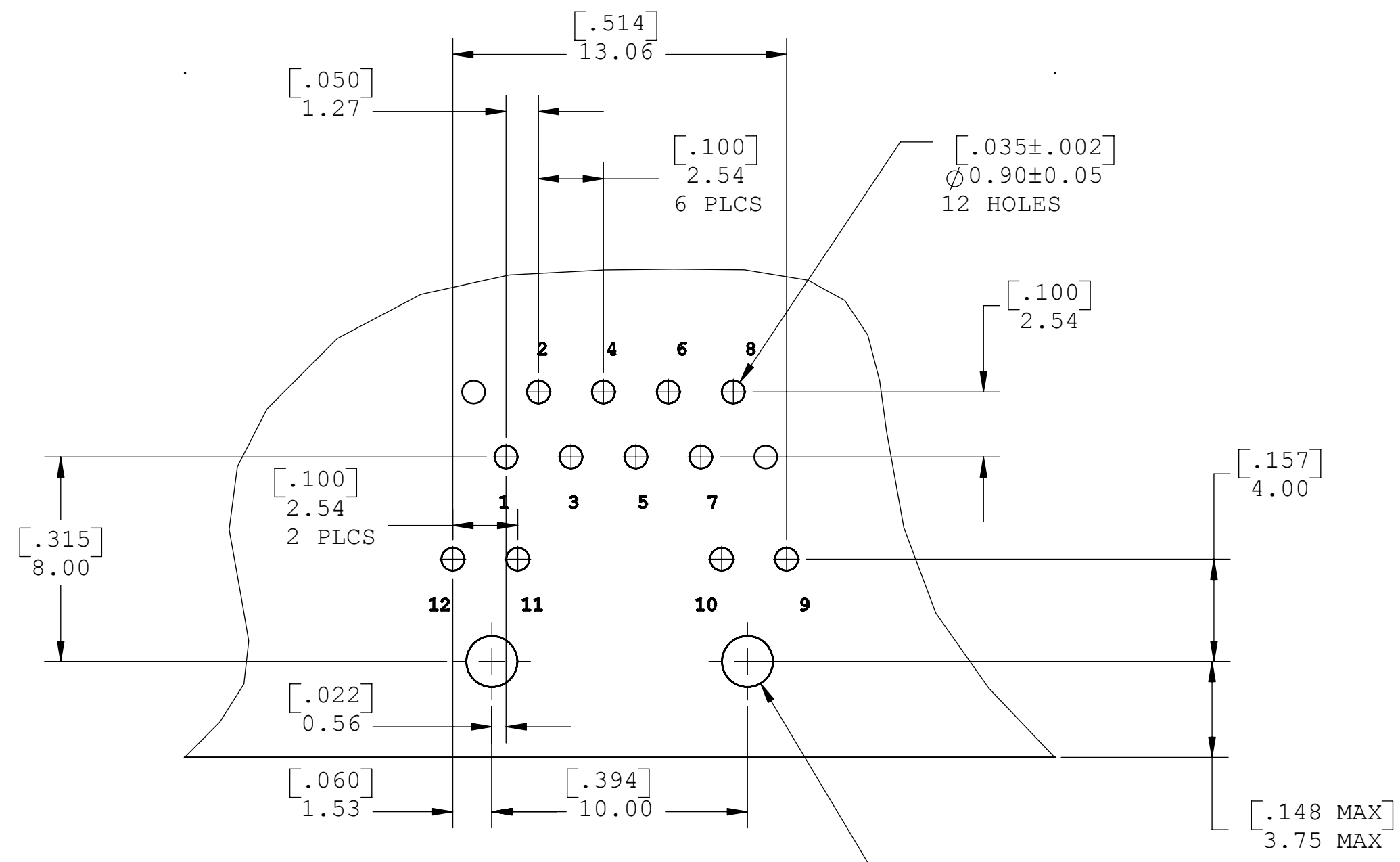
NOTES:

- MATERIAL:**
 - SHELL: ZINC ALLOY DIE CAST, 1.27 MICRONS [50 MICRO"] MIN NICKEL OVERALL.
 - HOUSING: HIGH TEMPERATURE THERMOPLASTIC, GLASS FILLED. FLAMMABILITY RATING UL94V-0, COLOR - BLACK.
 - CONTACTS: PHOSPHOR BRONZE,
 - CONTACTS MATING AREA FINISH: 1.27 MICRONS [50 MICRO"] GOLD, OVER NICKEL.
 - CONTACTS SOLDER TAILS FINISH:
 - 4-16 MICRONS [100-400 MICRO"] MATTE TIN - FOR STANDARD CONNECTOR (RoHS COMPLIANT).
 - 2.54 MICRONS [100 MICRO"] TIN-LEAD - FOR SPECIAL VERSION.
 - GROUNDING: COPPER ALLOY, NICKEL PLATED
 - GASKET: SILICONE RUBBER.
- FEATURE:** SEALED CONNECTOR IN THE MATED AND UNMATED CONDITIONS.
- OPERATING TEMPERATURE:** -40°C TO +105°C.
- ENVIRONMENT PERFORMANCE:** IP67.
- ALL COMPONENTS AND MATERIALS USED FOR CONNECTOR AND PACKAGING ARE ROHS COMPLIANT PER EU DIRECTIVE 2002/95/EC AND AMENDMENTS.**

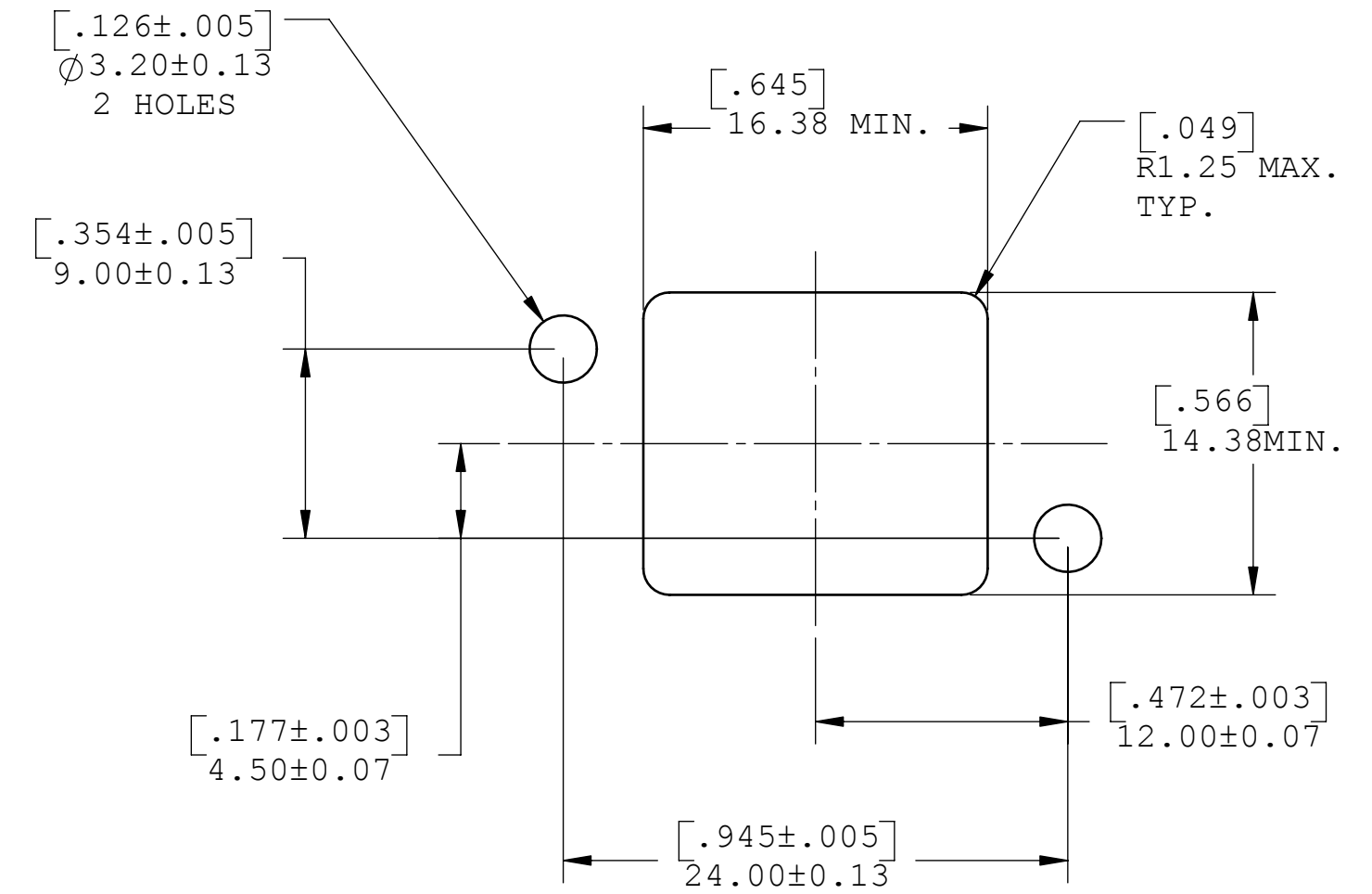


UNLESS OTHERWISE SPECIFIED DIMENSIONS ARE IN MILLIMETER TOLERANCES ARE:		APPROVALS	DATE	Amphenol Canada Corp.	
DECIMALS	ANGLES	DRAWN	NOV11/04		
.XX ± .10	± 1°	S.SEMENOV		TITLE RJ45 RECEPTACLE PCB MOUNT, RIGHT ANGLE	
.X ± .25		DESIGNED	NOV11/04		
MATERIAL AND FINISH		CHECKED		SIZE	DWG. NO.
		QA APP'D		C	P-MRJ-53XX-X1
REF.		IE APP'D		REV.	4A
CODE IDENT. NO.		DWG APP'D	NOV11/04	SCALE	PROJECT
		A.GREEN		1:0.333333MRJ	SHEET
					1 OF 3

DO NOT SCALE DRAWING
THIS DOCUMENT CONTAINS PROPRIETARY INFORMATION AND SUCH INFORMATION MAY NOT BE DISCLOSED TO OTHERS FOR ANY PURPOSE OR USED FOR MANUFACTURING PURPOSES WITHOUT PERMISSION FROM AMPHENOL CANADA CORP.



$[\ .079\pm.002]$
 $\varnothing 2.00\pm 0.05$
 2 LOCATE HOLES ARE BASIC FOR POSITION DIMENSIONS

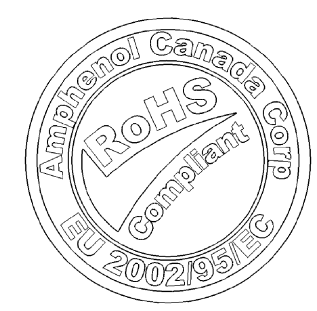


RECOMMENDED P.C.B. LAYOUT

RECOMMENDED PANEL CUTOUT

LED CONTACTS ASSIGNMENT	
ANODE (+)	CATHODE (-)
10, 12	9, 11

X4 - LED OPTION	LEFT LED	RIGHT LED
0	NO	NO
1	GREEN	YELLOW
4	YELLOW	GREEN
5	GREEN	GREEN

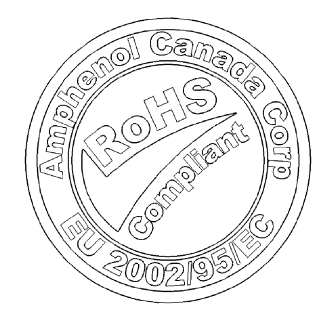


UNLESS OTHERWISE SPECIFIED DIMENSIONS ARE IN MILLIMETER TOLERANCES ARE: DECIMALS ANGLES .XX ± .10 ± 1° .X ± .25	APPROVALS	DATE	Amphenol Canada Corp.		
	DRAWN S.SEMENOV	NOV11/04			
	DESIGNED S.SEMENOV	NOV11/04			
	CHECKED				
MATERIAL AND FINISH	QA APP'D		TITLE RJ45 RECEPTACLE PCB MOUNT, RIGHT ANGLE		
REF.	IE APP'D		SIZE C	DWG. NO. P-MRJ-53XX-X1	REV. 4A
CODE IDENT. NO.	DWG APP'D A.GREEN	NOV11/04	SCALE 1:0.333333MRJ	PROJECT	SHEET 2 OF 3

REV - DESCRIPT - DATE - APPRVD

TABLE 1

MRJ CONNECTOR	
PRODUCT NUMBERING SYSTEM	
MRJ - X1 X2 X3 X4 - X5 X6	
MRJ	- Connector designation
X1	- Version
5	- Receptacle
6	- Receptacle, with EMI filter
7	- Receptacle, with Transient Voltage Protection
X2	- Termination
1	- PCB mount, vertical, with dust cover
2	- PCB mount, vertical, with RJ45 termination
3	- PCB mount, right angle
4	- PCB mount, vertical, no dust cover
5	- PCB mount, right angle, with cable header
7	- PCB mount, right angle, with RJ45 termination
9	- PCB mount, right angle, with terminal block
A	- PCB mount, right angle, with cable header board, no header
X3	- Number of contacts
8	- 8 contacts
A	- 10 contacts
X4	- LED options
0	- No LEDs
1	- Yellow right, green left
4	- Green right, yellow left
5	- Green right, green left
X5	- Contact tail length
0	- 2.54 mm [0.100"], standard
A	- 3.30 mm [0.130"]
B	- 3.82 mm [0.150"]
C	- 4.32 mm [0.170"]
X6	- Number of ports, options
1	- 1 port
2	- 2 ports
3	- 3 ports
4	- 4 ports
F	- 1 port, shell with threaded lug



UNLESS OTHERWISE SPECIFIED DIMENSIONS ARE IN MILLIMETER TOLERANCES ARE:		APPROVALS	DATE	Amphenol Canada Corp.	
DECIMALS	ANGLES	DRAWN	NOV11/04		
.XX ± .10	± 1°	S.SEMENOV		TITLE RJ45 RECEPTACLE PCB MOUNT, RIGHT ANGLE	
.X ± .25		DESIGNED	NOV11/04		
MATERIAL AND FINISH		CHECKED		SIZE	DWG. NO.
		QA APP'D		C	P-MRJ-53XX-X1
REF.		IE APP'D		REV.	4A
CODE IDENT. NO.		DWG APP'D	NOV11/04	SCALE	PROJECT
		A.GREEN		1:1	MRJ
					SHEET
					3 OF 3

DO NOT SCALE DRAWING
THIS DOCUMENT CONTAINS PROPRIETARY INFORMATION AND SUCH INFORMATION MAY NOT BE DISCLOSED TO OTHERS FOR ANY PURPOSE
OR USED FOR MANUFACTURING PURPOSES WITHOUT PERMISSION FROM AMPHENOL CANADA CORP.