



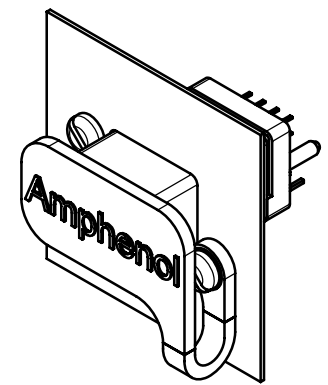
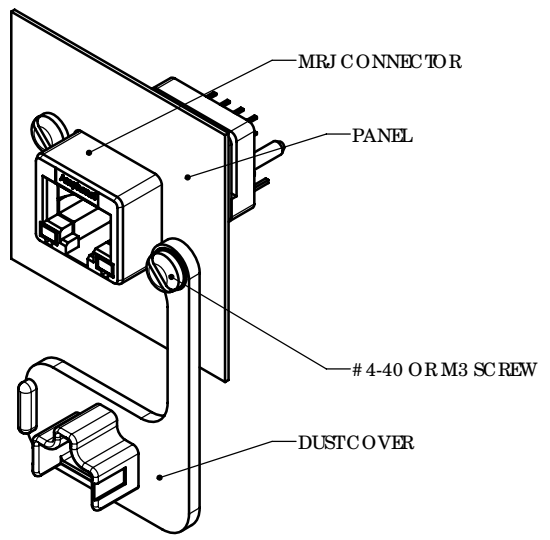
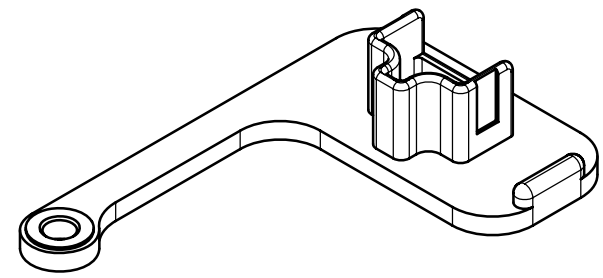
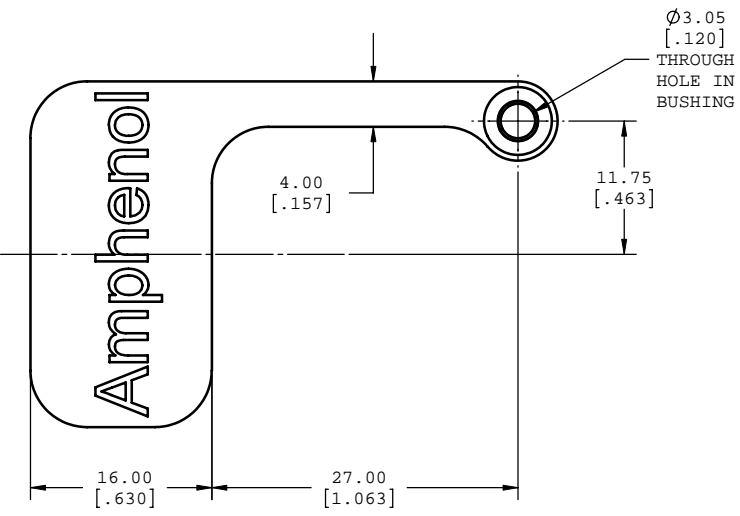
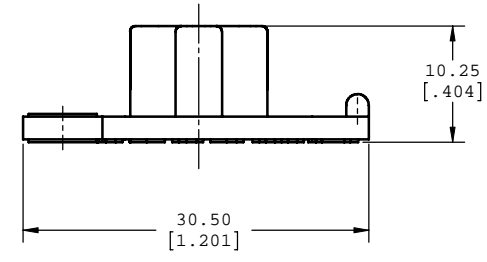
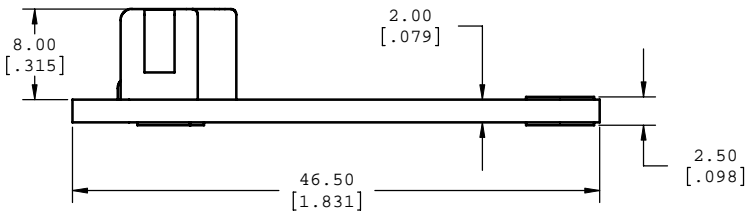
HESTORE.HU

elektronikai alkatrész áruház

EN: This Datasheet is presented by the manufacturer.

Please visit our website for pricing and availability at www.hestore.hu.

REVISIONS			
REV	ECN, ERN NO.	DATE	APPRD.
A	PRODUCT DRAWING	JUN28/07	KL
B	ADD MRJ-2586-20BP (EAR 13215)	FEB07/08	KL



AMPHENOL PART NUMBER	COVER COLOR
MRJ-2586-10BP	GREY
MRJ-2586-20BP	BLACK

NOTES:

- MATERIAL:
 - DUST COVER - SILICONE RUBBER, COLOR - SEE CHART.
 - BUSHING - BRASS, NICKEL PLATED.
- OPERATING TEMPERATURE: -40°C TO +105°C.
- PART IS ROHS COMPLIANT PER EU DIRECTIVE 2002/95/EC AND AMENDMENTS.
- PART SUPPLIED BULK PACKED.

**TYPICAL APPLICATION MRJ CONNECTOR WITH DUST COVER
SCALE 2:1**

DO NOT SCALE DRAWING
THIS DOCUMENT CONTAINS PROPRIETARY INFORMATION AND SUCH INFORMATION MAY NOT BE DISCLOSED TO OTHERS FOR ANY PURPOSE OR USED FOR MANUFACTURING PURPOSES WITHOUT PERMISSION FROM AMPHENOL CANADA CORP.

PROPRIETARY AND CONFIDENTIAL
THIS DOCUMENT CONTAINS PROPRIETARY INFORMATION AND SUCH INFORMATION MAY NOT BE DISCLOSED TO OTHERS FOR ANY PURPOSE OR USED FOR MANUFACTURING PURPOSES WITHOUT PERMISSION FROM AMPHENOL CANADA CORP.

UNLESS OTHERWISE SPECIFIED:		DATE	Amphenol Canada Corp.
DIMENSIONS ARE IN MILLIMETERS	DRAWN A. DODDS	JUN28/07	
FRACTIONAL ANGULAR MATCH BEND ± TWO PLACES DECIMAL ± THREE PLACES DECIMAL ±	DESIGNED		TITLE MRJ SERIES DUST COVER FOR RECEPTACLE CONNECTOR, INTERNAL STYLE, ROHS COMPLIANT
	CHECKED KLAMBER	JUN28/07	
	DATE		SIZE DWG. NO. REV CP-MRJ-2586-X0BP B
	Q. A. APP'D		
	DATE		SCALE 3:1 WEIGHT SHEET 1 OF 1
	ING. REG. NO. EAR E13132		
NEXT ASSY USED ON	REF		
APPLICATION	DO NOT SCALE DRAWING	CODED NO.	
		DIMENSIONS ARE IN MILLIMETERS	