

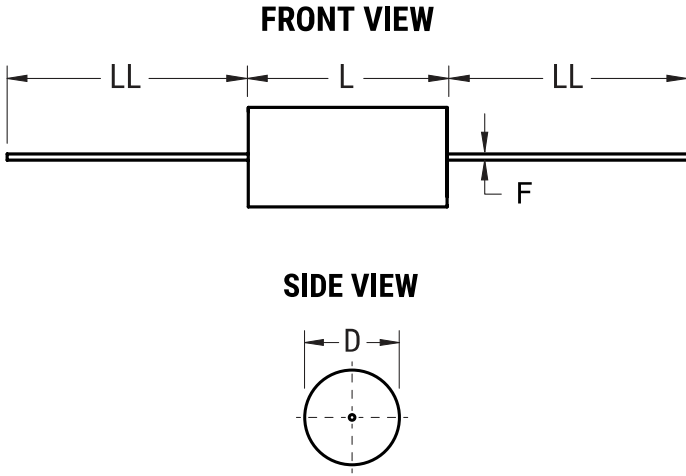


HESTORE.HU

elektronikai alkatrész áruház

EN: This Datasheet is presented by the manufacturer.

Please visit our website for pricing and availability at www.hestore.hu.



Click [here](#) for the 3D model.

General Information

Series	C4C
Dielectric	Metallized Polypropylene
Style	Axial
RoHS	Yes
Lead	Wire Leads
Typical Component Weight	19 g
Miscellaneous	Polyester Tape & Resin Protection.

Dimensions

D	23mm NOM
L	44mm NOM
LL	40mm +/-5mm
F	1mm NOM

Packaging Specifications

Packaging	Bulk, Bag
Packaging Quantity	70

Specifications

Capacitance	0.47 uF
Tolerance	5%
Voltage DC	1200 VDC
Voltage AC	500 VAC
Temperature Range	-40/+85°C
Rated Temperature	70°C
Dissipation Factor	0.05%
Max dV/dt	450 V/us
ESR	5.6 mOhms (100kHz)
Ripple Current	9 Amps (100kHz 70C), 212 Amps (Peak)

Statements of suitability for certain applications are based on our knowledge of typical operating conditions for such applications, but are not intended to constitute - and we specifically disclaim - any warranty concerning suitability for a specific customer application or use. This Information is intended for use only by customers who have the requisite experience and capability to determine the correct products for their application. Any technical advice inferred from this Information or otherwise provided by us with reference to the use of our products is given gratis, and we assume no obligation or liability for the advice given or results obtained.