

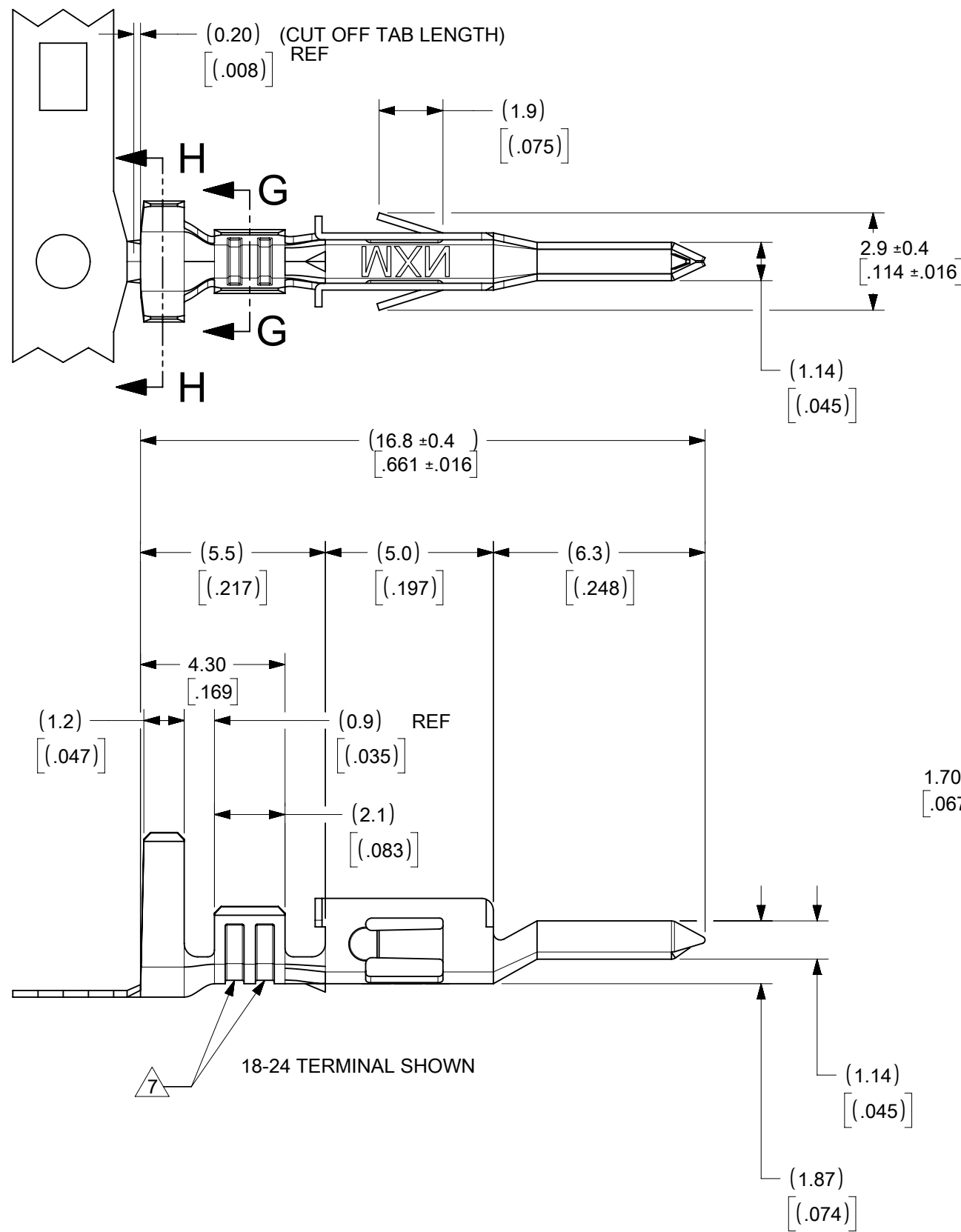


HESTORE.HU

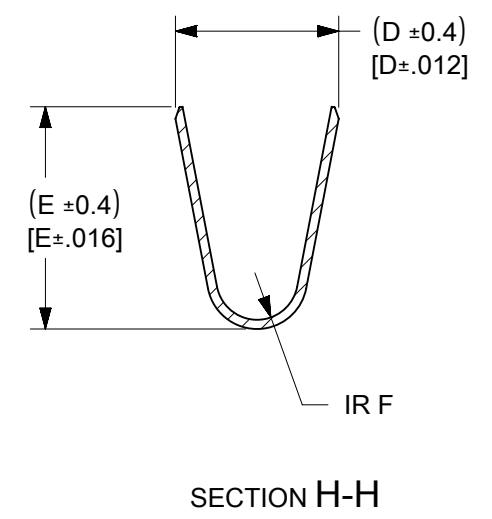
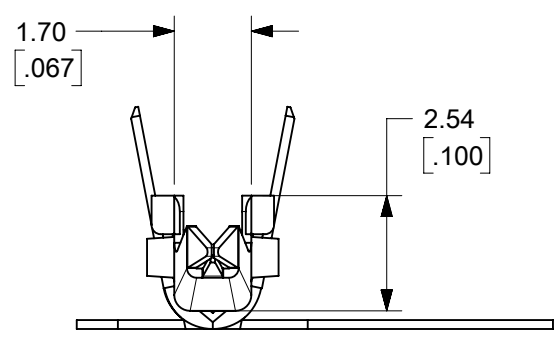
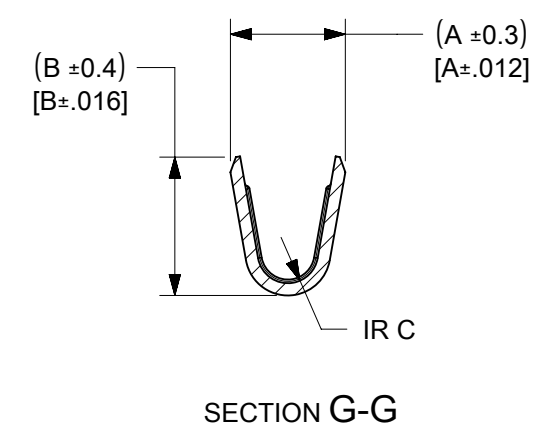
elektronikai alkatrész áruház

EN: This Datasheet is presented by the manufacturer.

Please visit our website for pricing and availability at www.hestore.hu.



- NOTES:
1. MATERIAL: SEE CHART
 2. FINISH: SEE CHART
 3. PRODUCT SPECIFICATION: PS-5556-001, PS-5556-002, PS-5556-003
 4. PACKAGING SPECIFICATION: PK-5558-001 FOR CHAIN
PK-5556-003 FOR LOOSE
 5. MATES WITH TERMINAL: 5556 SERIES.
 6. APPLICABLE HOUSING: 5559, 30068, 42475 SERIES.
 7. THE NUMBER OF SERRATIONS TO BE ONE FOR WIRE RANGE #22-28.
 8. WHEN TERMINALS ARE INSTALLED IN THE HOUSING THE WIRES ARE TO BE DRESSED IN SUCH A MANNER TO ALLOW THE TERMINALS TO FLOAT FREELY IN THE POCKET.
 9. THIS TERMINAL IS DESIGNED FOR SINGLE WIRE CRIMPING.
 10. PART CONFORMS TO CLASS "B" REQUIREMENTS OF COSMATIC SPECIFICATION PS-45499-002.
 11. TEXT ON PART IS FOR REFERENCE ONLY. TEXT AND TEXT LOCATION MAY VARY DEPENDING ON PART NUMBER AND/OR TOOL.



THIS DRAWING CONTAINS INFORMATION THAT IS PROPRIETARY TO MOLEX ELECTRONIC TECHNOLOGIES, LLC AND SHOULD NOT BE USED WITHOUT WRITTEN PERMISSION															
FUNCTIONAL SYMBOLS		DIMENSION UNITS		SCALE		CURRENT REV DESC:									
FA = 0		mm/inch		NTS		EC NO: 660823 DRWN: VIJAYS4 CHK'D: YXZHENG APPR: YXZHENG INITIAL REVISION: DRWN: H.HIRAMOTO APPR: FSMITH									
FE = 0		GENERAL TOLERANCES (UNLESS SPECIFIED)										2021/04/06		molex MINI-FIT JR OVERALL TIN MALE CRIMP TERMINAL	
FD = 0		MM		INCH								2021/04/14			
DIVISIONAL SYMBOLS		4 PLACES ±		±								2021/04/14			
		3 PLACES ±		± 0.01		2021/04/14		PRODUCT CUSTOMER DRAWING							
		2 PLACES ±		± 0.25		2021/04/14		DOCUMENT NUMBER		DOC TYPE		DOC PART			
		1 PLACE ±		±				SD-5558XXXX		PSD		001			
		0 PLACES ±		±				1991/03/12		REVISION		L2			
		ANGULAR TOL ±		3.0 °				2010/04/09		MATERIAL NUMBER		CUSTOMER			
		DRAFT WHERE APPLICABLE MUST REMAIN WITHIN DIMENSIONS		THIRD ANGLE PROJECTION		DRAWING		SERIES		SEE SHEET 2		GENERAL MARKET			
				B-SIZE		5558		SHEET NUMBER		1 OF 2					

10 9 8 7 6 5 4 3 2 1

REFLOWED MATTE TIN 0.00090/(.000035)
MIN. (PREPLATE) (FINISH IS BRIGHT IN APPEARANCE,
THICKNESS AS APPLIED PRIOR TO REFLOW)

PHOSPHOR
BRONZE

(0.9) .035	(4.5) .177	(3.6) .142	(0.6) .024	(2.7) .106	(2.3) .091	∅ (3.1) .122 MAX.	# 16
(0.6) .024	(2.3) .091	(2.3) .091	(0.4) .016	(1.65) .065	(1.8) .071	∅ (0.9-1.8) .035-.071	#22-28
(0.9) .035	(4.5) .177	(3.6) .142	(0.5) .020	(2.3) .091	(1.9) .075	∅ (1.3-3.1) .051-.122	#18-24

39-00-0084	5558 PBT3L	LOOSE
↑ -0083	↑ PBT3	CHAIN
-0068	PBT2L	LOOSE
-0067	PBT2	CHAIN
-0062	PBTL	LOOSE
-0061	PBT	CHAIN

REFLOWED MATTE TIN 0.00090/(.000035)
MIN OVER COPPER 0.00050/(.000020)
MIN. (PREPLATE) (FINISH IS BRIGHT IN APPEARANCE,
THICKNESS AS APPLIED PRIOR TO REFLOW)

BRASS

(0.9) .035	(4.5) .177	(3.6) .142	(0.6) .024	(2.7) .106	(2.3) .091	∅ (3.1) .122 MAX.	# 16
(0.6) .024	(2.3) .091	(2.3) .091	(0.4) .016	(1.65) .065	(1.8) .071	∅ (0.9-1.8) .035-.071	#22-28
(0.9) .035	(4.5) .177	(3.6) .142	(0.5) .020	(2.3) .091	(1.9) .075	∅ (1.3-3.1) .051-.122	#18-24

↑ -0082	T3L	LOOSE
-0081	T3	CHAIN
-0049	T2L	LOOSE
-0048	T2	CHAIN
↓ -0041	↓ TL	LOOSE
39-00-0040	5558 T	CHAIN

PLATING MATERIAL F E D C B A INS. RANGE WIRE RANGE EDP NO. ENG. NO. FORM

SEE SHEET 1
EC NO: UCP2017-1893
DRAWN: GSLAFTER 2017/02/28
CHKD: JBELL 2017/03/14
APPR: FSMITH 2017/07/31

QUALITY SYMBOLS
▽=0
▽=0
▽=0

GENERAL TOLERANCES (UNLESS SPECIFIED)

	mm	INCH
4 PLACES	± ---	± ---
3 PLACES	± ---	± .010
2 PLACES	± .25	± .010
1 PLACE	± .25	± ---
ANGULAR ± 3 °		

DRAFT WHERE APPLICABLE
MUST REMAIN
WITHIN DIMENSIONS

DIMENSION STYLE MM/IN
SCALE
DESIGN UNITS METRIC
THIRD ANGLE PROJECTION

DRAWN BY DATE
H.HIRAMOTO 1991/03/12

CHECKED BY DATE
S.KUNISHI 1998/07/07

APPROVED BY DATE
FSMITH 2010/04/09

MATERIAL NO.
SEE CHART

SIZE B

MINI-FIT JR
OVERALL TIN
MALE CRIMP TERMINAL

molex MOLEX INCORPORATED

DOCUMENT NO. SD-5558****

SHEET NO. 2 OF 2

THIS DRAWING CONTAINS INFORMATION THAT IS PROPRIETARY TO MOLEX INCORPORATED AND SHOULD NOT BE USED WITHOUT WRITTEN PERMISSION