



HESTORE.HU

elektronikai alkatrész áruház

EN: This Datasheet is presented by the manufacturer.

Please visit our website for pricing and availability at www.hestore.hu.

10 9 8 7 6 5 4 3 2 1

F

F

E

E

D

D

C

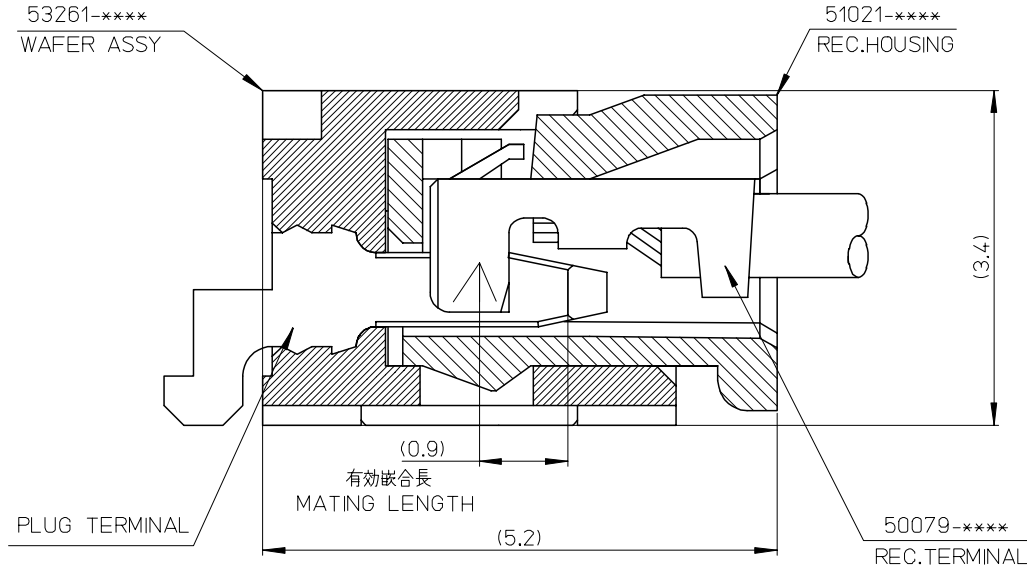
C

B

B

A

A

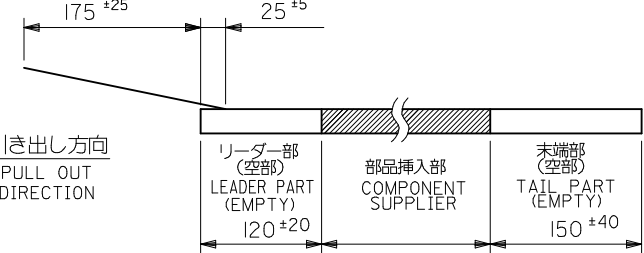


53261-****	WAFER ASSY	MODEL NO./MATERIAL NO.
50079-****	TERMINAL	
51021-****	HOUSING	

RELEASED EC NO: J2006-2426 DRWN: A0YAGI 2006/02/02 CHKD: YMAEDA 2006/02/03 APPR: NUKITA 2006/02/07	GENERAL TOLERANCES (UNLESS SPECIFIED)		DIMENSION STYLE MM ONLY		SCALE ---	DESIGN UNITS METRIC	THIRD ANGLE PROJECTION	
	10 UNDER	± ---	DRAWN BY Y. A0YAGI	DATE 2006/01/30	TITLE 1.25 W-TO-B CONN. 51021,53261 MATING CROSS SECTION			
	10 OVER 30 UNDER	± ---	CHECKED BY Y. MAEDA	DATE 2006/01/30	MOLEX INCORPORATED			
	30 OVER	± ---	APPROVED BY N. UKITA	DATE 2006/01/30	MATERIAL NO. SEE CHART			
	ANGULAR ± --- °		DRAFT WHERE APPLICABLE MUST REMAIN WITHIN DIMENSIONS		DOCUMENT NO. SD-51021-002	SHEET NO. 1 OF 1		

注記
NOTES

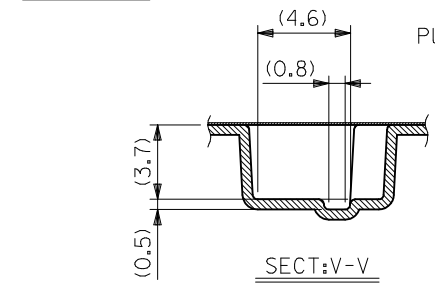
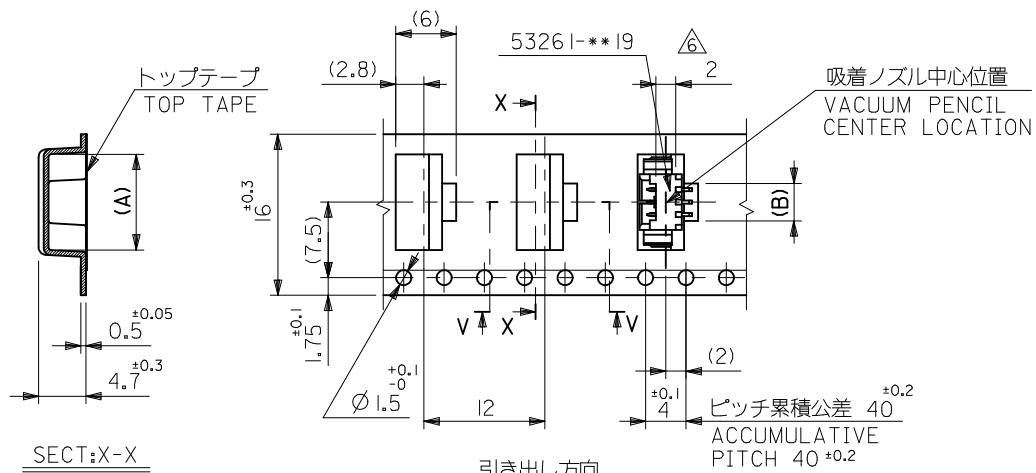
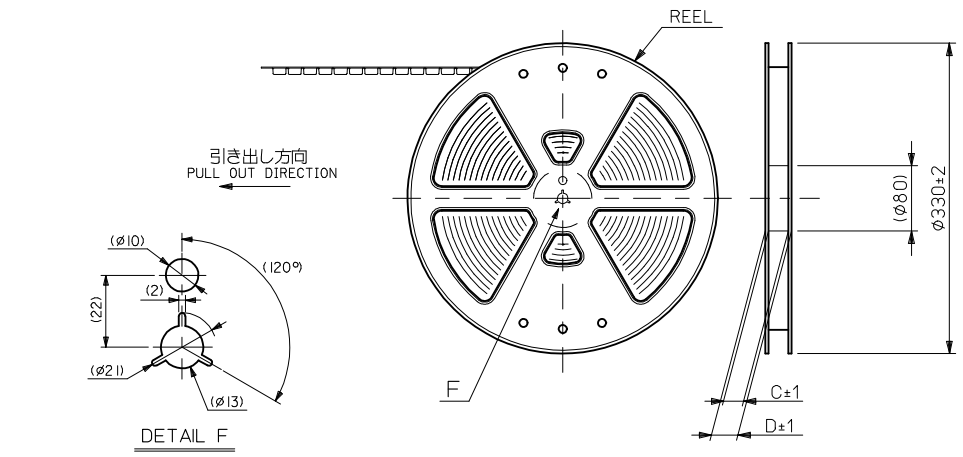
- 53261-**-19 の詳細寸法については図面 SD-53261-024 を参照下さい。
RE DETAILED DIMENSIONS, SEE SD-53261-024
- 梱包数量: 1000個/リール
NUMBER OF CONNECTOR: 1000PCS/REEL
- リードテープ長さ LEAD TAPE LENGTH
トップテープリーダー部 TOP TAPE LEADER PART
トップテープ未接着部 TOP TAPE NON-BONDED PART



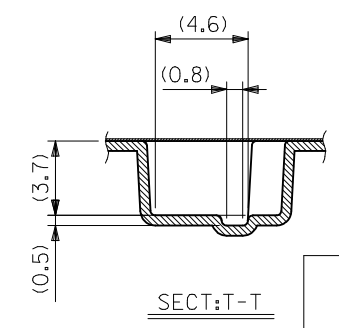
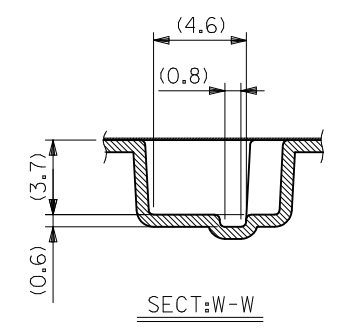
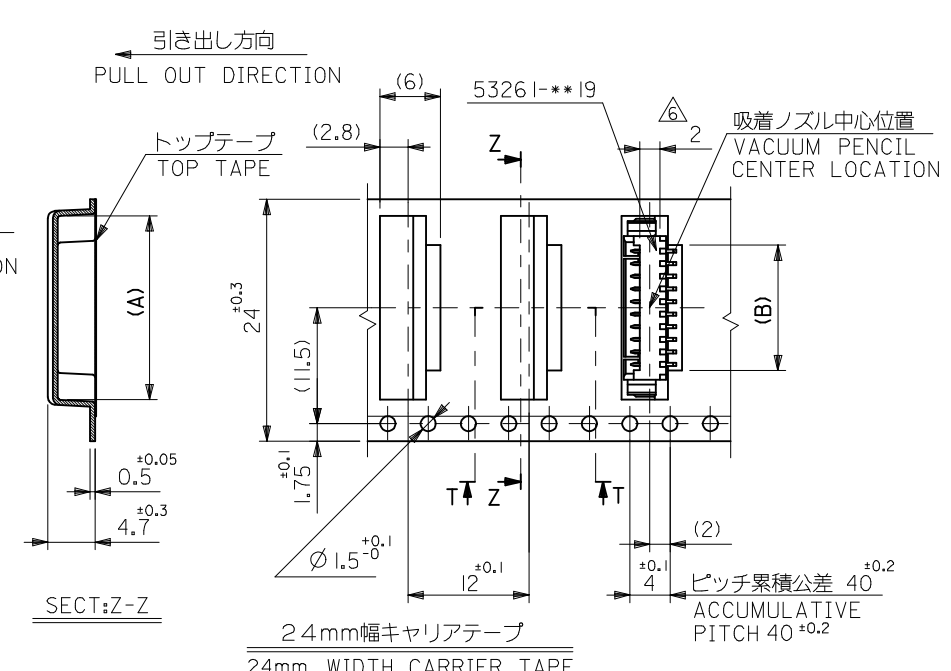
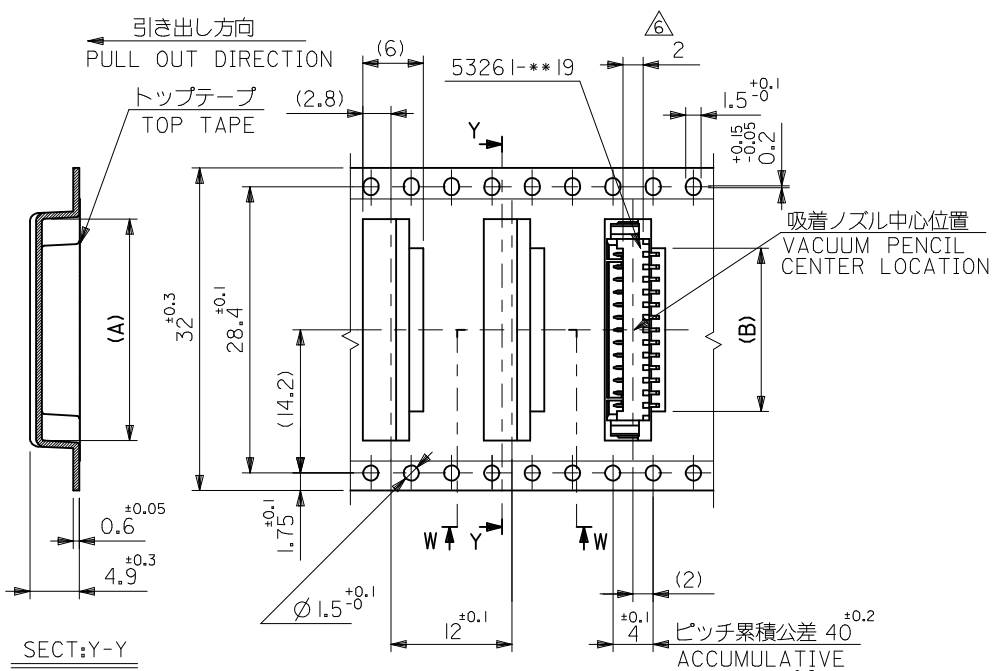
- 材料 (MATERIAL)
キャリアテープ (CARRIER TAPE): ポリプロピレン (POLYPROPYLENE)
トップテープ (TOP TAPE): PET, PE, PEF
リール (REEL): ポリスチレン (PS) <リサイクル材含む>
POLYSTYRENE (PS) <RECYCLE MATERIAL CONTAINED>

△ コネクタ、ハウジング平面部
CONNECTOR, HOUSING FLAT AREA

- 本製品は 53261-**-90 の鉛フリー品である。
THIS PRODUCT IS LEAD FREE OF 53261-**-90
- ELV及びRoHS適合品
ELV AND RoHS COMPLIANT
- 本製品は乾燥剤入り、ハイバリア梱包仕様である。
THIS PRODUCT IS HIGH BARRIER PACKAGE WITH DESICCANT.

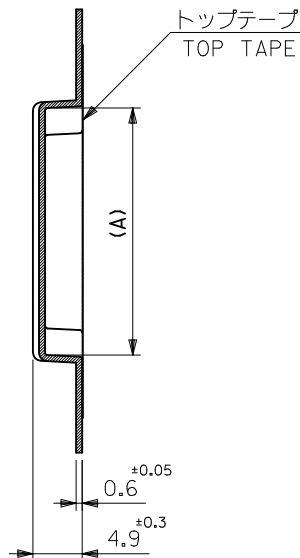


MODEL NO.	53261-**-71	16	21.4	17.4	3.7	9.5	53261-0371	3
GENERAL TOLERANCES (UNLESS SPECIFIED)		2.45	8.25	53261-0271	2			
DIMENSION STYLE	MM ONLY	キャリアテープ幅 CARRIER TAPE WIDTH	D	C	B	A	MATERIAL. NO.	極数 CKT.
SCALE	---	DESIGN UNITS	METRIC		THIRD ANGLE PROJECTION			
DRAWN BY	H. SHIMABUKUR	DATE	TITLE					
CHECKED BY	K. TOJO	DATE	1.25 W/B CONN WAFER ASSY FOR SMT EMBSTP PKG					
APPROVED BY	M. SASAO	DATE	MOLEX INCORPORATED					
MATERIAL NO.	SEE TABLE & SHEET 2,3	DOCUMENT NO.	SD-53261-023				SHEET NO.	1 OF 3
SIZE	A3	THIS DRAWING CONTAINS INFORMATION THAT IS PROPRIETARY TO MOLEX INCORPORATED AND SHOULD NOT BE USED WITHOUT WRITTEN PERMISSION						

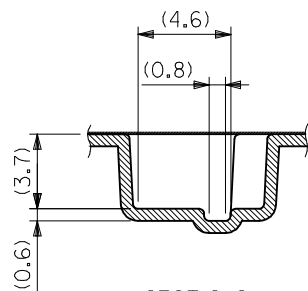
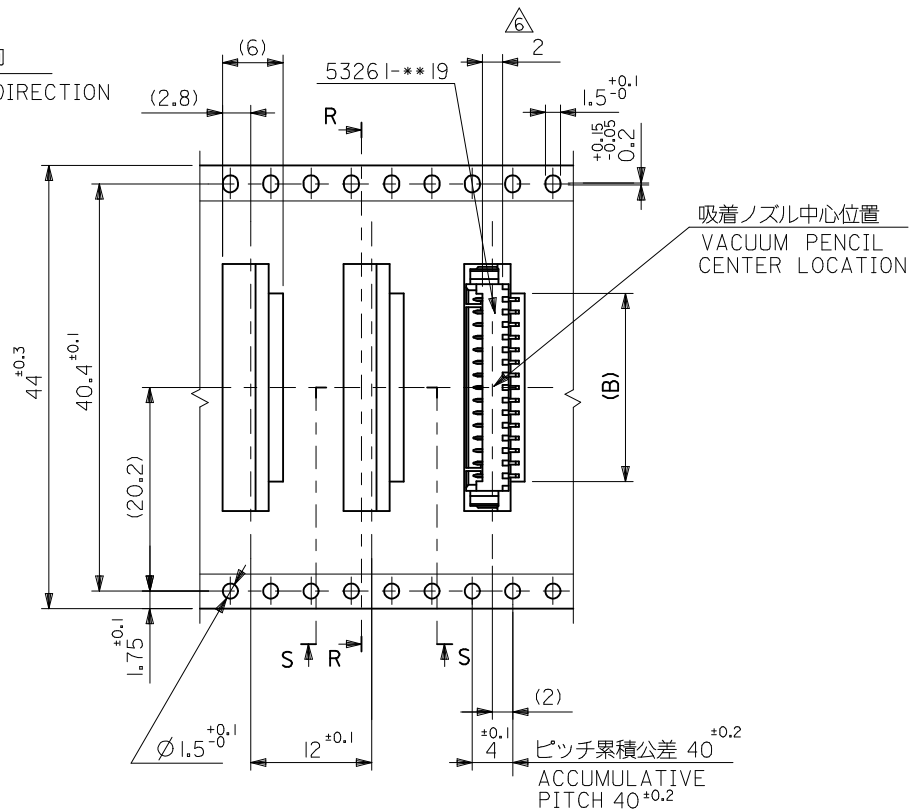


MODEL NO.	53261-**71	キャリアテープ幅 CARRIER TAPE WIDTH	D	C	B	A	MATERIAL. NO.	極数 CKT.
GENERAL TOLERANCES (UNLESS SPECIFIED)	DIMENSION STYLE MM ONLY		SCALE ---	DESIGN UNITS METRIC		THIRD ANGLE PROJECTION		
10 UNDER ±0.2	DRAWN BY H. SHIMABUKUR		DATE '04/02/06		TITLE 1.25 W/B CONN WAFER ASSY FOR SMT EMBSTP PKG			
10 OVER 30 UNDER ±0.25	CHECKED BY K. TOJO		DATE '04/02/06		MOLEX INCORPORATED			
30 OVER ±0.3	APPROVED BY M. SASAO		DATE '04/02/06		DOCUMENT NO. SD-53261-023			
ANGULAR ±3 °	MATERIAL NO.		SEE TABLE & SHEET 1.3		SHEET NO. 2 OF 3			
DRAFT WHERE APPLICABLE MUST REMAIN WITHIN DIMENSIONS	SIZE A3		THIS DRAWING CONTAINS INFORMATION THAT IS PROPRIETARY TO MOLEX INCORPORATED AND SHOULD NOT BE USED WITHOUT WRITTEN PERMISSION					

引き出し方向
PULL OUT DIRECTION



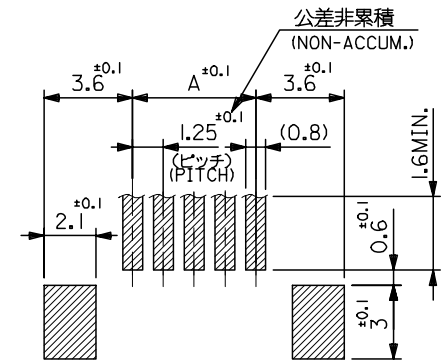
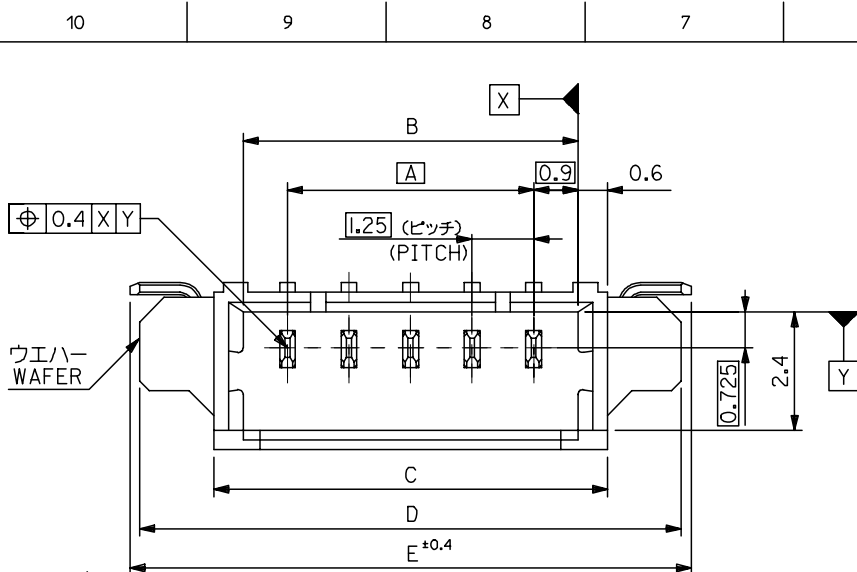
SECT:R-R



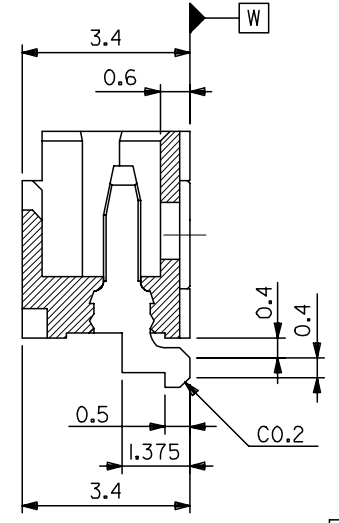
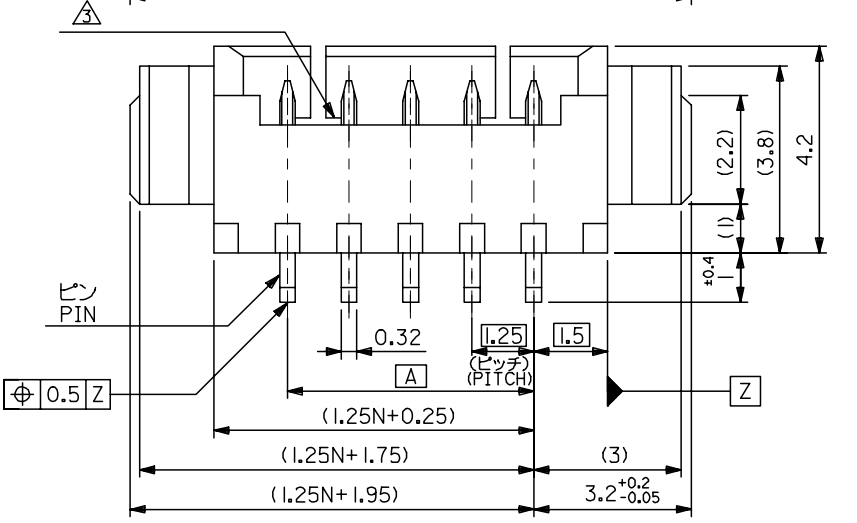
SECT:S-S

44mm幅キャリアテープ
44mm WIDTH CARRIER TAPE

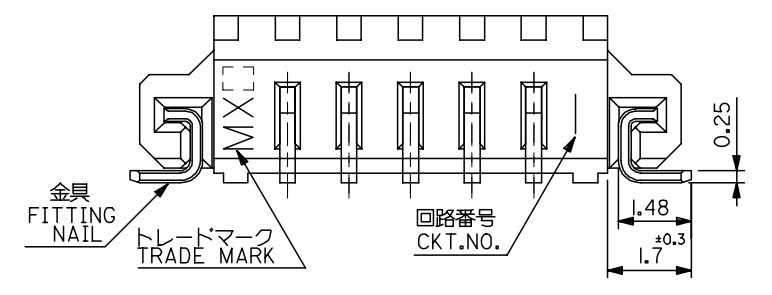
MODEL NO. 53261-***71		44	49.4	45.4	18.7	24.5	53261-1571	15
GENERAL TOLERANCES (UNLESS SPECIFIED)		キャリアテープ幅 CARRIER TAPE WIDTH	D	C	B	A	53261-1471	14
DIMENSION STYLE MM ONLY		SCALE ---		DESIGN UNITS METRIC		THIRD ANGLE PROJECTION		
DRAWN BY H. SHIMABUKUR		DATE '04/02/06		TITLE 1.25 W/B CONN WAFER ASSY FOR SMT EMBSTP PKG				
CHECKED BY K. TOJO		DATE '04/02/06		MATERIAL NO. 極数 CKT.				
APPROVED BY M. SASAO		DATE '04/02/06		MATERIAL NO. 極数 CKT.				
ANGULAR ±3 °		MATERIAL NO.		MATERIAL NO. 極数 CKT.				
DRAFT WHERE APPLICABLE MUST REMAIN WITHIN DIMENSIONS		SEE TABLE & SHEET 12		MATERIAL NO. 極数 CKT.				
REVISED		SIZE A3		MATERIAL NO. 極数 CKT.				
EC NO. J2009-2060		THIS DRAWING CONTAINS INFORMATION THAT IS PROPRIETARY TO MOLEX INCORPORATED AND SHOULD NOT BE USED WITHOUT WRITTEN PERMISSION		MATERIAL NO. 極数 CKT.				
DRWN:TKON 2009/05/20		MATERIAL NO.		MATERIAL NO. 極数 CKT.				
CHKD:HMATSUMOTO 2009/05/21		DOCUMENT NO.		MATERIAL NO. 極数 CKT.				
APPR:NIKIITA 2009/05/21		SHEET NO.		MATERIAL NO. 極数 CKT.				



参考基板レイアウト
RECOMMENDED P.C.BOARD PATTERN DIM.(REF.)
(SCALE 5:1)



[断面図]
[CROSS SECTION]



注記 NOTES

1. 嵌合相手: 51021 シリウス
MATES WITH: 51021 SERIES
2. 材質 MATERIAL
ウエハー: NYLON46, UL94V-0
ピン: リン青銅
PIN: PHOS-BRO
: 銅メッキ 1.0 マイクロメートル以上
: TIN 1.0 MICROMETER MINIMUM
: ニッケル下地 1.0 マイクロメートル以上
: NICKEL(UNDER PLATING)1.0 MICROMETER MINIMUM
金具
FITTING NAIL: リン青銅
: PHOS-BRO
: 銅メッキ 1.0 マイクロメートル以上
: TIN 1.0 MICROMETER MINIMUM
: ニッケル下地 1.0 マイクロメートル以上
: NICKEL(UNDER PLATING)1.0 MICROMETER MINIMUM
- △ ロック窓は2, 3極は1箇所, 4極以上は2箇所とする。
LOCKING WINDOW:
ONE PLACE FOR 2 AND 3 CKT. AND
TWO PLACES FOR MORE THAN 3 CKT.
4. ソルダータール部のスレ量及び金具(補強板)のスレ量は基準面[W]に対し、上方向0.05 MAX.、下方向に0.1 MAX.とする。[W] OFFSET BETWEEN BASIS PLANE TO SOLDER TAIL BOTTOM AND FITTING NAIL BOTTOM:
UPPER SIDE: 0.05MAX.
LOWER SIDE: 0.1MAX.
5. 本製品は 53261-**-10 の鉛フリー品である。
THIS PRODUCT IS LEAD FREE OF 53261-**-10

26.4	26	23	21.8	20	53261-1719	17	
23.9	23.5	20.5	19.3	17.5	-1519	15	
22.65	22.25	19.25	18.05	16.25	-1419	14	
21.4	21	18	16.8	15	-1319	13	
20.15	19.75	16.75	15.55	13.75	-1219	12	
18.9	18.5	15.5	14.3	12.5	-1119	11	
17.65	17.25	14.25	13.05	11.25	-1019	10	
16.4	16	13	11.8	10	-0919	9	
15.15	14.75	11.75	10.55	8.75	-0819	8	
13.9	13.5	10.5	9.3	7.5	-0719	7	
12.65	12.25	9.25	8.05	6.25	-0619	6	
11.4	11	8	6.8	5	-0519	5	
10.15	9.75	6.75	5.55	3.75	-0419	4	
8.9	8.5	5.5	4.3	2.5	-0319	3	
53261-**-19	7.65	7.25	4.25	3.05	1.25	53261-0219	2

MODEL NO.	E	D	C	B	A	MATERIAL. NO.	極数 CKT.
-----------	---	---	---	---	---	---------------	------------

REVISED EC NO: J2005-3130 DRW:NNAIDA 2005/04/19 CHK:KTOYODA 2005/04/21 APPR:NUKITA 2005/04/25	GENERAL TOLERANCES (UNLESS SPECIFIED)		DIMENSION STYLE MM ONLY		SCALE 10:1	DESIGN UNITS METRIC	THIRD ANGLE PROJECTION
	10 UNDER	±0.2	DRAWN BY HSHIMABU	DATE 04/02/06	TITLE 1.25 WIRE TO BOARD WAFER ASS FOR SMT -LEAD FREE-		
	10 OVER 30 UNDER	±0.25	CHECKED BY KTOJO	DATE 04/02/06	MOLEX INCORPORATED		
	30 OVER	±0.3	APPROVED BY MSASAO	DATE 04/02/06	DOCUMENT NO. SD-53261-024		
	ANGULAR	±3 °	MATERIAL NO.		SEE DRAWING		SHEET NO. 1 OF 1
DRAFT WHERE APPLICABLE MUST REMAIN WITHIN DIMENSIONS		SIZE A3		THIS DRAWING CONTAINS INFORMATION THAT IS PROPRIETARY TO MOLEX INCORPORATED AND SHOULD NOT BE USED WITHOUT WRITTEN PERMISSION			