

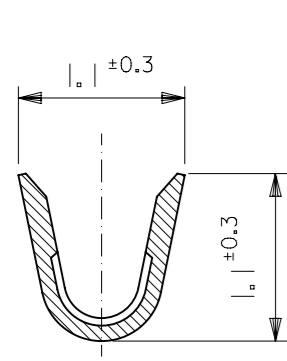


HESTORE.HU

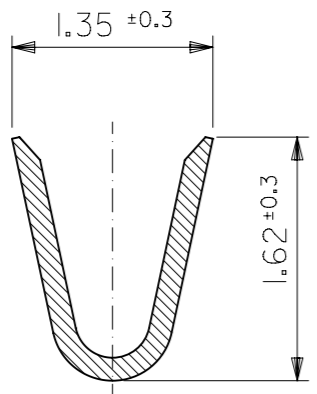
elektronikai alkatrész áruház

EN: This Datasheet is presented by the manufacturer.

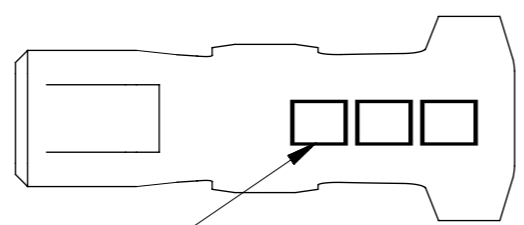
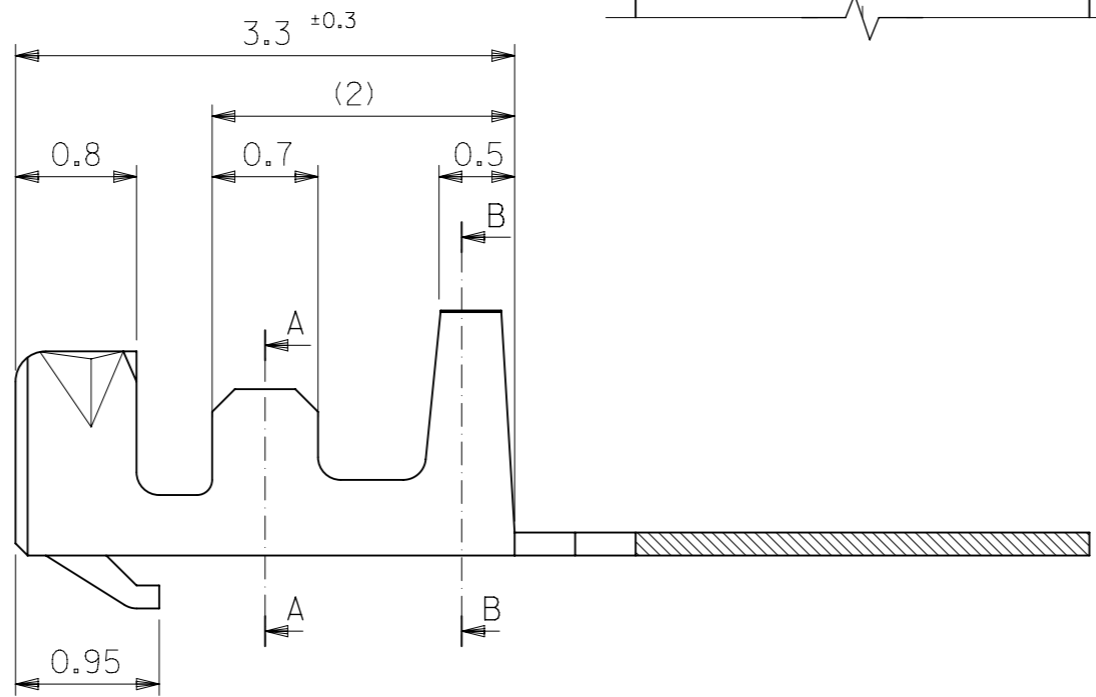
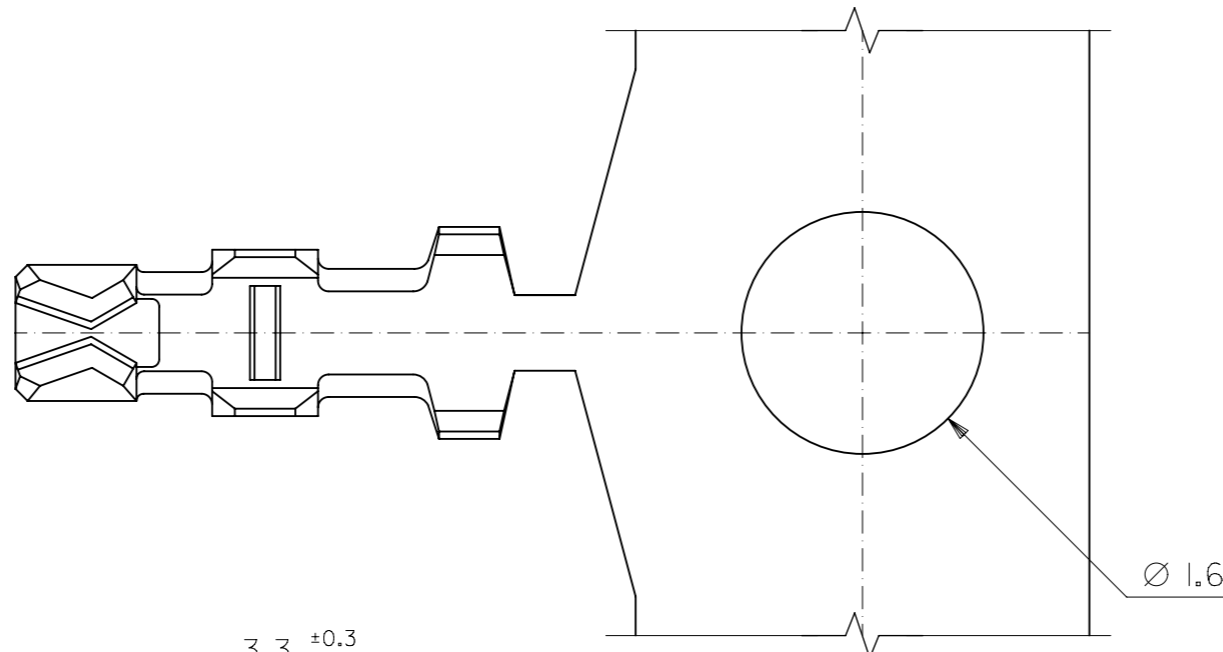
Please visit our website for pricing and availability at www.hestore.hu.



SECT. A-A



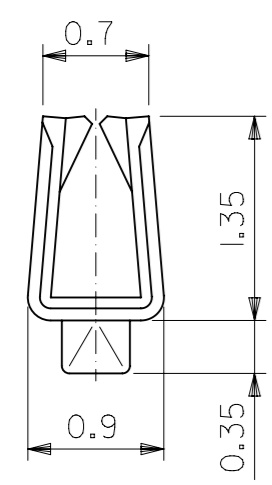
SECT. B-B



トレードマーク
TRADE MARK

NOTE

- 適合ハウジング : 51021-****
APPLICABLE HOUSING: 51021-****
- めっき仕様 : 下記表参照
PLATING: SEE CHART
- 圧着条件については500580000-CSを参照。
PLEASE REFER TO CRIMP SPECIFICATION 500580000-CS.



PRE-PLATED	LOOSE	50079-8100
REFLOW TREATED MATTE TIN: 0.9µm MIN.	CHAIN	50079-8000
PLATING	FORM	ORDER NO.

適用電線範囲 WIRE RANGE AWG:#26-#28	被覆外径 INSULATION RANGE Ø1.04MAX.	THIS DRAWING CONTAINS INFORMATION THAT IS PROPRIETARY TO MOLEX ELECTRONIC TECHNOLOGIES, LLC AND SHOULD NOT BE USED WITHOUT WRITTEN PERMISSION	CURRENT REV DESC:		molex	
材料 MATERIAL りん青銅 PHOSPHOR BRONZE (t=0.15)		DIMENSION UNITS mm	SCALE 20:1	GENERAL TOLERANCES (UNLESS SPECIFIED)		EC NO: 170638
		ANGULAR TOL ± 3.0°	4 PLACES ± 0.2	3 PLACES ± 0.2		DRWN: SOBARA01 2018/01/09
		2 PLACES ± 0.2	1 PLACE ± 0.2	0 PLACES ± 0.2		CHK'D: AIDA 2018/01/18
		DRAFT WHERE APPLICABLE MUST REMAIN WITHIN DIMENSIONS	THIRD ANGLE PROJECTION	DRAWING A3-SIZE	SERIES 50079	
					INITIAL REVISION: DRWN: ESUZUKI 2004/11/30 APPR: NUKITA 2004/12/06	
					PRODUCT CUSTOMER DRAWING	
					DOCUMENT NUMBER SD-50079-001	
					DOC TYPE PSD	
					DOC PART 001	
					REVISION J	
					MATERIAL NUMBER SEE CHART	
					CUSTOMER GENERAL	
					SHEET NUMBER 1 OF 1	

10 9 8 7 6 5 4 3 2 1

F

F

E

E

D

D

C

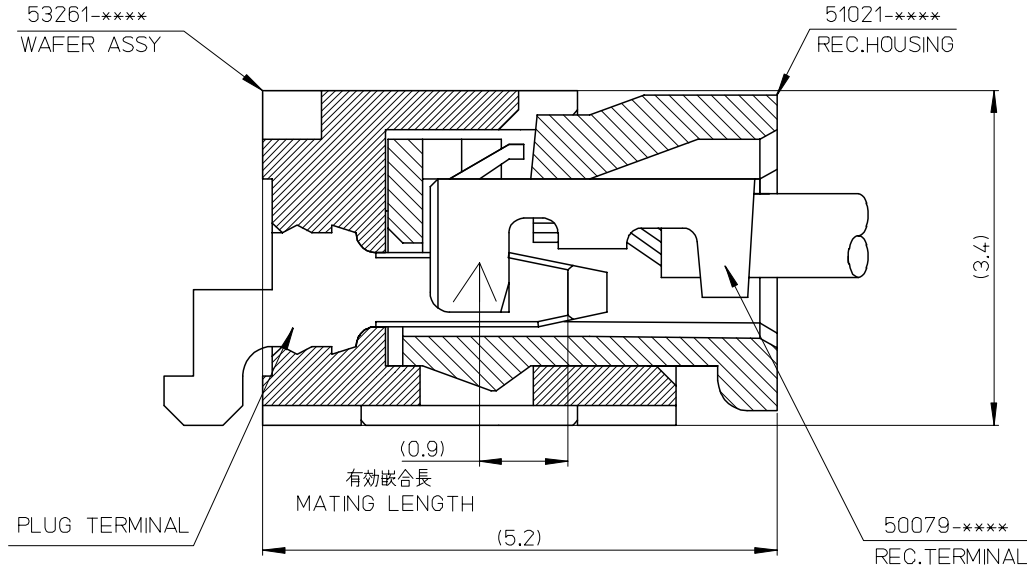
C

B

B

A

A



53261-****	WAFER ASSY	MODEL NO./MATERIAL NO.
50079-****	TERMINAL	
51021-****	HOUSING	

RELEASED EC NO: J2006-2426 DRWN: A0YAGI 2006/02/02 CHKD: YMAEDA 2006/02/03 APPR: NUKITA 2006/02/07	GENERAL TOLERANCES (UNLESS SPECIFIED)		DIMENSION STYLE MM ONLY		SCALE ---	DESIGN UNITS METRIC	THIRD ANGLE PROJECTION	
	10 UNDER	± ---	DRAWN BY Y. A0YAGI	DATE 2006/01/30	TITLE 1.25 W-TO-B CONN. 51021,53261 MATING CROSS SECTION			
	10 OVER 30 UNDER	± ---	CHECKED BY Y. MAEDA	DATE 2006/01/30	MOLEX INCORPORATED			
	30 OVER	± ---	APPROVED BY N. UKITA	DATE 2006/01/30	DOCUMENT NO. SD-51021-002			
	ANGULAR	± --- °	MATERIAL NO. SEE CHART		SHEET NO. 1 OF 1			
0	DRAFT WHERE APPLICABLE MUST REMAIN WITHIN DIMENSIONS		SIZE A3		THIS DRAWING CONTAINS INFORMATION THAT IS PROPRIETARY TO MOLEX INCORPORATED AND SHOULD NOT BE USED WITHOUT WRITTEN PERMISSION			

9

8

7

6

5

4

3

2