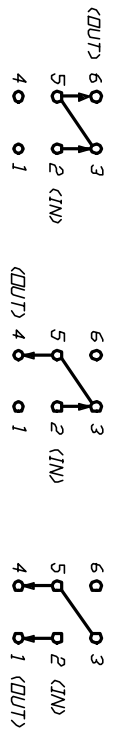




**HESTORE.HU**  
elektronikai alkatrész áruház

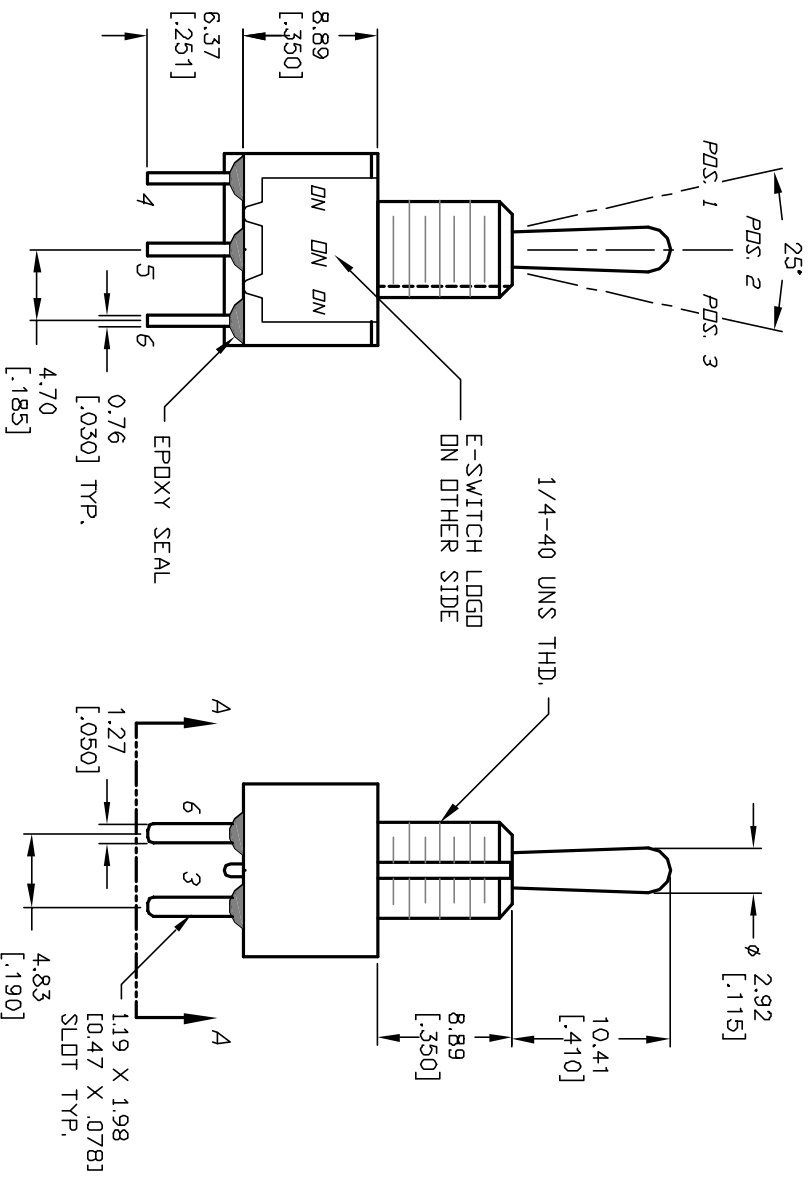
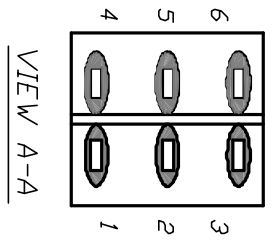
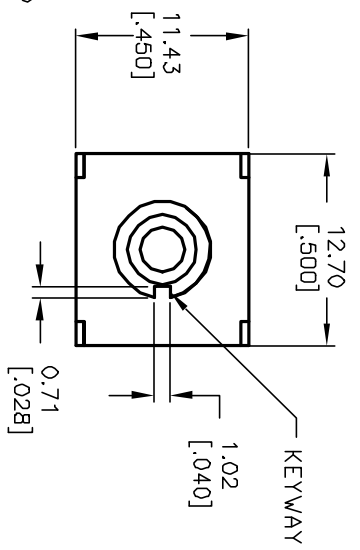
**EN:** This Datasheet is presented by the manufacturer.

Please visit our website for pricing and availability at [www.hestore.hu](http://www.hestore.hu).



CIRCUIT: DPDT 3-WAY  
 NOTE: JUMPER PIN 3 TO PIN 5

SWITCH FUNCTION		
POS. 1	POS. 2	POS. 3
DN	DN	DN
2-3,5-6	2-3,5-4	2-1,5-4



- NOTES:
1. ALL DIMENSIONS IN MM [INCH]
  2. GENERAL TOLERANCE: X,X=±0.4 X,XX=±0.25
  3. TERM. NOS. FOR REF. ONLY
  4. RATING: 5A @120VAC OR 28VDC 2A @250VAC
  5. MATERIALS: FIXED TERM. &MOVING CONTACT: Cu Alloy w/Silver plate
  6. ELECTRICAL LIFE: 50,000 make-and-break cycles at full load.
  7. INSULATION RESISTANCE: 1,000M ohm min.
  8. DIELECTRIC STRENGTH: 1000V RMS @sea level
  9. OPERATING TEMP.: -30°C to 85°C

A		13078	RELEASED FOR PRODUCTION	4/24/03	AR	TITLE	
REV.	ECN No.	DESCRIPTION		DATE	CHKD	SCALE	100DP6T1B1M2QE
						2:1	
						DATE	4/24/03
						DR	AR
						DWG	T126063
						REV	A

THE INFORMATION CONTAINED IN THIS DOCUMENT IS PROPRIETARY TO E-SWITCH AND IS NOT TO BE COPIED OR TRANSFERRED

**E-SWITCH®**