



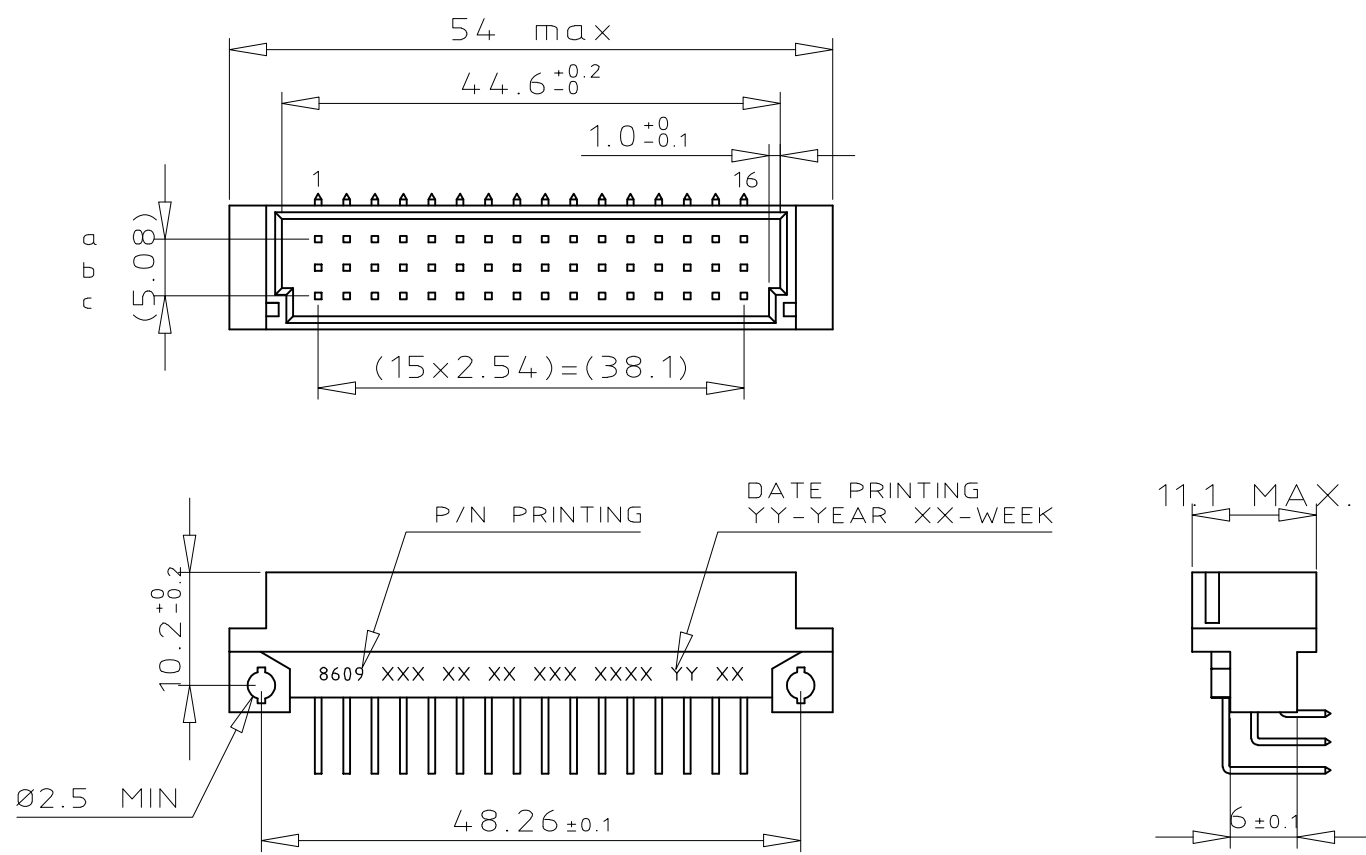
HESTORE.HU

elektronikai alkatrész áruház

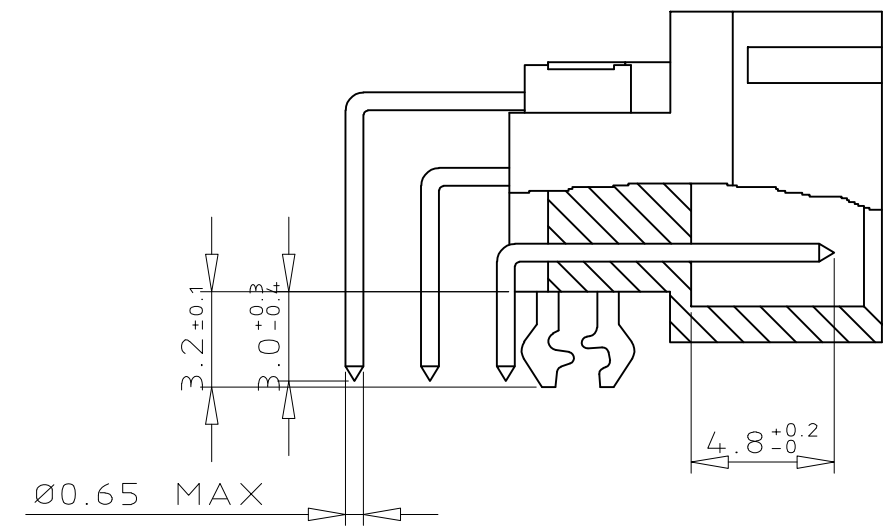
EN: This Datasheet is presented by the manufacturer.

Please visit our website for pricing and availability at www.hestore.hu.

DIMENSIONS



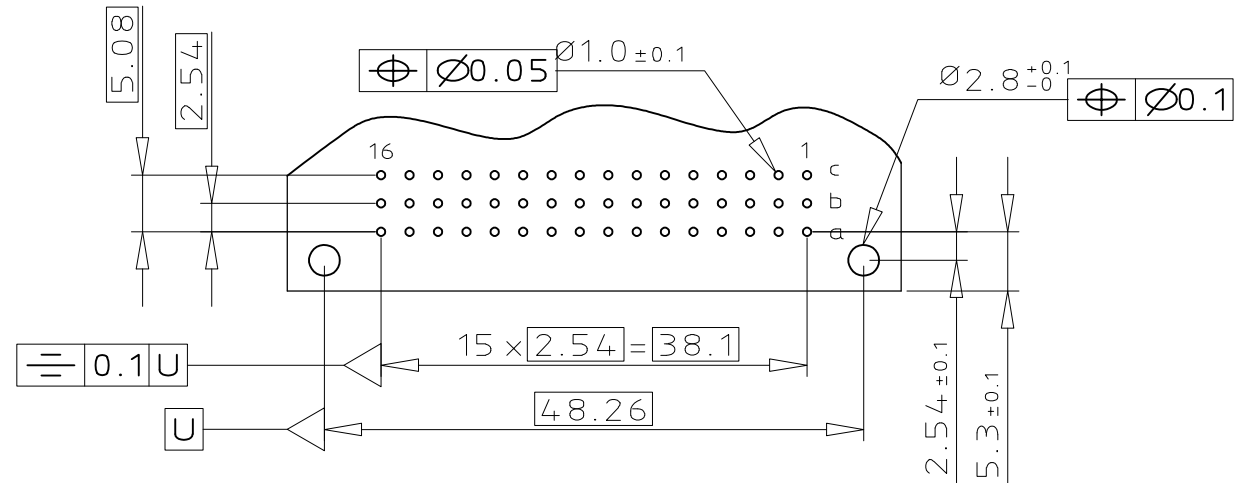
TERMINATION



ORDERING INFORMATION

| | | | | | | | | | | |
|--------------------------------|------|---|----|---|---|----|---|---|---|-----|
| SERIES | 8609 | 3 | 48 | 7 | 3 | 13 | 7 | 4 | 5 | ELF |
| ROWS FITTED WITH CONTACTS | | | | | | | | | | |
| ROW a | 16 | | | | | | | | | |
| ROW a b c | 48 | | | | | | | | | |
| ROW a - c | 32 | | | | | | | | | |
| NO. OF CONTACTS | | | | | | | | | | |
| TYPE OF INSULATOR | | | | | | | | | | |
| 3 ROW MALE INSULATOR | 7 | | | | | | | | | |
| METHOD OF MOUNTING | | | | | | | | | | |
| STANDARD MOUNTING - STYLE C/2 | 3 | | | | | | | | | |
| TERMINATION | | | | | | | | | | |
| ANGLED SPILL | 13 | | | | | | | | | |
| OPTIONS | | | | | | | | | | |
| NO OPTION | 7 | | | | | | | | | |
| WITH HARPOONS | H | | | | | | | | | |
| PERFORMANCE CLASS | | | | | | | | | | |
| DIN 41612 CLASS 3 | 4 | | | | | | | | | |
| DIN 41612 CLASS 2 | 5 | | | | | | | | | |
| DIN 41612 CLASS 1 | 6 | | | | | | | | | |
| AS PER MIL C 55302 / JSS 50808 | 8 | | | | | | | | | |
| PITCH PER ROW | | | | | | | | | | |
| 2.54 mm | 5 | | | | | | | | | |
| LEAD FREE VERSION | ELF | | | | | | | | | |

PCB LAYOUT



GENERAL CHARACTERISTICS & RoHS INFO

REFER DRAWING C-8609-0000A

| | | | | | | | | | | |
|----------------------|-------------|------------|------------|---------------------------------------|--|------------|--|-------------------------------|--|--|
| mat'l. code | | surface | | tolerance | | projection | | product family | | |
| SEE DWG C-8609-0000A | | ISO 1302 ✓ | | ISO 406 ISO 1101 | | | | 8609 | | |
| ltr | ecn no | dr | date | tolerances unless otherwise specified | | mm | | title | | |
| H | ELX-I-40953 | MJA | 2021-05-19 | 0.X ±0.1 | | ←→ | | DIN STANDARD HEADER | | |
| - | - | - | - | 0.XX ±0.1 | | scale 3:2 | | DIN 41612 STYLE C/2 | | |
| C | I05-0089 | MINI | 2005-05-19 | 0.XXX ±0.1 | | | | dwg no | | |
| D | I06-0061 | MINI | 2006-05-31 | dr MINI K V | | 2004-09-17 | | sheet 1 of 1 | | |
| E | I08-0146 | KR | 2008-10-21 | enr RAKHEE G | | 2004-09-17 | | size | | |
| F | I09-0217 | KR | 2009-10-13 | chr M JACOB | | 2021-05-19 | | A3 | | |
| G | I10-0020 | KR | 2010-01-13 | appd SAN0J | | 2021-05-19 | | type Product Customer Drawing | | |
| sheet index | revision | | | | | | | | | |
| | sheet | H | | | | | | | | |
| | | 1 | | | | | | | | |

Amphenol FCI

Copyright AFCI