

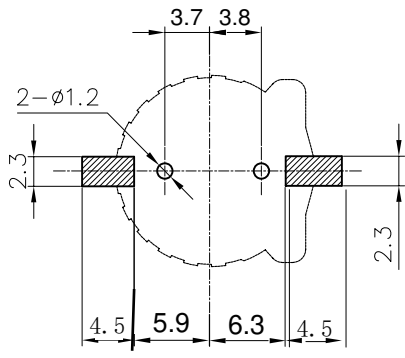
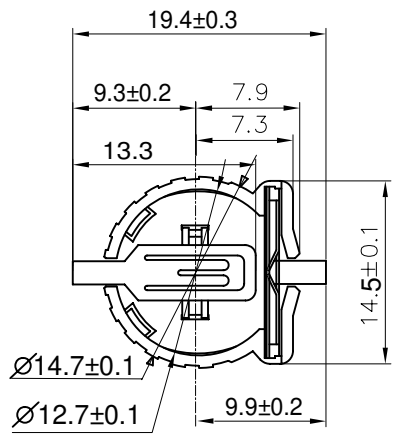


HESTORE.HU
elektronikai alkatrész áruház

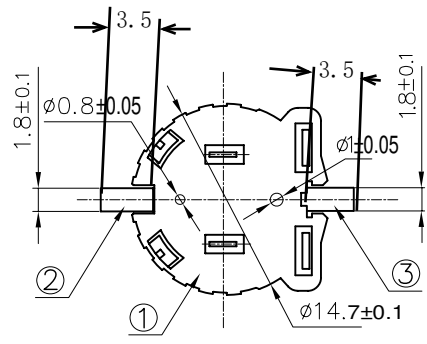
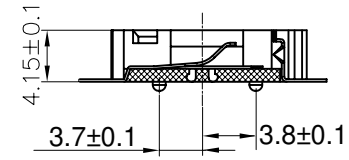
EN: This Datasheet is presented by the manufacturer.

Please visit our website for pricing and availability at www.hestore.hu.

REV.	MATTER	APP.	DATE
A			



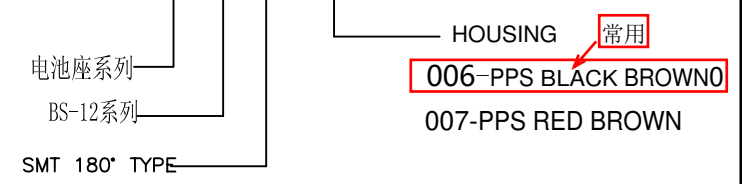
PCB Holes Diagram
xqc; Top View



NOTE:
 1.MATERIAL:
 a.HOUSING:THERMOPLASTIC GLASS FIBRE UL94V-0
 b.CONTACT:PHOSPHOR BRONZE
 (SURFACE PLATING:A*U")
 SEE ORDERING INFORMATION
 2.ELECTRIC:
 a.CONTACT RESISTANCE: 30 MILLIOHMS MAX
 b.INSULATION RESISTANCE: 1000 MEGA OHMS MIN
 c.DIELECTNIC VOLTAGE: 750V AC ONE SEC LEVEL
 d.OPERATING TEMPERATURE: -55°C~ +85°C

ORDERING INFORMATION

XDCR-1220-***



TOLERANCE		Tolerance: Unless otherwise specified			
LINEAR	ANGLE	3	TERMINAL-2	PHOSPHOR BRONZE	Au-Plated
		2	TERMINAL-1	PHOSPHOR BRONZE	Au-Plated
x. ±1	x.' ±5'	1	HOUSING	PPS	BROWN
.x ±0.38	.x' ±2'	NO.	PART NAME	MATERIAL	COLOR/FINISHED
.xx ±0.25	.xx' ±1'				
.xxx ±0.10					



深圳市连欣科技有限公司
 Shenzhen City Lianxin Technology Co., Ltd

日期 DATE	单位 UNITS	审核 CHECK	PART NO: XDCR-1220-006/007
2023. 12. 25	mm		
比例 SCALE	制图 DRAW	设计 DESIGN	TITLE: BS-CR1220 贴片镀金2脚电池座子
1/1			