



HESTORE.HU

elektronikai alkatrész áruház

EN: This Datasheet is presented by the manufacturer.

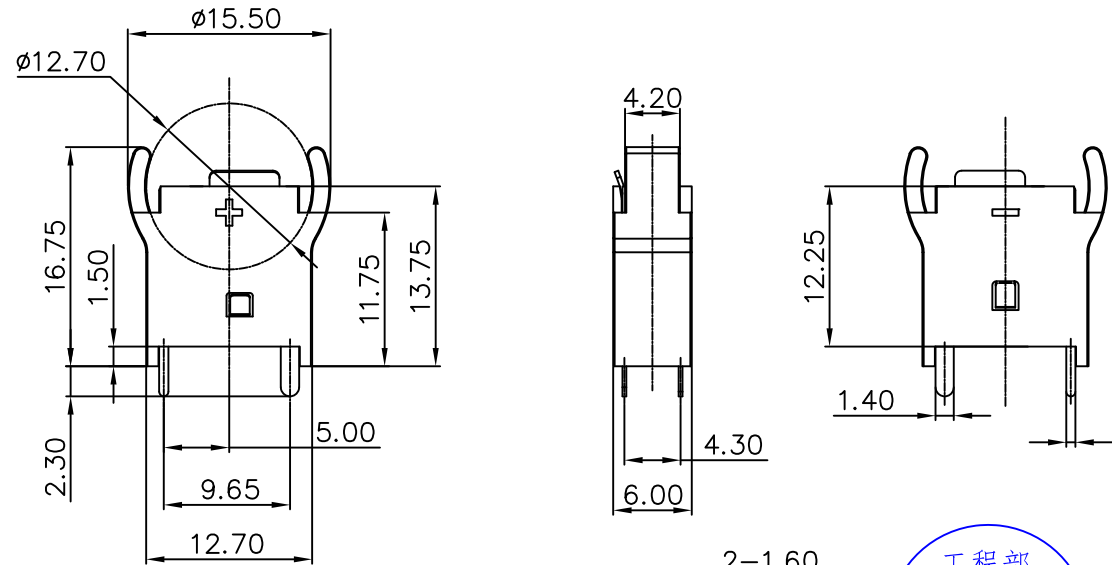
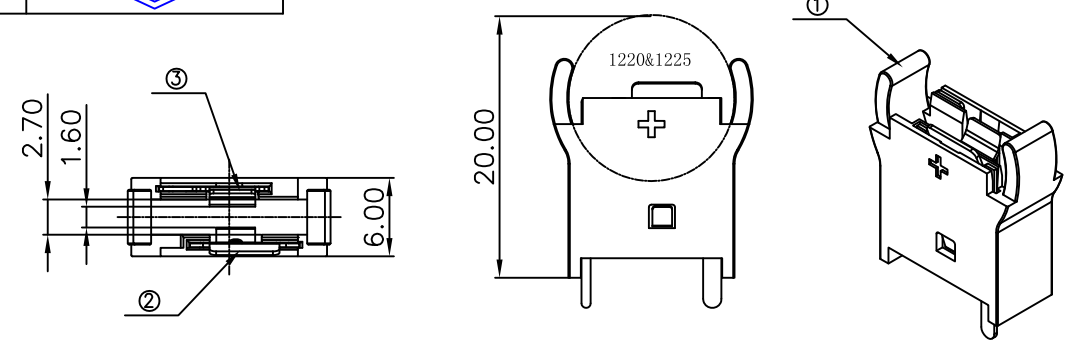
Please visit our website for pricing and availability at www.hestore.hu.



REV.	ECN NO.	REVISED	DATE

NOTE:

- 1.MATERIAL:
a.HOUSING: PA66
b.CONTACT: C5191
(SURFACE PLATING: Ni100U"~120U")
SEE ORDERING INFORMATION
- 2.ELECTRIC:
a.CONTACT RESISTANCE: 100 MILLIOHMS MAX
b.INSULATION RESISTANCE: 1000 MEGA OHMS MIN
c.DIELECTNIC VOLTAGE: 500V AC ONE SEC LEVEL
d.OPERATING TEMPERATURE: -25°C~ +85°C



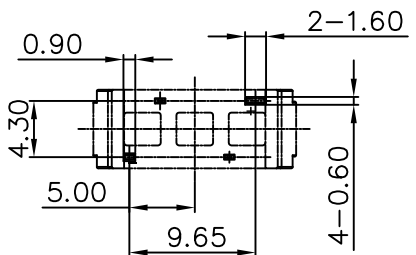
ORDERING INFORMATION
BS-12-A1BJ001

PLATING:
A-Au1U"
J-Ni100U"~120U"
K-Sn100U"~120U"

MATERIAL:
1A-PBT BLACK
1B-PA66 BLACK
2A-PPA BROWN
2B-PPA BLACK
3A-PPS BROWN
3B-PPS BLACK
4A-LCP WHITE
4B-LCP BLACK

电池座系列
BS-12系列
DIP TYPE

工程
2020-07-01
LQ. HUANG



PCB Layout Diagram
BOTTOM View

3	TERMINAL(-)	1	C5191 T=0.3	Ni-Plating
2	TERMINAL(+)	1	C5191 T=0.3	Ni-Plating
1	HOUSING	1	PA66	BLACK
NO.	PART NAME	Q'TY	MATERIAL	PLATING & COLOR

UNLESS OTHERWISE SPECIFIED TOLERANCES		MYOUNG 美阳 www.meiyangdz.com	
DECIMALS: X :±0.30 X.X :±0.25 X.XX :±0.20 X.XXX :±0.10	ANGLES: X :±1° X.X :±0.5°	DSND YangFeng	DATE 2020-07-01
WEIGHT:		CHKD ZhouRuicai	DATE 2020-07-01
SHEET 1 OF 1		APVD XueShunyong	DATE 2020-07-01
SCALE:		SIZE: A4	VIEW:
UNIT: mm		REV.: A/0	OBJECT: MY
TITLE:		BS-1220&1225-3 Ni DIP 改引脚	
PART NO.:		BS-12-A1BJ001	
DRAW NO.:		MY-CP-0229	