



**HESTORE.HU**  
elektronikai alkatrész áruház

**EN:** This Datasheet is presented by the manufacturer.

Please visit our website for pricing and availability at [www.hestore.hu](http://www.hestore.hu).

THIS DRAWING IS UNPUBLISHED.

RELEASED FOR PUBLICATION

ALL RIGHTS RESERVED.

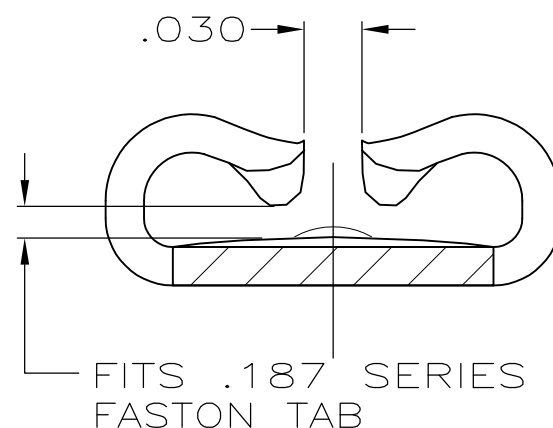
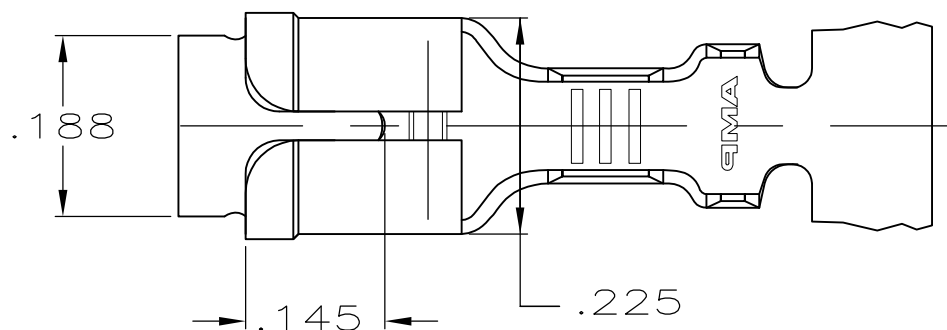
© COPYRIGHT - By -

LOC AF DIST 50

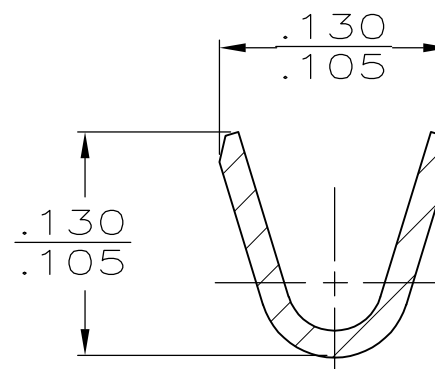
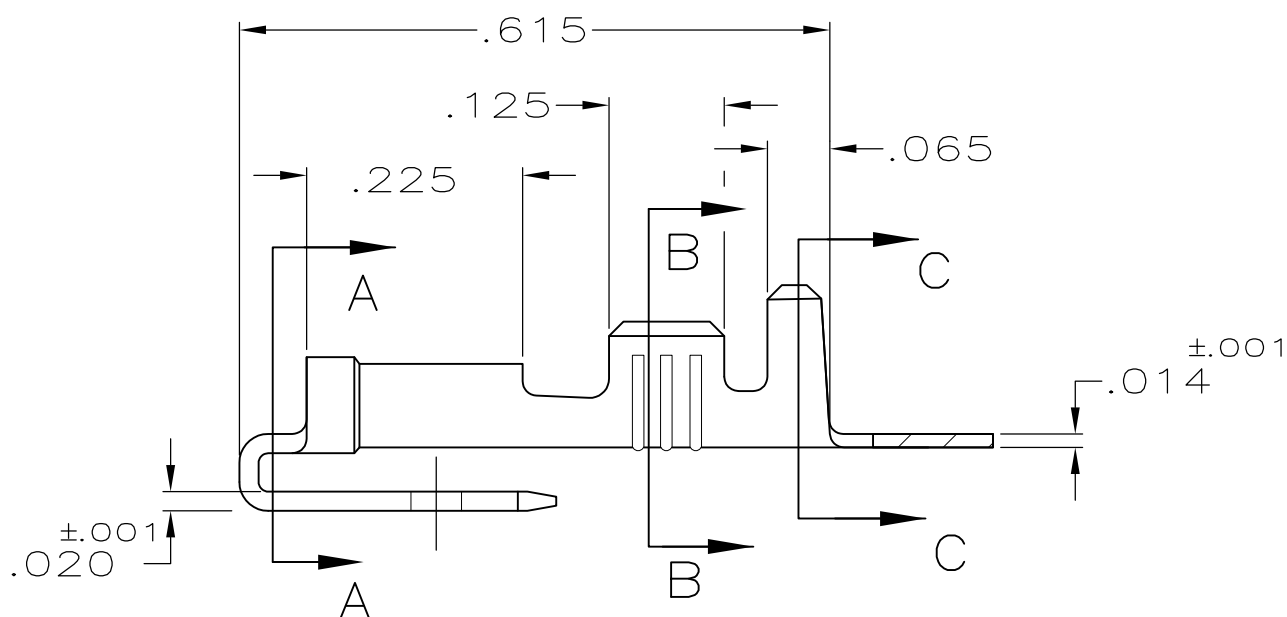
REVISIONS

P	LTR	DESCRIPTION	DATE	DWN	APVD
	F	REVISED PER ECR-12-013459	28NOV2012	KH	PD

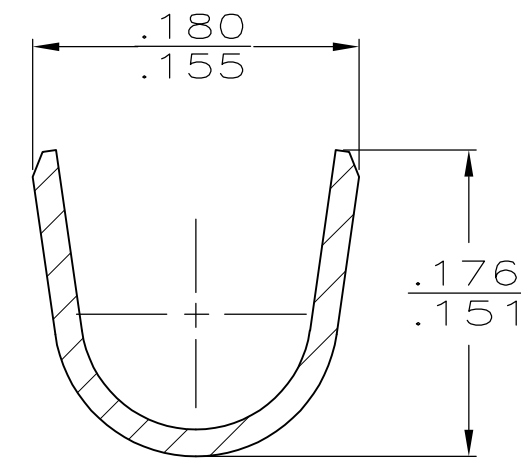
1 CONTINUOUS STRIP ON REELS.



SECTION A-A  
SCALE 10:1




SECTION B-B  
SCALE 10:1



SECTION C-C  
SCALE 10:1

.090-.130	20-16	-	.020	62026-2
		TIN		62026-1
INSULATION RANGE	WIRE SIZE	FINISH	MATING TAB THK ±.001	PART NO

THIS DRAWING IS A CONTROLLED DOCUMENT.		DWN JR RUTH 9/18/90	 <b>TE Connectivity</b> RECEPTACLE & TAB, FASTON, PIGGYBACK, .187 SERIES			
DIMENSIONS: INCHES		CHK P FORTNEY 9/18/90				
TOLERANCES UNLESS OTHERWISE SPECIFIED:		APVD C MEYERS 9/18/90				
0 PLC ± - 1 PLC ± - 2 PLC ± - 3 PLC ± .015 4 PLC ± - ANGLES ± -		NAME				
MATERIAL BRASS		FINISH SEE TABLE	PRODUCT SPEC -	APPLICATION SPEC -	WEIGHT -	
CUSTOMER DRAWING			SIZE A3	CAGE CODE 00779	DRAWING NO C-62026	RESTRICTED TO -
			SCALE 5:1	SHEET 1 OF 1	REV F	