



HESTORE.HU

elektronikai alkatrész áruház

EN: This Datasheet is presented by the manufacturer.

Please visit our website for pricing and availability at www.hestore.hu.

THIS DRAWING IS UNPUBLISHED.

RELEASED FOR PUBLICATION

ALL RIGHTS RESERVED.

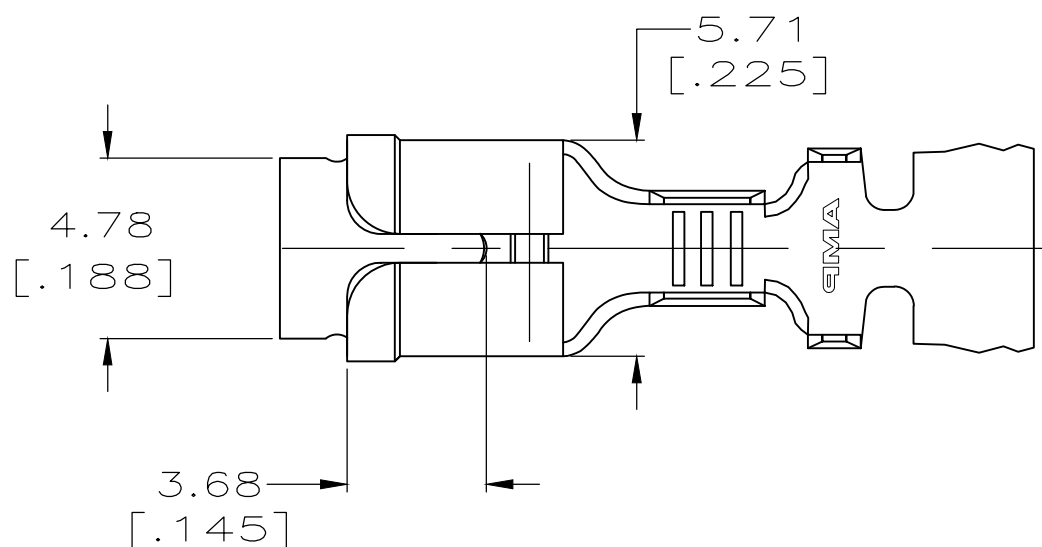
© COPYRIGHT - By -

LOC
AF

DIST
50

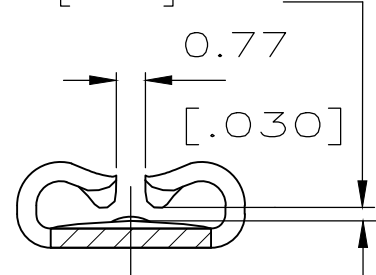
REVISIONS

P	LTR	DESCRIPTION	DATE	DWN	APVD
	C1	REVISED PER ECR-20-009164	23JUL2020	MK	DH

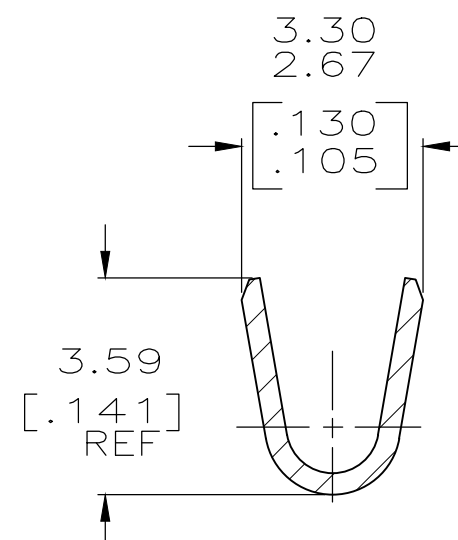
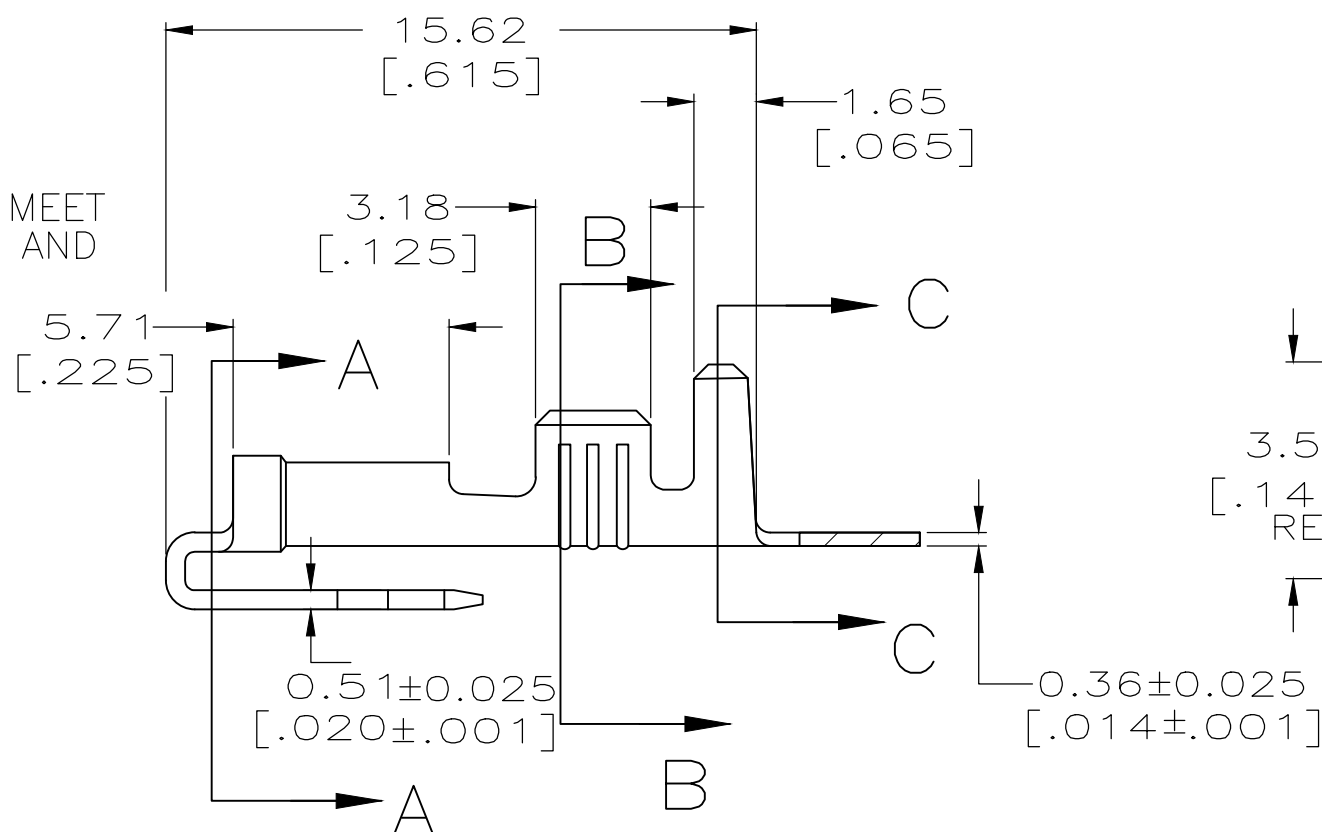


- 1 CONTINUOUS STRIP ON REELS.
- 2 WIRE SIZE IS [#18-#14] AWG.
- 3 INSULATION RANGE IS 2.79-4.06 [.110-.160] DIA.
- 4 MATING TAB THK IS 0.53-0.48 [.021-.019].

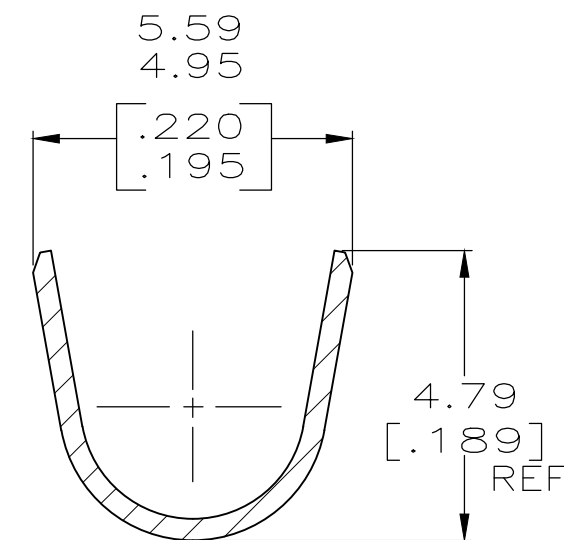
GAP AS REQUIRED TO MEET FORCE SPECIFICATIONS AND 0.45 [.018]MAX



SECTION A-A




SECTION B-B
SCALE 8:1



SECTION C-C
SCALE 8:1

1217151-1
PART NO.

THIS DRAWING IS A CONTROLLED DOCUMENT.		DWN JR RUTH 6MAY99	 TE Connectivity RECEPTACLE, PIGGYBACK, FASTON, 4.75 [.187] SERIES			
DIMENSIONS: mm [INCHES]		CHK MS FEHER 6MAY99				NAME
TOLERANCES UNLESS OTHERWISE SPECIFIED:		APVD S HEADER 6MAY99				PRODUCT SPEC
0 PLC ± - 1 PLC ± - 2 PLC ± 0.25 [.010] 3 PLC ± - 4 PLC ± - ANGLES ± -		APPLICATION SPEC				SIZE
MATERIAL BRASS	FINISH TIN	WEIGHT -	CAGE CODE A300779	DRAWING NO C-1217151	RESTRICTED TO -	
CUSTOMER DRAWING			SCALE 5:1	SHEET 1 OF 1	REV C1	