



**HESTORE.HU**

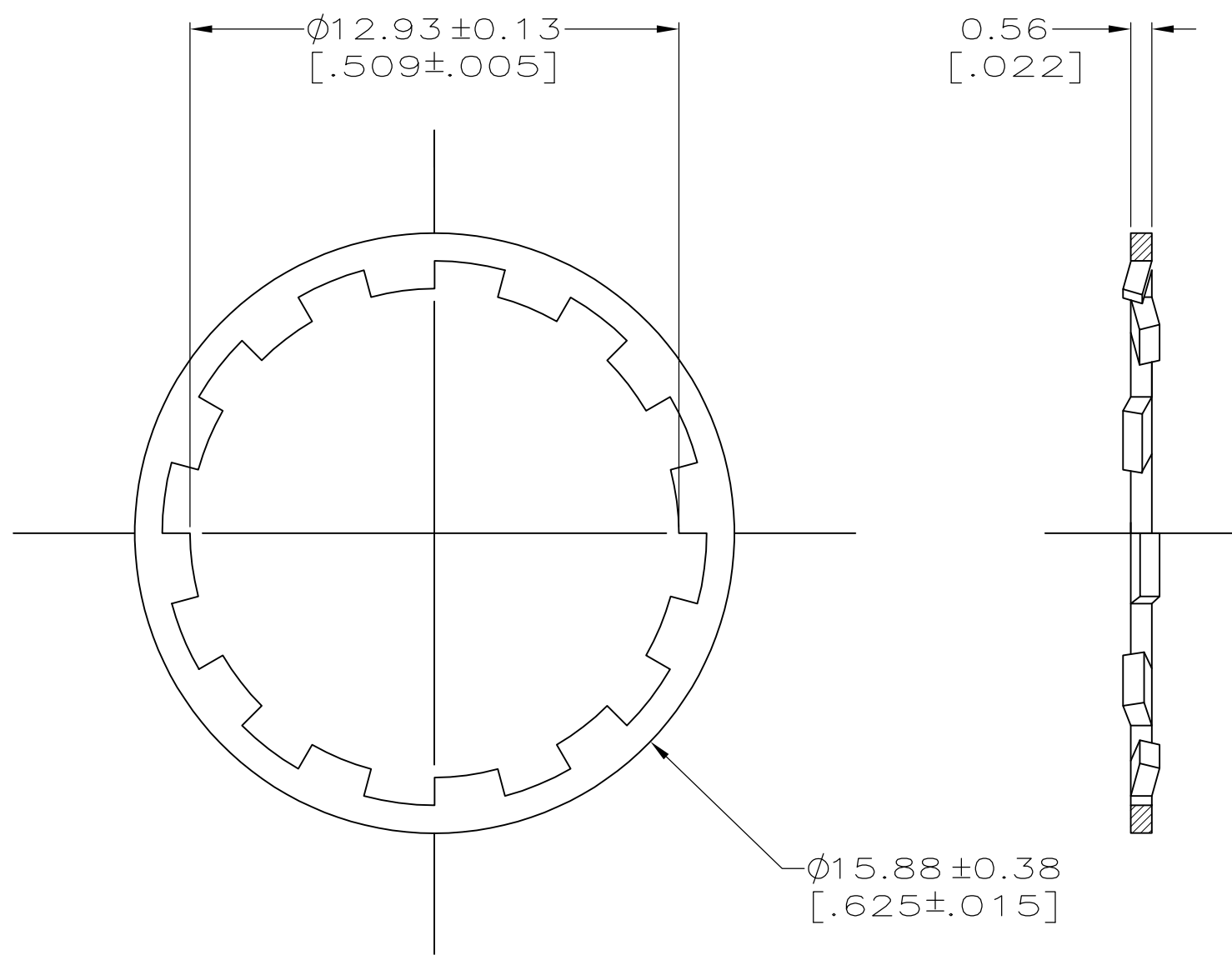
elektronikai alkatrész áruház

**EN:** This Datasheet is presented by the manufacturer.

Please visit our website for pricing and availability at [www.hestore.hu](http://www.hestore.hu).

THIS DRAWING IS UNPUBLISHED. RELEASED FOR PUBLICATION  
 © COPYRIGHT - By - ALL RIGHTS RESERVED.

LOC	DIST	REVISIONS					
		P	LTR	DESCRIPTION	DATE	DWN	APVD
AJ	16		F2	REVISED PER ECO-13-010921	11JUL2013	G.G	M.Y



- ① PHOSPHOR BRONZE PER QQ-B-750.
- ② SILVER PLATE PER QQ-S-365(NON-ROHS COMPLIANT).
- ③ NICKEL PLATE PER QQ-N-290.
- ④ GOLD PLATE PER MIL-G-45204,  $0.51\mu\text{m}$  [ $.000020$ ] MINIMUM THICK.
- ⑤ SILVER PLATE PER QQ-S-365(ROHS COMPLIANT)

⑤	9-329632-0
④	1-329632-5
③	1-329632-2
②	329632
FINISH	PART NUMBER

THIS DRAWING IS A CONTROLLED DOCUMENT.		DWN M. O'BRINE 29MAR01	<b>STE</b> TE Connectivity														
DIMENSIONS: mm [INCHES]		CHK B. MOYER 30MAR01															
TOLERANCES UNLESS OTHERWISE SPECIFIED:		APVD B. MOYER 30MAR01	NAME														
<table border="0"> <tr><td>0 PLC</td><td>± -</td></tr> <tr><td>1 PLC</td><td>± -</td></tr> <tr><td>2 PLC</td><td>± -</td></tr> <tr><td>3 PLC</td><td>± 0.20 [.008]</td></tr> <tr><td>4 PLC</td><td>± -</td></tr> <tr><td>ANGLES</td><td>± -</td></tr> </table>		0 PLC	± -	1 PLC	± -	2 PLC	± -	3 PLC	± 0.20 [.008]	4 PLC	± -	ANGLES	± -	PRODUCT SPEC	LOCKWASHER		
0 PLC	± -																
1 PLC	± -																
2 PLC	± -																
3 PLC	± 0.20 [.008]																
4 PLC	± -																
ANGLES	± -																
MATERIAL		APPLICATION SPEC	SIZE	CAGE CODE	DRAWING NO	RESTRICTED TO											
① SEE TABLE		WEIGHT [.009 oz]	A3	00779	C-329632	-											
CUSTOMER DRAWING			SCALE	SHEET	REV												
			6:1	1 OF 1	F2												