

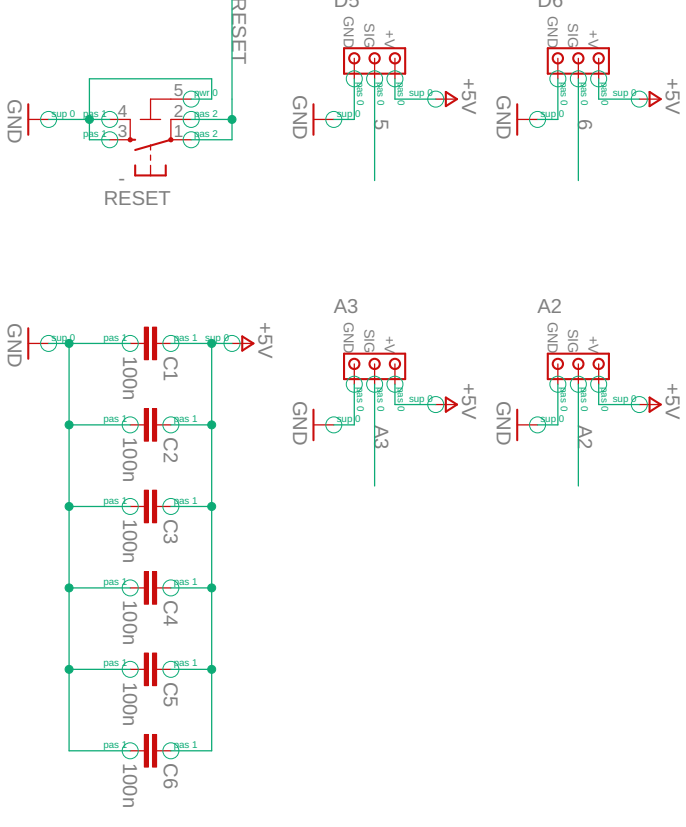
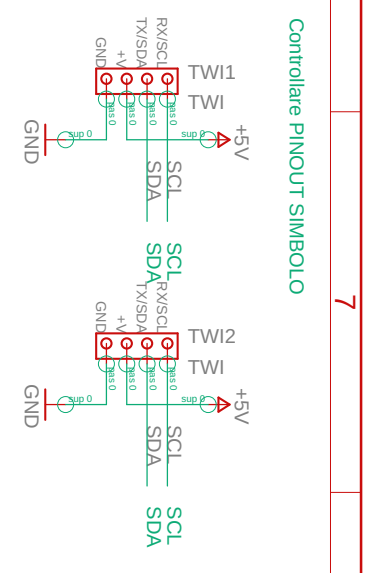
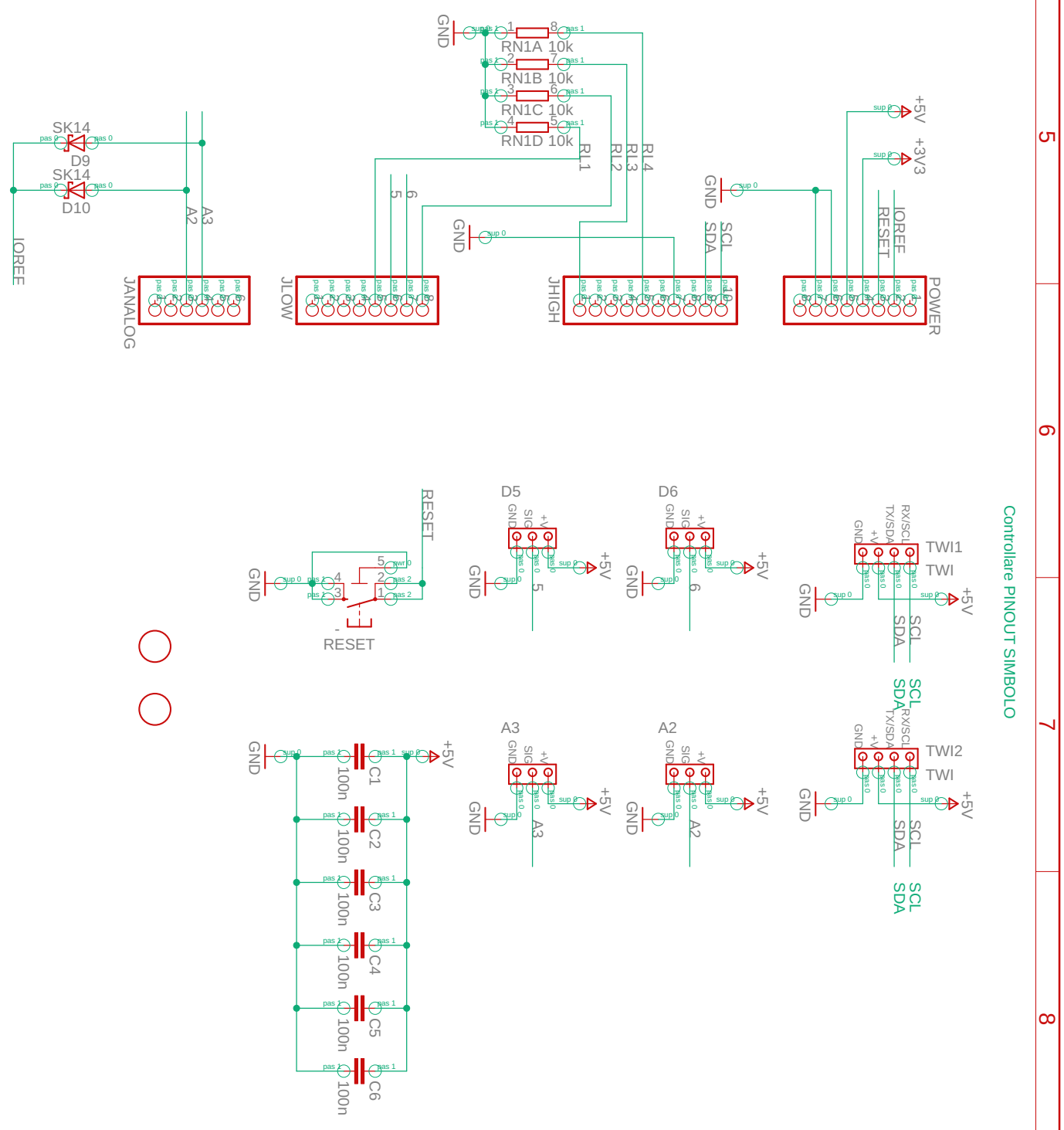
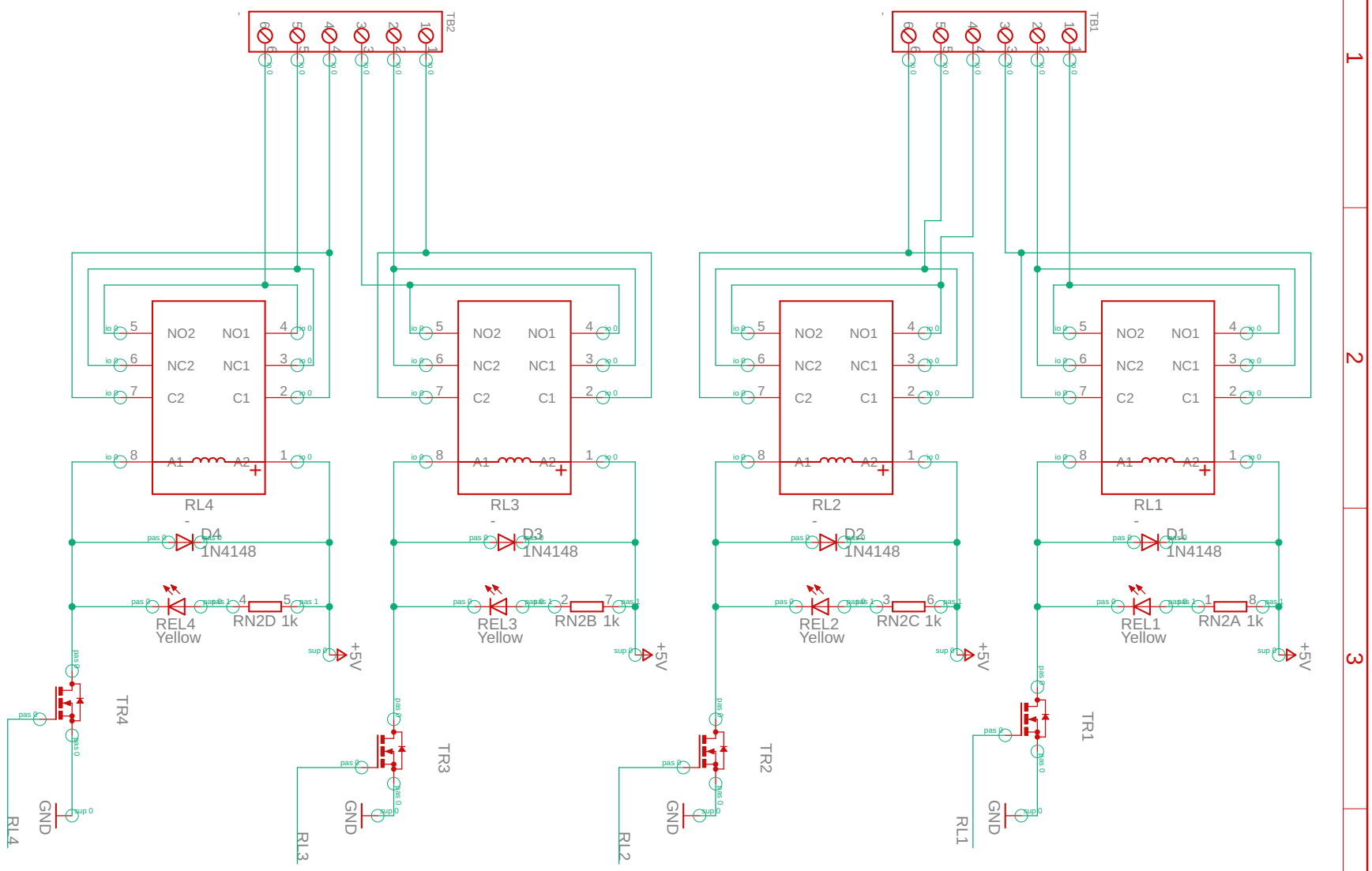


HESTORE.HU

elektronikai alkatrész áruház

EN: This Datasheet is presented by the manufacturer.

Please visit our website for pricing and availability at www.hestore.hu.



Reference Designs ARE PROVIDED "AS IS" AND "WITH ALL FAULTS." ARDUINO SA DISCLAIMS ALL OTHER WARRANTIES, EXPRESS OR IMPLIED, REGARDING PRODUCTS, INCLUDING BUT NOT LIMITED TO, ANY IMPLIED WARRANTIES OF MERCHANTABILITY OR FITNESS FOR A PARTICULAR PURPOSE. ARDUINO SA MAY MAKE CHANGES TO SPECIFICATIONS AND PRODUCT DESCRIPTIONS AT ANY TIME, WITHOUT NOTICE. THE CUSTOMER MUST NOT RELY ON THE ABSENCE OF CHARACTERISTICS OR INSTRUCTIONS MARKED "RESERVED" OR "UNDEFINED." ARDUINO SA RESERVES THE RIGHT TO CHANGE THE PRODUCT DESIGN AND SPECIFICATIONS WITHOUT NOTICE. DO NOT REPRODUCE OR TRANSMIT THIS INFORMATION TO ANY OTHER PERSON OR ENTITY. ARDUINO AND OTHER ARDUINO BRANDS AND LOGOS ARE TRADEMARKS OF ARDUINO SA. ALL ARDUINO SA TRADEMARKS CANNOT BE USED WITHOUT OWNER'S FORMAL PERMISSION.

Reference Designs ARE PROVIDED "AS IS" AND "WITH ALL FAULTS." ARDUINO SA DISCLAIMS ALL OTHER WARRANTIES, EXPRESS OR IMPLIED, REGARDING PRODUCTS, INCLUDING BUT NOT LIMITED TO, ANY IMPLIED WARRANTIES OF MERCHANTABILITY OR FITNESS FOR A PARTICULAR PURPOSE. ARDUINO SA MAY MAKE CHANGES TO SPECIFICATIONS AND PRODUCT DESCRIPTIONS AT ANY TIME, WITHOUT NOTICE. THE CUSTOMER MUST NOT RELY ON THE ABSENCE OF CHARACTERISTICS OR INSTRUCTIONS MARKED "RESERVED" OR "UNDEFINED." ARDUINO SA RESERVES THE RIGHT TO CHANGE THE PRODUCT DESIGN AND SPECIFICATIONS WITHOUT NOTICE. DO NOT REPRODUCE OR TRANSMIT THIS INFORMATION TO ANY OTHER PERSON OR ENTITY. ARDUINO AND OTHER ARDUINO BRANDS AND LOGOS ARE TRADEMARKS OF ARDUINO SA. ALL ARDUINO SA TRADEMARKS CANNOT BE USED WITHOUT OWNER'S FORMAL PERMISSION.

This project's hardware is licensed under the Creative Commons Attribution-ShareAlike 4.0 International License. To view a copy of this license, visit <https://creativecommons.org/licenses/by-sa/4.0/deed.en>